

图1 /Fig.1

FD20, 25, 30, 35, 40 (T)-MW

FD20, 25, 30, 35, 40 (T)-M2W

FD20, 25, 30, 35, 40 (T)-MG

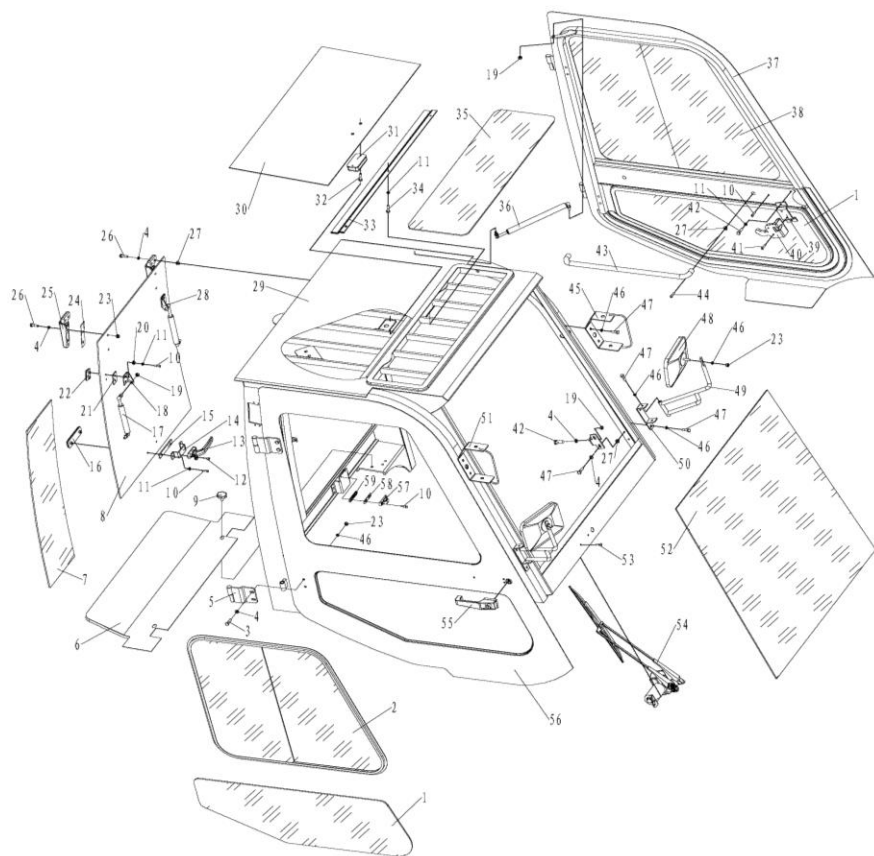
FD20, 25, 30, 35, 40 (T)-M2G

FG (L) 20, 25, 30, 35 (T)-MW

FG (L) 20, 25, 30, 35 (T)-M2W

FG20, 25, 30, 35 (T)-MGA

FG20, 25, 30, 35 (T)-M2GA



驾驶室及安装/Cabin ass'y mount

序号 Item No.	代号 Part No.	名称 Description	数量 Q'ty	备注 Remart
1	M30350-04004	Door glass(down)	2	
2	M30350-11200	window glass(right)	1	
3	GB/T5783-2000	Bolt M8×30	4	
4	GB/T97.1-2002	Washer 8	16	
5	M30350-22000	Door Hinge II	2	
—	M30350-24000	Door Hinge IV	2	
6	M30350-00031	Radiator cover	1	3T、3.5T、4T
—	M20350-00031	Radiator cover	1	2T、2.5T
7	M30350-14003	Rear windscreen(right)	1	
8	M30350-14004	Rear windscreen(left)	1	
9	M3036408000	Radiator cover bolt	2	
10	GB/T818-2000	Screw M6×15	14	
11	GB/T93-1987	Spring washer 6	21	
12	GB/T70.1-2000	Screw M4×15	4	
13	M30350-14300	Handle	1	
14	M30350-14009	Handle bracket	1	
15	M30350-14010	Rubber pad II	1	
16	M30350-14015	Rubber cap II	1	
17	M30350-14200	Gas springYQ16-100-280/130	2	
18	M30350-14002	bracket (right)	1	
19	GB/T889.1-2000	Nut M8	6	
20	GB/T97.1-2002	washer 6	16	
21	M30350-00011	Rubber gasket I	2	

图2/Fig. 2

驾驶室及安装/Cabin ass'y mount

FD20, 25, 30, 35, 40 (T)-MW

FD20, 25, 30, 35, 40 (T)-M2W

FD20, 25, 30, 35, 40 (T)-MG

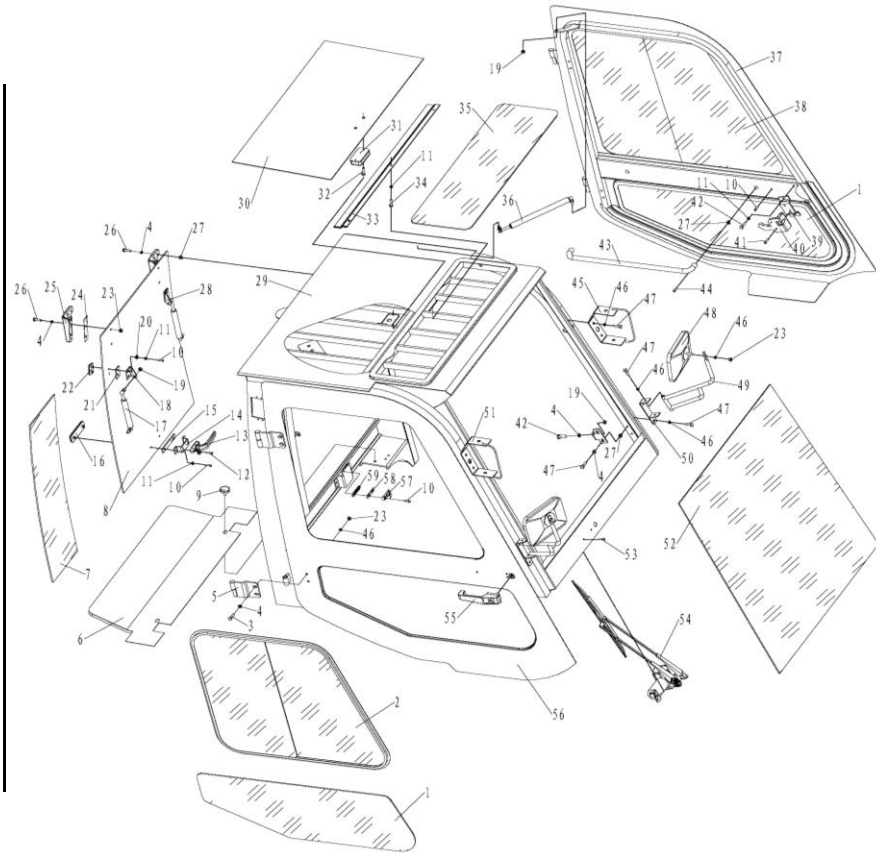
FD20, 25, 30, 35, 40 (T)-M2G

FG (L) 20, 25, 30, 35 (T)-MW

FG (L) 20, 25, 30, 35 (T)-M2W

FG20, 25, 30, 35 (T)-MGA

FG20, 25, 30, 35 (T)-M2GA

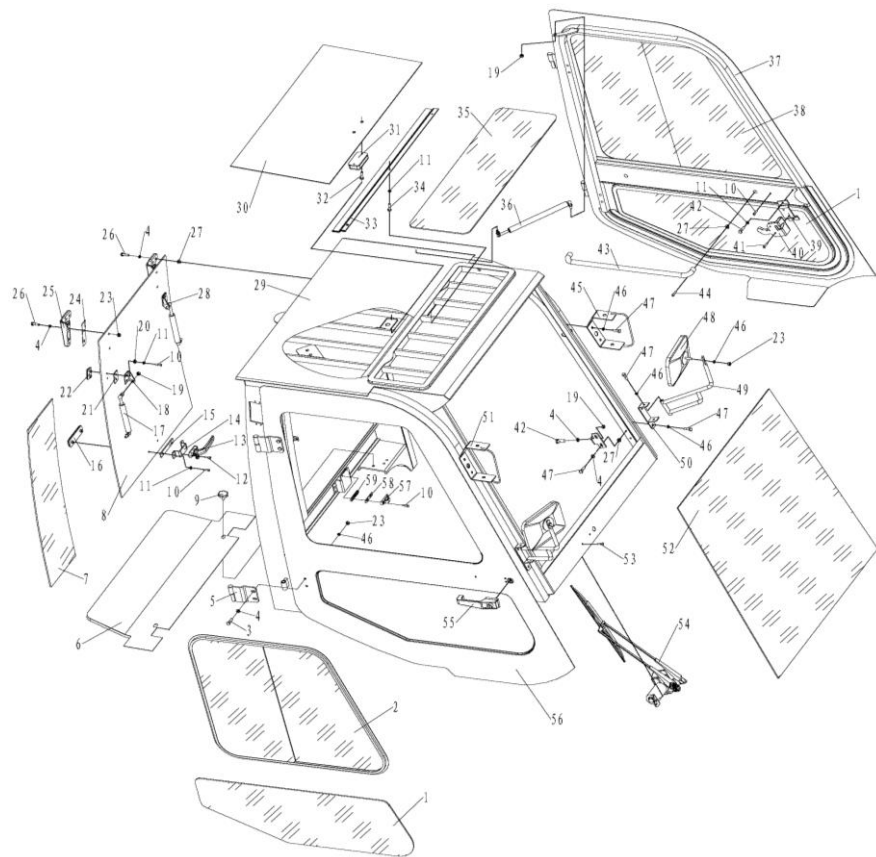


序号 Item No.	代号 Part No.	名称 Description	数量 Q'ty	备注 Remart
22	M30350-00010	Rubber cap I	2	
23	GB/T6170-2000	Nut M8	18	
24	M30350-14007	Rubber pad I	2	
25	M3036407000	Hinge(AI chrome)	2	
26	GB/T70.1-2000	Bolt M8x30	8	
27	GB/T17880.1-1999	Nut M8	16	
28	M30350-14001	bracket (left)	1	
29	M30350-01000Z	Overhead guard ass'y	1	
30	M30350-00008	Decorative sheet ass'y	1	
31	M30350-13000	Cabin light	1	
32	GB/T818-2000	Screw M4x25	2	
33	M30350-00007	Plate II	1	
34	GB/T5783-2000	Bolt M6x25	3	
35	M30350-00003Z	Roof glass	1	
36	M30350-15000	Gas springYQ16-100-280/130	2	
37	M30350-02100Z	Side door(left)	1	
38	M30350-04200	window glass(left)	1	
39	M30350-02102Z	lock bracket(left)	1	
—	M30350-03101Z	lock bracket(right)	1	
40	M30350-04400	door lock(left)	1	
—	M30350-11300	door lock(right)	1	
41	GB/T818-2000	Screw M6x20	4	
42	GB/T70.1-2000	Bolt M6x15	6	

图3/Fig. 3

FD20, 25, 30, 35, 40 (T)-MW  
 FD20, 25, 30, 35, 40 (T)-MG  
 FG (L) 20, 25, 30, 35 (T)-MW  
 FG20, 25, 30, 35 (T)-MGA

FD20, 25, 30, 35, 40 (T)-M2W  
 FD20, 25, 30, 35, 40 (T)-M2G  
 FG (L) 20, 25, 30, 35 (T)-M2W  
 FG20, 25, 30, 35 (T)-M2GA



驾驶室及安装/Cabin ass'y mount

序号 Item No.	代号 Part No.	名称 Description	数量 Q'ty	备注 Remart
43	M30350-04107	Handle	2	
44	GB/T70.1-2000	Bolt M8x45	4	
45	M30350-05000Z	Headlight bracket(left)	1	
46	GB/T93-1987	Spring washer 8	8	
47	GB/T5783-2000	Bolt M8x16	10	
48	M3036109000	Rearview mirror	2	
49	M30350-01000	Rearview mirror bracket I	2	
50	M30350-02000	Rearview mirror bracket II	2	
51	M30350-06000Z	Headlight bracket(right)	1	
52	M30350-00001Z	Front windscreen	1	
53	GB/T818-2000	Screw M5x10	1	
54	M30350-03000	Front windwaper	1	
55	M30350-04300	Door handle ass'y	2	
56	M30350-03100Z	Side door(right)	1	
57	M30350-14008	Handle bucket	1	
58	M30350-14011	Adjusting shim set I	1.3	
59	M30350-14012	Adjusting shim set II	1	