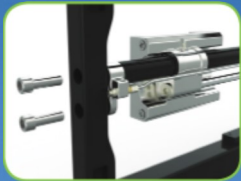
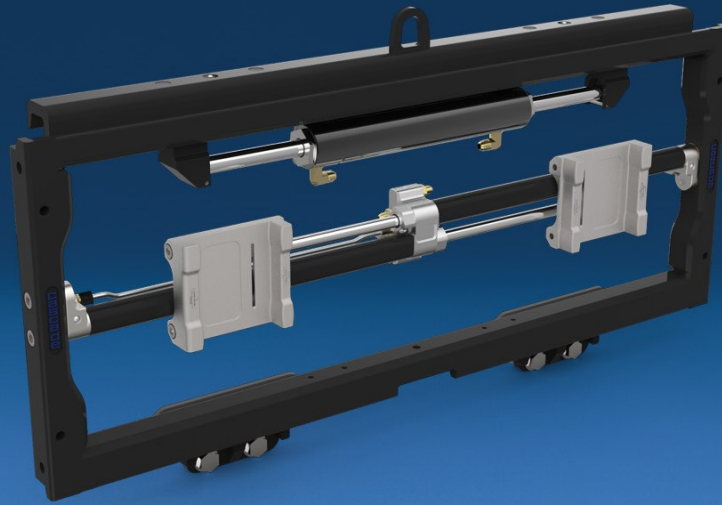


The 5,500 lb. Capacity Fork Positioner for Warehousing, Distribution and Manufacturing



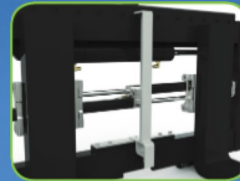
No-weld installation



Excellent operator visibility



OEM load backrest compatibility



Optional bolt-on pallet protector



Adjustable fork carriers

APPLICATIONS

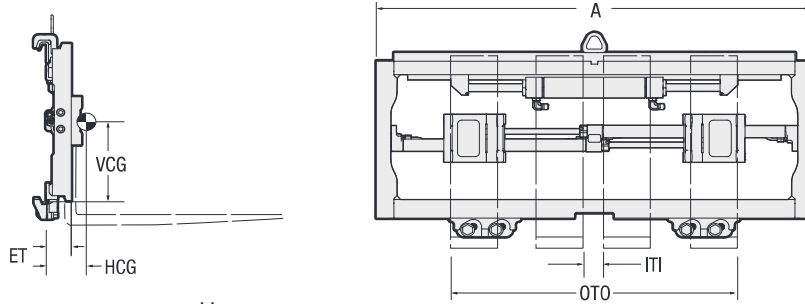
The 55K sideshifting Fork Positioner is recommended for trucks in distribution, warehousing and manufacturing operations. This high visibility fork positioner allows the operator to accurately position the forks from the driver's seat for handling a variety of pallet configurations.

FEATURES

- OEM load backrest compatibility.
- Excellent operator visibility.
- No-Weld Installation.
- Zinc plated, corrosion resistant components.
- Center mount, 4 inch wide fork carrier.

OPTIONS

- Combination 4- and 5-inch-wide fork carriers.
- Bolt-on pallet protector/cylinder guard combinations.
- Bronze bearings.
- Bronze lower hooks.
- OEM compatible load backrest.
- Radio Frequency Hydraulic Control.



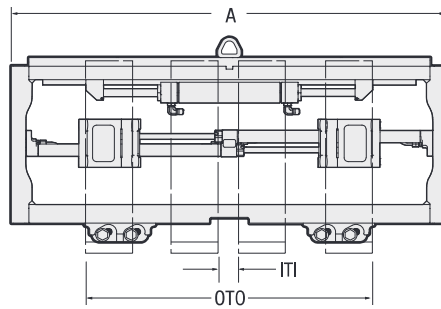
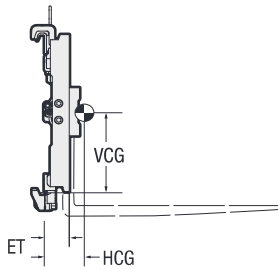
| Catalog Order No. | Capacity@ 24" (600 mm) Load Center | | Carriage Width w/o Load Backrest A | Opening Range ITI-OTO | Fork Pocket Width | Mtg. Class | Min. Truck Carriage Width | Weight | | Effective Thickness ET | Horizontal Ctr. of Gravity HCG | Vertical Ctr. of Gravity VCG | Total Sideshift | Load Backrest Type |
|--------------------|------------------------------------|-------|------------------------------------|-----------------------|-------------------|------------|---------------------------|--------|----|------------------------|--------------------------------|------------------------------|-----------------|--------------------|
| | lbs | kg | | | | | | lbs | kg | | | | | |
| Cascade | | | | | | | | | | | | | | |
| 55K-FPS-A056 | 5,500 | 2,500 | 31.0" | 2.0"-26.1" | 4" ① | II | 28.9" | 123 | 56 | 2.3" | 1.2" | 9.0" | 8" | A |
| 55K-FPS-A051 | 5,500 | 2,500 | 37.0" | 2.0"-32.1" | 4" ① | II | 35.2" | 136 | 62 | 2.3" | 1.2" | 8.9" | 8" | A |
| 55K-FPS-A052 | 5,500 | 2,500 | 41.0" | 2.0"-36.1" | 4" ① | II | 35.2" | 145 | 66 | 2.3" | 1.2" | 8.9" | 8" | A |
| 55K-FPS-A054 | 5,500 | 2,500 | 49.0" | 2.0"-44.1" | 4" ① | II | 40.9" | 163 | 74 | 2.3" | 1.2" | 8.8" | 8" | A |
| 55K-FPS-A356 | 5,500 | 2,500 | 31.0" | 2.0"-26.1" | 5" ② | II | 28.9" | 129 | 59 | 2.3" | 1.2" | 8.9" | 8" | A |
| 55K-FPS-A351 | 5,500 | 2,500 | 37.0" | 2.0"-32.1" | 5" ② | II | 35.2" | 142 | 65 | 2.3" | 1.2" | 8.9" | 8" | A |
| 55K-FPS-A352 | 5,500 | 2,500 | 41.0" | 2.0"-36.1" | 5" ② | II | 35.2" | 151 | 69 | 2.3" | 1.2" | 8.8" | 8" | A |
| 55K-FPS-A354 | 5,500 | 2,500 | 49.0" | 2.0"-44.1" | 5" ② | II | 40.9" | 172 | 78 | 2.3" | 1.2" | 8.8" | 8" | A |
| Caterpillar | | | | | | | | | | | | | | |
| 55K-FPS-A224 | 5,500 | 2,500 | 32.3" | 2.0"-27.4" | 4" ③ | II | 28.9" | 126 | 57 | 2.3" | 1.2" | 9.0" | 8" | A |
| 55K-FPS-A222 | 5,500 | 2,500 | 36.2" | 2.0"-31.3" | 4" ③ | II | 30.9" | 133 | 61 | 2.3" | 1.2" | 8.9" | 8" | A |
| 55K-FPS-A223 | 5,500 | 2,500 | 39.4" | 2.0"-34.4" | 4" | II | 35.2" | 142 | 64 | 2.3" | 1.2" | 8.9" | 8" | A |
| 55K-FPS-A332 | 5,500 | 2,500 | 36.2" | 2.0"-31.3" | 5" ① | II | 30.9" | 140 | 64 | 2.3" | 1.2" | 8.9" | 8" | A |
| 55K-FPS-A333 | 5,500 | 2,500 | 39.4" | 2.0"-34.4" | 5" ① | II | 35.2" | 148 | 64 | 2.3" | 1.2" | 8.9" | 8" | A |
| Clark | | | | | | | | | | | | | | |
| 55K-FPS-A056 | 5,500 | 2,500 | 31.0" | 2.0"-26.1" | 4" | II | 28.9" | 123 | 56 | 2.3" | 1.2" | 9.0" | 8" | A |
| 55K-FPS-A051 | 5,500 | 2,500 | 37.0" | 2.0"-32.1" | 4" | II | 35.2" | 136 | 62 | 2.3" | 1.2" | 8.9" | 8" | A |
| 55K-FPS-A052 | 5,500 | 2,500 | 41.0" | 2.0"-36.1" | 4" | II | 35.2" | 145 | 66 | 2.3" | 1.2" | 8.9" | 8" | A |
| 55K-FPS-A351 | 5,500 | 2,500 | 37.0" | 2.0"-32.1" | 5" ① | II | 35.2" | 142 | 65 | 2.3" | 1.2" | 8.9" | 8" | A |
| 55K-FPS-A352 | 5,500 | 2,500 | 41.0" | 2.0"-36.1" | 5" ① | II | 35.2" | 151 | 69 | 2.3" | 1.2" | 8.8" | 8" | A |
| Crown | | | | | | | | | | | | | | |
| 55K-FPS-A059 | 5,500 | 2,500 | 34.3" | 2.0"-29.4" | 4" | II | 30.9" | 130 | 59 | 2.3" | 1.2" | 9.1" | 8" | C |
| 55K-FPS-A062 | 5,500 | 2,500 | 34.5" | 2.0"-29.6" | 4" | II | 30.9" | 130 | 59 | 2.3" | 1.2" | 9.1" | 8" | A |
| 55K-FPS-A060 | 5,500 | 2,500 | 37.8" | 2.0"-32.8" | 4" | II | 35.2" | 139 | 63 | 2.3" | 1.2" | 8.9" | 8" | C |
| 55K-FPS-A063 | 5,500 | 2,500 | 38.0" | 2.0"-33.1" | 4" | II | 35.2" | 139 | 63 | 2.3" | 1.2" | 8.9" | 8" | A |
| 55K-FPS-A058 | 5,500 | 2,500 | 43.7" | 2.0"-38.8" | 4" | II | 38.4" | 152 | 69 | 2.3" | 1.2" | 8.9" | 8" | C |
| 55K-FPS-A361 | 5,500 | 2,500 | 31.5" | 2.0"-26.6" | 5" ① | II | 28.9" | 130 | 59 | 2.3" | 1.3" | 8.9" | 8" | A |
| 55K-FPS-A359 | 5,500 | 2,500 | 34.3" | 2.0"-29.4" | 5" ① | II | 30.9" | 136 | 62 | 2.3" | 1.2" | 8.9" | 8" | C |
| 55K-FPS-A362 | 5,500 | 2,500 | 34.5" | 2.0"-29.6" | 5" ① | II | 30.9" | 136 | 62 | 2.3" | 1.2" | 8.9" | 8" | A |
| 55K-FPS-A360 | 5,500 | 2,500 | 37.8" | 2.0"-32.8" | 5" ① | II | 35.2" | 143 | 65 | 2.3" | 1.2" | 8.9" | 8" | C |
| 55K-FPS-A363 | 5,500 | 2,500 | 38.0" | 2.0"-33.1" | 5" ① | II | 35.2" | 145 | 66 | 2.3" | 1.2" | 8.9" | 8" | A |
| 55K-FPS-A358 | 5,500 | 2,500 | 43.7" | 2.0"-38.8" | 5" ① | II | 38.4" | 158 | 72 | 2.3" | 1.2" | 8.9" | 8" | C |
| Doosan | | | | | | | | | | | | | | |
| 55K-FPS-A033 | 5,500 | 2,500 | 38.3" | 2.0"-33.4" | 4" | II | 35.2" | 139 | 63 | 2.3" | 1.2" | 9.1" | 8" | B |
| 55K-FPS-A034 | 5,500 | 2,500 | 43.4" | 2.0"-38.5" | 4" | II | 38.4" | 150 | 68 | 2.3" | 1.2" | 8.9" | 8" | B |
| 55K-FPS-A334 | 5,500 | 2,500 | 43.4" | 2.0"-38.5" | 5" ① | II | 38.4" | 156 | 71 | 2.3" | 1.2" | 8.7" | 8" | B |
| Hamech | | | | | | | | | | | | | | |
| 55K-FPS-A051 | 5,500 | 2,500 | 37.0" | 2.0"-32.1" | 4" | II | 35.2" | 136 | 62 | 2.3" | 1.2" | 8.9" | 8" | A |
| 55K-FPS-A052 | 5,500 | 2,500 | 41.0" | 2.0"-36.1" | 4" | II | 35.2" | 145 | 66 | 2.3" | 1.2" | 8.9" | 8" | A |
| 55K-FPS-A351 | 5,500 | 2,500 | 37.0" | 2.0"-32.1" | 5" ① | II | 35.2" | 142 | 64 | 2.3" | 1.2" | 8.9" | 8" | A |
| 55K-FPS-A352 | 5,500 | 2,500 | 41.0" | 2.0"-36.1" | 5" ① | II | 35.2" | 151 | 69 | 2.3" | 1.2" | 8.8" | 8" | A |

- ① Adjustable to 3" wide forks: Add 1.7" to minimum opening range.
- ② Adjustable to 3" and 4" wide forks. Add 3.3" and 1.7" to minimum opening range respectively.
- ③ Compatible with current OEM production.

► For forks longer than 72" or load centers exceeding 36", consult Cascade.

► In order to ensure that the unit best suited for the application is selected, consult Cascade.

► Load Backrest Types: A: End hole patterns
B: Face hole patterns C: Face hole patterns with counterbore


Sideshifting

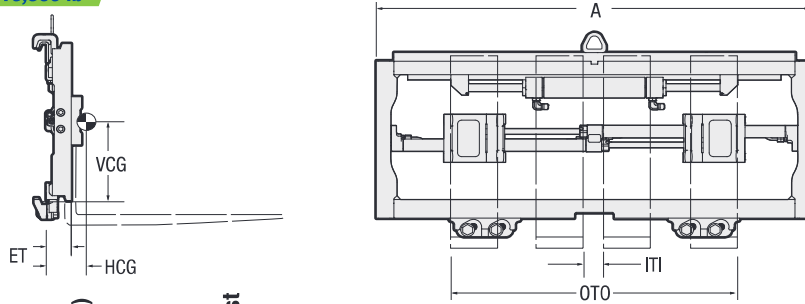
| Catalog Order No. | Capacity@ 24" (600 mm) Load Center | | Carriage Width w/o Load Backrest A | Opening Range ITI-OTO | Fork Pocket Width | Mtg. Class | Min. Truck Carriage Width | Weight | | Effective Thickness ET | Horizontal Ctr. of Gravity HCG | Vertical Ctr. of Gravity VCG | Total Sideshift | Load Backrest Type |
|---------------------------------------|------------------------------------|-------|---------------------------------------|--------------------------|-------------------|------------|---------------------------|--------|----|---------------------------|-----------------------------------|---------------------------------|-----------------|--------------------|
| | lbs | kg | | | | | | lbs | kg | | | | | |
| Hyundai | | | | | | | | | | | | | | |
| 55K-FPS-A105 | 5,500 | 2,500 | 41.7" | 2.0"-36.8" | 4" | II | 38.4" | 147 | 68 | 2.3" | 1.2" | 8.9" | 8" | A |
| Hyster | | | | | | | | | | | | | | |
| 55K-FPS-A045 | 5,500 | 2,500 | 35.7" | 2.0"-30.8" | 4" | II | 35.2" | 133 | 61 | 2.3" | 1.2" | 9.1" | 8" | C |
| 55K-FPS-A001 | 5,500 | 2,500 | 36.0" | 2.0"-31.1" | 4" | II | 35.2" | 134 | 61 | 2.3" | 1.2" | 9.1" | 8" | B |
| 55K-FPS-A030 | 5,500 | 2,500 | 38.5" | 2.0"-33.5" | 4" | II | 35.2" | 140 | 64 | 2.3" | 1.2" | 9.1" | 8" | C |
| 55K-FPS-A099 | 5,500 | 2,500 | 42.0" | 2.0"-37.1" | 4" | II | 38.4" | 147 | 67 | 2.3" | 1.2" | 8.9" | 8" | C |
| 55K-FPS-A390 | 5,500 | 2,500 | 36.2" | 2.0"-31.3" | 5" ① | II | 35.2" | 140 | 58 | 2.3" | 1.2" | 8.9" | 8" | A |
| 55K-FPS-A330 | 5,500 | 2,500 | 38.5" | 2.0"-33.5" | 5" ① | II | 35.2" | 145 | 66 | 2.3" | 1.2" | 8.9" | 8" | C |
| 55K-FPS-A391 | 5,500 | 2,500 | 40.2" | 2.0"-35.2" | 5" ① | II | 35.2" | 149 | 68 | 2.3" | 1.2" | 8.9" | 8" | A |
| 55K-FPS-A309 | 5,500 | 2,500 | 42.0" | 2.0"-37.1" | 5" ① | II | 38.4" | 154 | 70 | 2.3" | 1.2" | 8.9" | 8" | C |
| Komatsu | | | | | | | | | | | | | | |
| 55K-FPS-A056 | 5,500 | 2,500 | 31.0" | 2.0"-26.1" | 4" | II | 28.9" | 123 | 56 | 2.3" | 1.2" | 9.0" | 8" | A |
| 55K-FPS-A051 | 5,500 | 2,500 | 37.0" | 2.0"-32.1" | 4" | II | 35.2" | 136 | 62 | 2.3" | 1.2" | 8.9" | 8" | A |
| 55K-FPS-A052 | 5,500 | 2,500 | 41.0" | 2.0"-36.1" | 4" | II | 35.2" | 145 | 66 | 2.3" | 1.2" | 8.9" | 8" | A |
| 55K-FPS-A356 | 5,500 | 2,500 | 31.0" | 2.0"-26.1" | 5" ① | II | 35.2" | 129 | 58 | 2.3" | 1.3" | 8.9" | 8" | A |
| 55K-FPS-A351 | 5,500 | 2,500 | 37.0" | 2.0"-32.1" | 5" ① | II | 35.2" | 142 | 64 | 2.3" | 1.2" | 8.9" | 8" | A |
| 55K-FPS-A352 | 5,500 | 2,500 | 41.0" | 2.0"-36.1" | 5" ① | II | 35.2" | 151 | 69 | 2.3" | 1.2" | 8.8" | 8" | A |
| Linde | | | | | | | | | | | | | | |
| 55K-FPS-A198 | 5,500 | 2,500 | 38.6" | 2.0"-31.5" | 4" | II | 35.2" | 141 | 64 | 2.3" | 1.2" | 9.1" | 8" | B |
| 55K-FPS-A196 | 5,500 | 2,500 | 40.9" | 2.0"-33.8" | 4" | II | 35.2" | 144 | 65 | 2.3" | 1.2" | 8.9" | 8" | B |
| 55K-FPS-A199 | 5,500 | 2,500 | 45.3" | 2.0"-38.1" | 4" | II | 40.9" | 155 | 70 | 2.3" | 1.2" | 8.9" | 8" | B |
| 55K-FPS-A365 | 5,500 | 2,500 | 40.9" | 2.0"-33.8" | 5" ① | II | 35.2" | 151 | 69 | 2.3" | 1.2" | 8.8" | 8" | B |
| 55K-FPS-A366 | 5,500 | 2,500 | 45.3" | 2.0"-38.1" | 5" ① | II | 40.9" | 161 | 73 | 2.3" | 1.2" | 8.8" | 8" | B |
| Mitsubishi | | | | | | | | | | | | | | |
| 55K-FPS-A224 | 5,500 | 2,500 | 32.3" | 2.0"-27.4" | 4" | II | 28.9" | 126 | 57 | 2.3" | 1.2" | 9.0" | 8" | A |
| 55K-FPS-A222 | 5,500 | 2,500 | 36.2" | 2.0"-31.3" | 4" | II | 30.9" | 133 | 61 | 2.3" | 1.2" | 8.9" | 8" | A |
| 55K-FPS-A223 | 5,500 | 2,500 | 39.4" | 2.0"-34.4" | 4" | II | 35.2" | 142 | 64 | 2.3" | 1.2" | 8.9" | 8" | A |
| 55K-FPS-A332 | 5,500 | 2,500 | 36.2" | 2.0"-31.3" | 5" ① | II | 30.9" | 140 | 64 | 2.3" | 1.2" | 8.9" | 8" | A |
| 55K-FPS-A333 | 5,500 | 2,500 | 39.4" | 2.0"-34.4" | 5" ① | II | 35.2" | 148 | 64 | 2.3" | 1.2" | 8.9" | 8" | A |
| Nissan Forklift by Unicarriers | | | | | | | | | | | | | | |
| 55K-FPS-A470 | 5,500 | 2,500 | 32.4" | 2.0"-27.5" | 4" | II | 28.9" | 126 | 57 | 2.3" | 1.2" | 9.0" | 8" | A |
| 55K-FPS-A469 | 5,500 | 2,500 | 36.2" | 2.0"-31.3" | 4" | II | 35.2" | 134 | 61 | 2.3" | 1.2" | 8.9" | 8" | A |
| 55K-FPS-A471 | 5,500 | 2,500 | 40.2" | 2.0"-35.2" | 4" | II | 35.2" | 143 | 65 | 2.3" | 1.2" | 8.9" | 8" | A |
| 55K-FPS-A397 | 5,500 | 2,500 | 36.2" | 2.0"-31.3" | 5" ① | II | 35.2" | 140 | 64 | 2.3" | 1.2" | 8.9" | 8" | A |
| 55K-FPS-A398 | 5,500 | 2,500 | 40.2" | 2.0"-35.2" | 5" ① | II | 35.2" | 149 | 68 | 2.3" | 1.2" | 8.9" | 8" | A |
| Raymond | | | | | | | | | | | | | | |
| 55K-FPS-A163 | 5,500 | 2,500 | 35.4" | 2.0"-30.5" | 4" | II | 30.9" | 132 | 60 | 2.3" | 1.2" | 9.1" | 8" | A |
| 55K-FPS-A160 | 5,500 | 2,500 | 37.0" | 2.0"-32.1" | 4" | II | 35.2" | 136 | 62 | 2.3" | 1.2" | 8.9" | 8" | A |
| Schaeff | | | | | | | | | | | | | | |
| 55K-FPS-A028 | 5,500 | 2,500 | 37.5" | 2.0"-32.6" | 4" | II | 35.2" | 136 | 62 | 2.3" | 1.2" | 8.9" | 8" | A |

- ① Adjustable to 3" wide forks: Add 1.7" to minimum opening range.
- ② Adjustable to 3" and 4" wide forks. Add 3.3" and 1.7" to minimum opening range respectively.
- ③ Compatible with current OEM production.

► For forks longer than 72" or load centers exceeding 36", consult Cascade.

► In order to ensure that the unit best suited for the application is selected, consult Cascade.

► Load Backrest Types: A: End hole patterns
B: Face hole patterns C: Face hole patterns with counterbore



Sideshifting

| Catalog Order No. | Capacity@ 24" (600 mm) Load Center | | Carriage Width w/o Load Backrest | Opening Range | Fork Pocket Width | Mtg. Class | Min. Truck Carriage Width | Weight | | Effective Thickness | Horizontal Ctr. of Gravity | Vertical Ctr. of Gravity | Total Sideshift | Load Backrest Type |
|---------------------------|------------------------------------|-------|----------------------------------|---------------|-------------------|------------|---------------------------|--------|----|---------------------|----------------------------|--------------------------|-----------------|--------------------|
| | lbs | kg | | | | | | lbs | kg | | | | | |
| Tailift | | | | | | | | | | | | | | |
| 55K-FPS-A136 | 5,500 | 2,500 | 40.2" | 2.0"-35.2" | 4" | II | 35.2" | 143 | 65 | 2.3" | 1.2" | 8.9" | 8" | A |
| TCM by Unicarriers | | | | | | | | | | | | | | |
| 55K-FPS-A084 | 5,500 | 2,500 | 38.1" | 2.0"-33.2" | 4" | II | 35.2" | 139 | 63 | 2.3" | 1.2" | 8.9" | 8" | A |
| 55K-FPS-A081 | 5,500 | 2,500 | 40.9" | 2.0"-35.9" | 4" | II | 35.2" | 145 | 66 | 2.3" | 1.2" | 8.9" | 8" | A |
| 55K-FPS-A382 | 5,500 | 2,500 | 36.6" | 2.0"-31.7" | 5" ① | II | 35.2" | 141 | 64 | 2.3" | 1.2" | 8.9" | 8" | A |
| 55K-FPS-A381 | 5,500 | 2,500 | 40.9" | 2.0"-35.9" | 5" ① | II | 35.2" | 151 | 69 | 2.3" | 1.2" | 8.8" | 8" | A |
| Toyota | | | | | | | | | | | | | | |
| 55K-FPS-A011 | 5,500 | 2,500 | 31.9" | 2.0"-27.0" | 4" | II | 28.9" | 125 | 57 | 2.3" | 1.2" | 9.1" | 8" | A |
| 55K-FPS-A087 | 5,500 | 2,500 | 36.2" | 2.0"-31.3" | 4" | II | 30.9" | 134 | 61 | 2.3" | 1.2" | 9.1" | 8" | A |
| 55K-FPS-A086 | 5,500 | 2,500 | 40.2" | 2.0"-35.2" | 4" | II | 35.2" | 143 | 65 | 2.3" | 1.2" | 8.9" | 8" | A |
| 55K-FPS-A385 | 5,500 | 2,500 | 31.9" | 2.0"-27.0" | 5" ① | II | 28.9" | 132 | 60 | 2.3" | 1.3" | 9.1" | 8" | A |
| 55K-FPS-A387 | 5,500 | 2,500 | 36.2" | 2.0"-31.3" | 5" ① | II | 30.9" | 141 | 64 | 2.3" | 1.2" | 8.9" | 8" | A |
| 55K-FPS-A386 | 5,500 | 2,500 | 40.2" | 2.0"-35.2" | 5" ① | II | 35.2" | 150 | 68 | 2.3" | 1.2" | 8.9" | 8" | A |
| TUSK | | | | | | | | | | | | | | |
| 55K-FPS-A056 | 5,500 | 2,500 | 31.0" | 2.0"-26.1" | 4" | II | 28.9" | 123 | 56 | 2.3" | 1.2" | 9.0" | 8" | A |
| 55K-FPS-A051 | 5,500 | 2,500 | 37.0" | 2.0"-32.1" | 4" | II | 35.2" | 136 | 62 | 2.3" | 1.2" | 8.9" | 8" | A |
| 55K-FPS-A052 | 5,500 | 2,500 | 41.0" | 2.0"-36.1" | 4" | II | 35.2" | 145 | 66 | 2.3" | 1.2" | 8.9" | 8" | A |
| 55K-FPS-A356 | 5,500 | 2,500 | 31.0" | 2.0"-26.1" | 5" ① | II | 35.2" | 129 | 58 | 2.3" | 1.3" | 8.9" | 8" | A |
| 55K-FPS-A351 | 5,500 | 2,500 | 37.0" | 2.0"-32.1" | 5" ① | II | 35.2" | 142 | 64 | 2.3" | 1.2" | 8.9" | 8" | A |
| 55K-FPS-A352 | 5,500 | 2,500 | 41.0" | 2.0"-36.1" | 5" ① | II | 35.2" | 151 | 69 | 2.3" | 1.2" | 8.8" | 8" | A |
| Yale | | | | | | | | | | | | | | |
| 55K-FPS-A045 | 5,500 | 2,500 | 35.7" | 2.0"-30.8" | 4" | II | 35.2" | 133 | 61 | 2.3" | 1.2" | 9.1" | 8" | C |
| 55K-FPS-A042 | 5,500 | 2,500 | 42.0" | 2.0"-37.1" | 4" | II | 38.4" | 147 | 67 | 2.3" | 1.2" | 8.9" | 8" | A |
| 55K-FPS-A342 | 5,500 | 2,500 | 42.0" | 2.0"-37.1" | 5" ① | II | 38.4" | 147 | 67 | 2.3" | 1.2" | 8.9" | 8" | A |
| 55K-FPS-A030 | 5,500 | 2,500 | 38.5" | 2.0"-33.5" | 4" | II | 35.2" | 140 | 64 | 2.3" | 1.2" | 9.1" | 8" | C |
| 55K-FPS-A041 | 5,500 | 2,500 | 39.1" | 2.0"-34.1" | 4" | II | 35.2" | 141 | 64 | 2.3" | 1.2" | 9.1" | 8" | A |
| 55K-FPS-A009 | 5,500 | 2,500 | 42.0" | 2.0"-37.1" | 4" | II | 38.4" | 147 | 67 | 2.3" | 1.2" | 8.9" | 8" | C |
| 55K-FPS-A390 | 5,500 | 2,500 | 36.2" | 2.0"-31.3" | 5" ① | II | 35.2" | 140 | 58 | 2.3" | 1.2" | 8.9" | 8" | A |
| 55K-FPS-A330 | 5,500 | 2,500 | 38.5" | 2.0"-33.5" | 5" ① | II | 35.2" | 145 | 66 | 2.3" | 1.2" | 8.9" | 8" | C |
| 55K-FPS-A391 | 5,500 | 2,500 | 40.2" | 2.0"-35.2" | 5" ① | II | 35.2" | 149 | 68 | 2.3" | 1.2" | 8.9" | 8" | A |
| 55K-FPS-A309 | 5,500 | 2,500 | 42.0" | 2.0"-37.1" | 5" ① | II | 38.4" | 154 | 70 | 2.3" | 1.2" | 8.9" | 8" | C |

- ① Adjustable to 3" wide forks: Add 1.7" to minimum opening range.
- ② Adjustable to 3" and 4" wide forks. Add 3.3" and 1.7" to minimum opening range respectively.
- ③ Compatible with current OEM production.

► For forks longer than 72" or load centers exceeding 36", consult Cascade.

► In order to ensure that the unit best suited for the application is selected, consult Cascade.

► Load Backrest Types: A: End hole patterns
B: Face hole patterns C: Face hole patterns with counterbore