



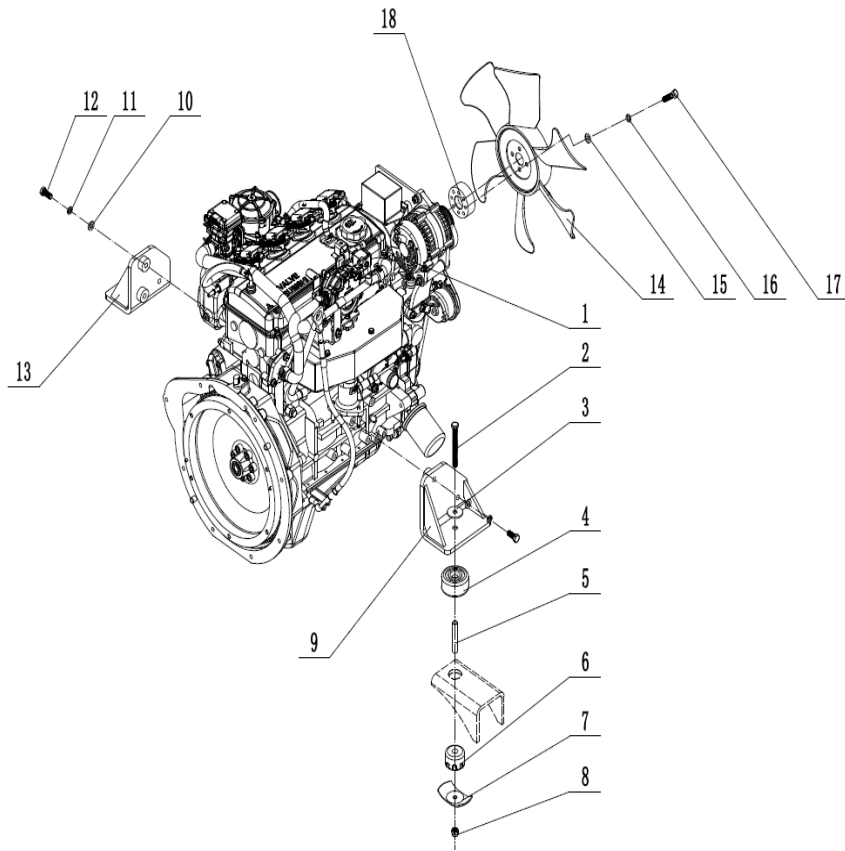


图3/Fig3.

## 发动机及安装(汽油机)/ENGINE (GASOLINE)

FGL25/30/35/40T-M3WG3

FG(L)25/30/35(T)-M3WA1, M3WA2, M3WA3



序号	物料代码	代号	名称	数量	备注
Item No.	ID NUMBER	Part No.	Description	Q'ty	Remark
A		-	ENGINE ASS'Y	1	
1	69003478	M30216N02000	NISSAN K25 Engine	1	2.5-3.5t (尼桑)
-	69073520	A30416SY01000	4G64 2.4L Engine (AEROSPACE MITSUBISHI)	1	2.5-x4t (沈阳三菱)
2	69135088	GB/T5782-2000-M10*100	Bolt M10×100	2	
3	69135089	M3031300001	Washer A	2	
4	69135090	M3031300003	Rubber damper A	2	
5	69135091	M3031300002	Steel casing	2	
6	69067117	M3031300004	Rubber damper B	2	
7	69135092	M3031300005	Washer B	2	
8		GB/T6182-M10-8.8级	Nut M10	2	
9	69101599	M30216N04000-Black	Engine bracket (left)	1	K25
		A30416SY02000A-Black	Engine bracket (left)	1	沈阳三菱 4G64
10	69000250	GB/T97.1-10	Washer 10	7	
11	69000053	GB/T93-10	Washer 10	7	
12	69000125	GB/T5783-M10*25-8.8J	Bolt M10×25	7	
13	69101598	M30216N03000-Black	Engine bracket (right)	1	K25
		A30416SY03000A-Black	Engine bracket (right)	1	沈阳三菱 4G64
14	69069925	35BJ16-04000	Fan φ440 (Multi-Wing)	1	仅沈阳三菱 4G64
15	69000085	GB/T96.1-8	Washer 8	4	仅沈阳三菱 4G64
16	69000062	GB/T93-8	Washer 8	4	仅沈阳三菱 4G64
17	69017795	GB/T5783-M8*50-8.8J	Bolt M8×50	4	仅沈阳三菱 4G64
18	69063547	A30416SY00001	Fan gasket	1	仅沈阳三菱 4G64











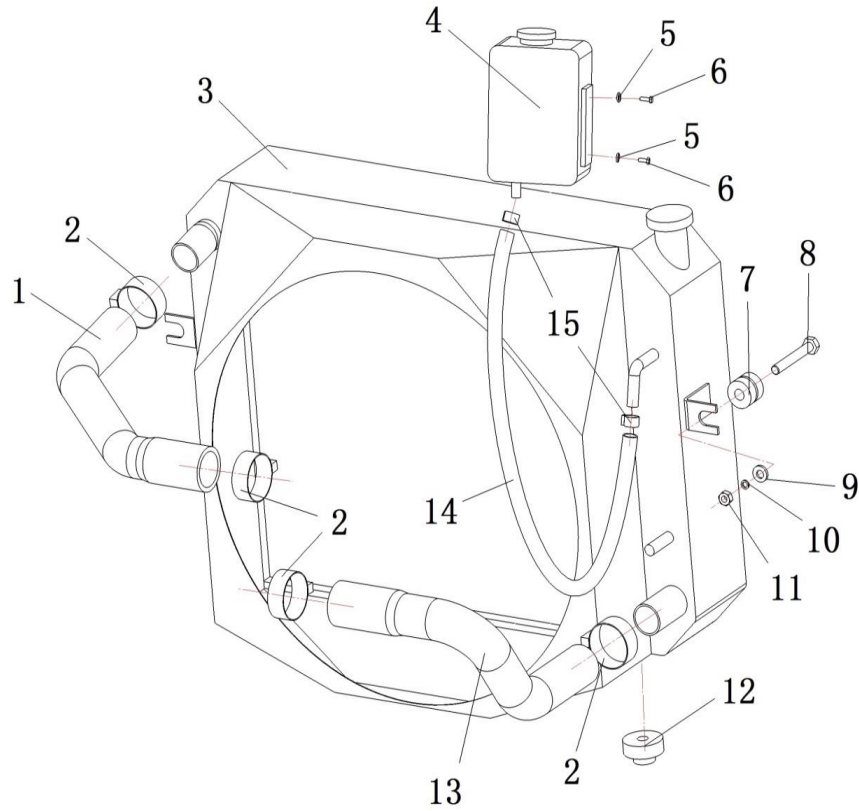




图10/Fig10.

冷却装置及安装/ COOLING SYSTEM

FD25/30/35/40T-M3WV3



序号	物料代码	代号	名称	数量	备注
Item No.	ID RUMBER	Part No.	Description	Q' ty	Remark
A		-	Cooling system	1	
1	69048043	M30421LS-00001	Water inlet hose	1	
2	69047169	JB/T8870-50-70	Hose Clamp d50	4	
3	69038036	M30421LL-01000	Radiator ass'y	1	管带式水箱
-	69090533	M30421LL-01000A(B)	Radiator ass'y	1	板翅式 (选配)
4	69065191	M30421LS-01000	Coolant recovery tank	1	
5	69000060	GB/T93-6	Washer 6	2	
6	69000190	GB/T5783-M6*16-8.8J	Bolt M6×16	2	
7	69001849	M3032100010	Rubber damper B	2	
8	69000289	M3032100012	Radiator bolt	2	
9	69000084	GB/T96.1-12	Washer 12	2	
10	69000085	GB/T96.1-8	Washer 8	2	
11	69000292	GB/T889.1-M8-8J	Nut M8	2	
12	69001850	M3032100009	Rubber damper A	2	
13	69026528	30421LL-00002	Water outlet hose	1	
14	69106537	M30221N00003	Rubber pipe Φ8×2-500	1	
15	69042429	JB/T8870-12-20	Hose Clamp d12-d20	2	







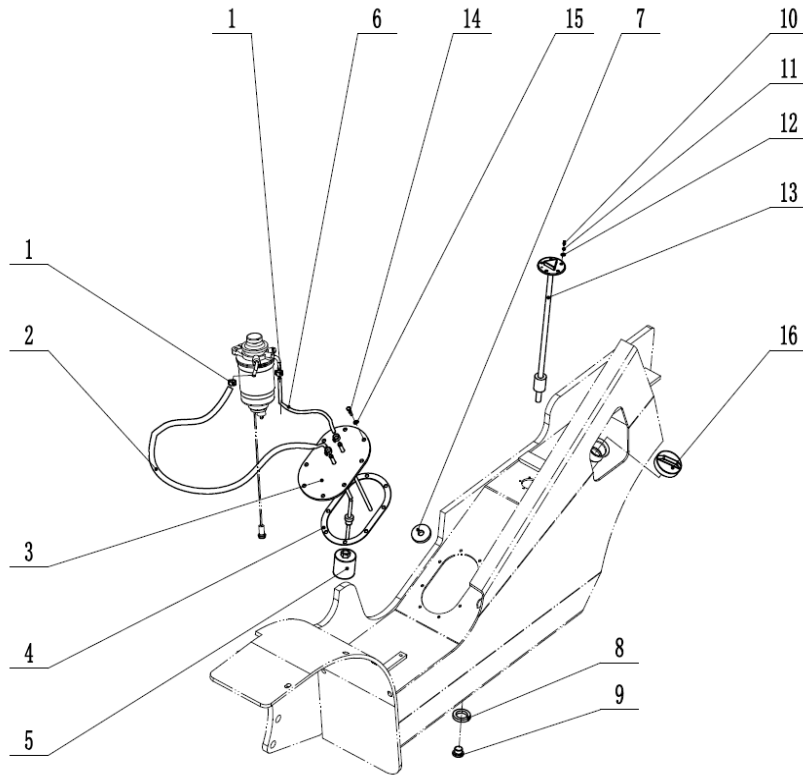


图15/Fig15.

燃油装置及安装/FUEL SYSTEM

FD25/30/35/40T-M3WV3

FD25(T)-M3WE1, M3WE3; FD30/35(T)-M3WE1, M3WE2, M3WE3; FD40T-M3WE3



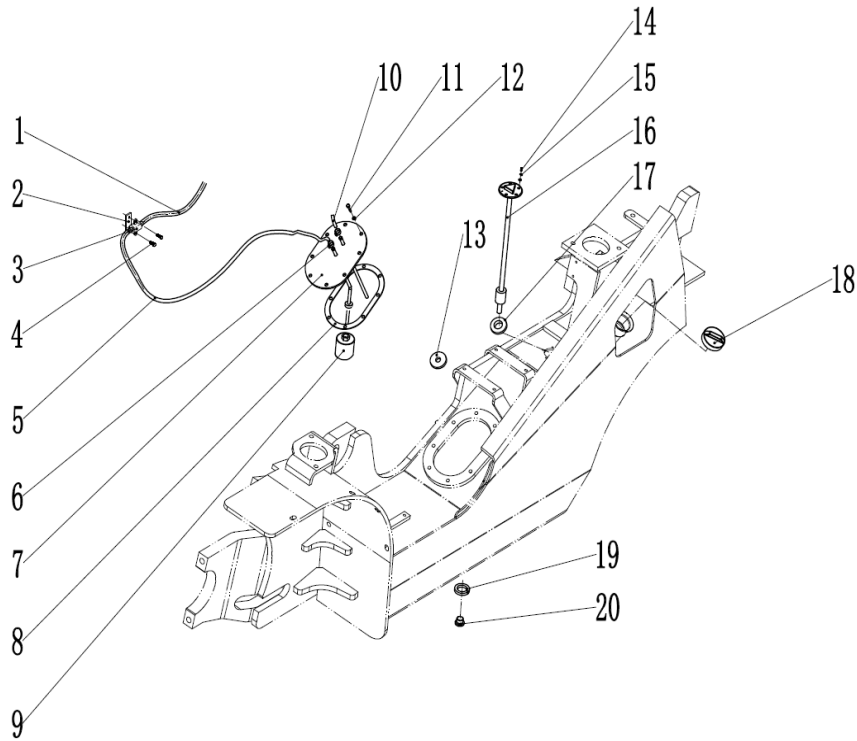
序号	物料代码	代号	名称	数量	备注
Item No.	ID NUMBER	Part No.	Description	Q'ty	Remark
A		-	FUEL SYSTEM ASS'Y	1	
1	69093431	QC/T390-1999	Hoop Φ16 (Double Wire)	4	
2	69105823	A30422SY00001	Hose Φ8×3-(900)	1	S4S-455
	69105817	M30422Y00001	Hose Φ6×3-(360)	1	YANMAR98
3	69001819	M3032201000	Cover plate ass'y	1	
4	69000679	M3032200007	Gasket	1	
5	69006121	M3032202000	Fuel filter	1	
6	69105815	M30422I00002	Hose Φ8×3-(800)	1	S4S-455
	69105818	M30422Y00002	Hose Φ6×3-(85)	2	YANMR98
7	69035702	M3032200003	Magnet Φ50×8	1	
8	69000357	JB/T982-20	Washer 20	1	
9	69003910	M3032200002	Drain plug	1	
10	69007977	GB/T818-M5*12-4.8J	Screw M5×12	5	
11	69000059	GB/T93-5	Washer 5	5	
12	69000257	GB/T97.1-5	Washer 5	5	
13	69011885	M3032204000	Fuel quantity sensor	1	
14	69000198	GB/T5783-M8*20-8.8J	Bolt M8×20	8	
15	69000062	GB/T93-8	Washer 8	8	
16	69001925	M3032200001	Oiling cap	1	

图16/Fig16.

燃油装置及安装/FUEL SYSTEM

FGL25/30/35 (T)-M3WA1, M3WA2, M3WA3

FD25/30/35 (T)-M3WB1, M3WB3



序号	物料代码	代号	名称	数量	备注
Item No.	ID NUMBER	Part No.	Description	Q'ty	Remark
A		-	FUEL SYSTEM ASS'Y	1	
1	69003147	M30422I00001	Hose Φ6×3-(160)	1	
2	69043096	M30222N00004	Gasoline filter holder	1	
3	69001793	M30222N01000	Gasoline filter	1	
4	69016549	GB/T70.1-M8*16-8.8J	Nut M8X16	1	
5	69105815	M30422I00002	Hose Φ6×3-(130)	1	
6	69093431	QC/T390-1999	Hoop Φ16 (Double Wire)	6	
7	69001819	M3032201000	Cover plate ass'y	1	
8	69000679	M3032200007	Seal gasket	1	
9	69006121	M3032202000	Fuel filter	1	
10	69042534	M30222N00003	Tubing seal cap	1	
11	69000198	GB/T5783-M8*20-8.8J	Bolt M8×20	10	
12	69000062	GB/T93-8	Washer 8	10	
13	69035702	M3032200003	Magnet Φ50×8	1	
14	69007977	GB/T818-M5*12-4.8J	Screw M5×12	5	
15	69000059	GB/T93-5	Washer 5	5	
16	69011885	M3032204000	Fuel quantity sensor	1	
17		M3032204001	Gasket	1	
18	69001925	M3032200001	Oiling cap	1	
19	69094104	JB982-77	Washer 20	1	
20	69003910	M3032200002	Drain plug	1	

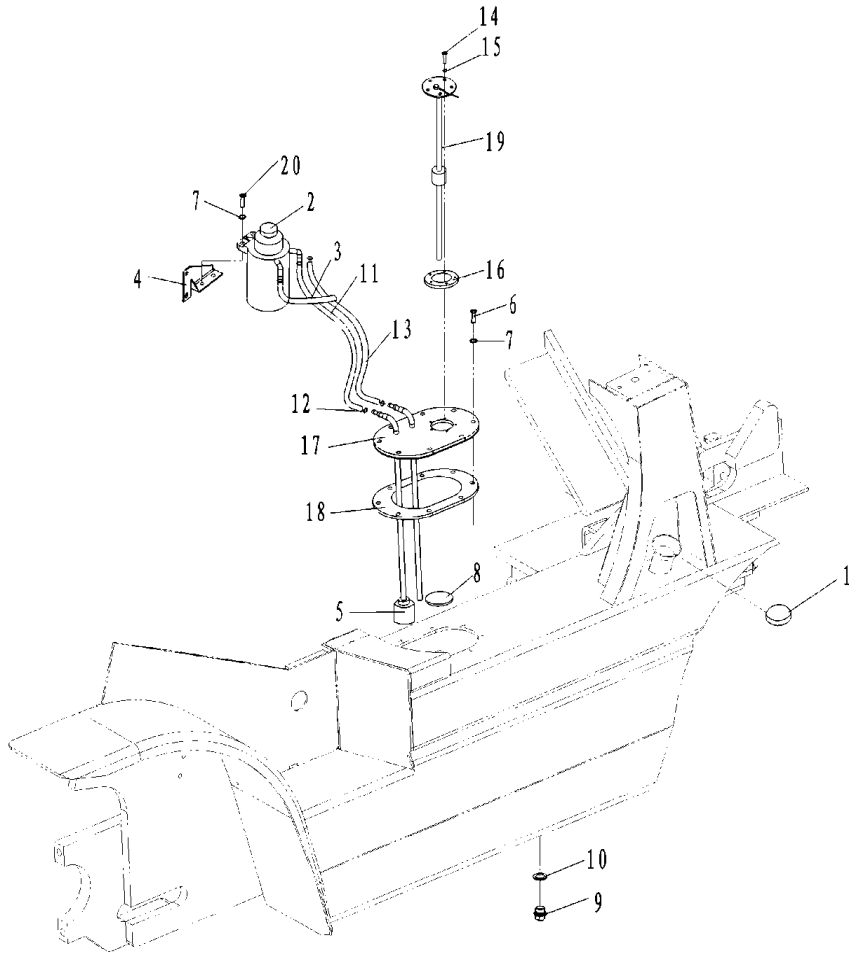


图17/Fig17.

燃油装置及安装/FUEL SYSTEM

FD30/35/40(T)-M3G(9)3, M3G(9)2, M3G(9)3; FD25/30/35/40T-M3G(2)3

F

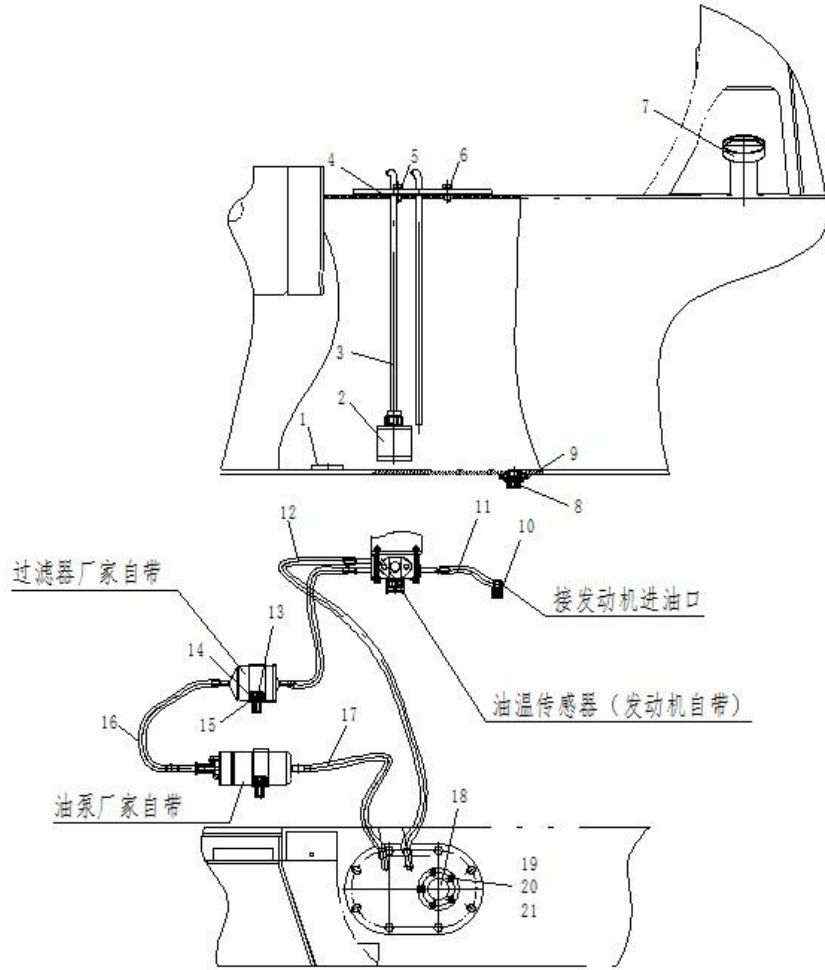


序号	物料代码	代号	名称	数量	备注
Item No.	ID NUMBER	Part No.	Description	Q'ty	Remark
A		-	FUEL SYSTEM ASS'Y	1	
1	69001925	M3032200001	Oiling cap	1	
2	69001953	M3032203000	Oil-water separator	1	
3	69105812	30422D-00002	Hose Φ6×3-(650)	1	
4		30422D-00001	Oil-water separator bracket	1	
5	69006121	M3032202000	Fuel filter	1	
6	69000198	GB/T5783-M8*20-8.8J	Bolt M8×20	8	
7	69000062	GB/T93-8	Washer 8	10	
8	69035702	M3032200003	Magnet Φ50×8	1	
9	69003910	M3032200002	Drain plug	1	
10	69094104	JB982-77	Washer 20	1	
11	69105813	30422D-00003	Hose Φ6×3-(270)	1	
12	69093431	QC/T390-1999	Hoop Φ16 (Double Wire)	6	
13	69127361	M3032200005	Hose Φ6×3-(550)	1	
14	69007977	GB/T818-M5*12-4.8J	Screw M5×12	5	
15	69000059	GB/T93-5	Washer 5	5	
16		M3032204001	Gasket	1	
17	69001819	M3032201000	Cover plate ass'y	1	
18	69000679	M3032200007	Gasket	1	
19	69011885	M3032204000	Fuel quantity sensor	1	
20	69059841	GB/T5783-M8*30-10.9J	Bolt M8×30	2	

图18/Fig18.

燃油装置及安装/FUEL SYSTEM

FD25/30/35/40T-M3WG3



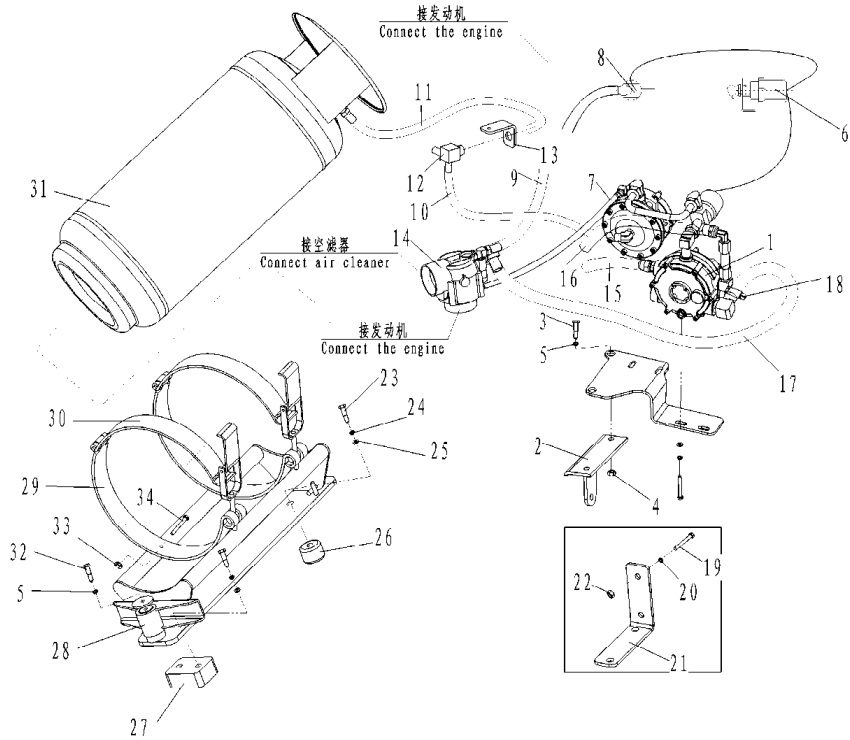
序号	物料代码	代号	名称	数量	备注
Item No.	ID NUMBER	Part No.	Description	Q'ty	Remark
1	69035702	M3032200003	Magnet Φ50×8	1	
2	69006121	M3032202000	Fuel filter	1	
3	69001819	M3032201000	Cover plate ass'y	1	
4	69000679	M3032200007	Gasket	1	
5	69000309	GB/T5783-M8*16-8.8J	Bolt M8X16	8	
6	69000062	GB/T93-8	Washer 8	8	
7	69001925	M3032200001	Oiling cap	1	
8	69003910	M3032200002	Drain plug	1	
9	69094104	JB982-77	Washer 20	1	
10	69042429	JB/T8870-12-20	Hose clamp d16	10	
11	69105822	A30422LL-00001	Hose Φ8×3-(600)	1	
12	69105823	A30422SY00001	Hose Φ8×3-(900)	2	
13	69000002	GB/T5783-M12*25-8.8J	Bolt M12X25	2	
14	69000054	GB/T93-12	Washer 12	2	
15	69000251	GB/T97.1-12	Washer 12	2	
16	69105824	A30422SY00002	Hose Φ8×3-(150)	1	
17	69105825	A30422SY00003	Hose Φ8×3-(300)	1	
18	69011885	M3032204000	Fuel quantity sensor	1	
19	69000059	GB/T93-5	Washer 5	5	
20	69007977	GB/T818-M5*12-4.8J	Screw M5x12	5	
21	69000257	GB/T97.1-5	Washer 5	5	

图19/Fig19.

转换装置及安装 (汽油机) / EXHAUST SYSTEM (GASOLINE)

FGL25/30/35/(T)-M3WA1/WA2/WA3

FL25/30/35/(T)-M3WA1/WA2/WA3



序号	物料代码	代号	名称	数量	备注
Item No.	ID NUMBER	Part No.	Description	Q'ty	Remark
A		-	Conversion System ASS'Y	1	
1	69100720	M30672N01000	Carburetor and filter ass'y	1	
2		M30672S00001	Bracket	1	
3	69000123	GB/T5783-M10*20-8.8J	Bolt M10×20	2	
4	69000103	GB/T6170-M10-8J	Nut M10	2	
5	69000053	GB/T93-10	Washer 10	3	
6	69136243	M30672N07000	GAS-LPG Switch	1	
7	69123797	M30672N00006	Vacuum hose	1	
8	69123800	M30672N04000	Solenoid valve	1	
9	69123798	M30672N00005	Hose	1	
10	69123799	M30672N05000	Gas hose	1	
11	69100636	M30672N06000	H.P. hose	1	
12	69067346	M30672N03000	Tee connector	1	
13	69007933	M30672N00002	Pressure release valve bracket	1	
14	69136246	M30672N02000	Mixer	1	
15	69127789	M30672N00004	Water hose	1	
16	69127790	M30672N00007	Water hose	1	
17	69123796	M30672N00003	Gas hose	1	
18	69036894	JB/T8870-16-25	Hose Φ16-Φ25	6	
19	69000198	GB/T5783-M8*20-8.8J	Bolt M8×20	2	
20	69000062	GB/T93-8	Washer 8	2	
21	69007932	M30672N00001	Bracket	1	
22	69000112	GB/T6170-M8-8J	Nut M8	2	
23	69023413	GB/T5782-M12*65-8.8J	Bolt M12×65	3	
24	69000054	GB/T93-12	Washer 12	3	



图20/Fig20.

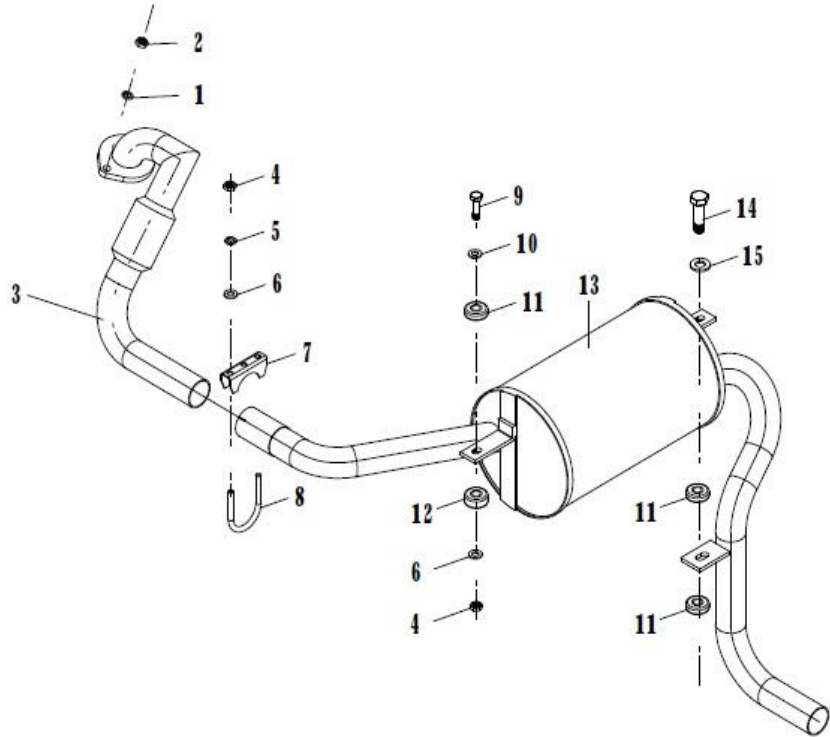
## 排气装置及安装/EXHAUST SYSTEM

FD25/30(T)-M3G(1)1, M3G(1)2, M3G(1)3 ; FD35-M3G(1)1

FD25/30/35(T)-M3G(16)1, M3(16)2, M3G(16)3

FD25/30/35(T)-M3G(5)1, M3G(5)2, M3G(5)3 ; FD38/40-M3G(5)1

FD25/30/35/40T-M3WV3



序号	物料代码	代号	名称	数量	备注
Item No.	ID RUMBER	Part No.	Description	Q' ty	Remark
A		-	Muffler Ass'y	1	
1	69000053	GB/T93-10	Washer 10	1	
2	69000313	GB/T6171-M10*1.25-8J	Nut M10×1.25	2	S4S-455
	69000103	GB/T6170-M10-8J	Nut M10	4	新柴
3	69047255	A3032301000	Exhaust pipe	1	2.5-3.5t(新柴)
-	69024739	40323X-01000A	Exhaust pipe	1	3.8-x4t(新柴)
-	69057696	A30423LL01000	Exhaust pipe	1	2.5-3.5t(S4S-455)
	69028457	40423XLL-01000	Exhaust pipe	1	x4t(S4S-455)
4	69000292	GB/T889.1-M8-8J	Nut M8	4	
5	69000062	GB/T93-8	Washer 8	2	
6	69000259	GB/T97.1-8	Washer 8	4	
7	69015167	M3032300003	Stopper	1	
8	69015166	M3032300004	U-Bolt	1	
9	69087428	M3032300001A	Muffler bolt	2	
10	69000053	GB/T93-10	Washer 10	2	
11	69065608	A30423-00002	Rubber damper	4	
12	69001992	M3032300002	Rubber damper(Withstanding Heat)	2	
13	69042714	A20423LL-01000	Muffler	1	2.5t(新柴)
-	69042695	A30423LL-01000	Muffler	1	3-3.5t(新柴)
	69062975	A30423LL-01000/K	Muffler	1	3-3.5t(新柴 颗粒净化 选配)
-	69076736	S40423XLS01000	Muffler	1	3.8-x4t(新柴), x4t(S4S-455)
14	69039549	A30423-00001	Step bolt	1	
15	69000251	GB/T97.1-12	Washer 12	1	

图21/Fig21.

## 排气装置及安装/EXHAUST SYSTEM

FD25 (T) -M3WE1, M3WE3; FD30/35 (T) -M3WE1, M3WE2, M3WE3; FD40T-M3WE3

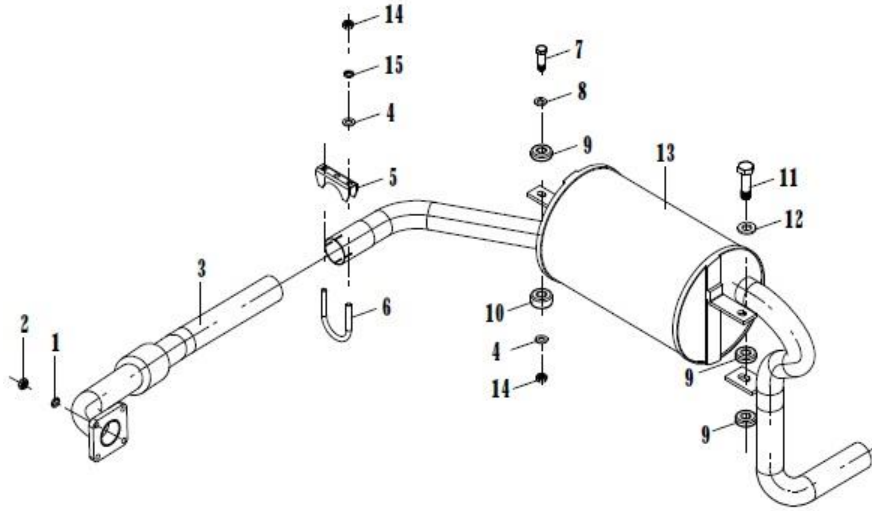
FG (L) 25/30/35 (T) -M2WA1/M2WA2/M2WA3

FD25/30/35 (T) -MG (2) 1/MG (2) 2/MG (2) 3

FD30/35/40 (T) -M3G (9) 3, M3G (9) 2, M3G (9) 3; FD25/30/35/40T-M3G (2) 3

FD25/30 (T) -M3G (8) 1/M3G (8) 2/M3G (8) 3; FD35-M3G (8) 1

FD25/30/35 (T) -M3WB1, M3WB



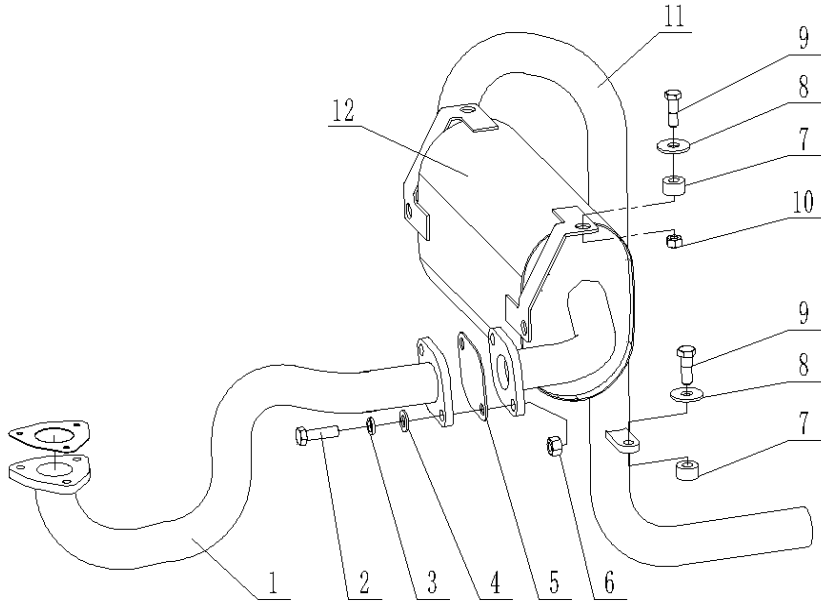
序号	物料代码	代号	名称	数量	备注
Item No.	ID RUMBER	Part No.	Description	Q' ty	Remark
A		-	Muffler Ass'y	1	
1	69000062	GB/T93-8	Washer 8	4	YANMAR98, 大柴
	69000062	GB/T93-8	Washer 8	2	K25
	69000053	GB/T93-10	Washer 10	4	C240
2	69000112	GB/T6170-M8-8J	Nut M8	4	YANMAR98, 大柴
	69000112	GB/T6170-M8-8J	Nut M8	2	K25
	69000103	GB/T6170-M10-8J	Nut M10	4	C240
3	69072151	S30423Y01000	Exhaust pipe	1	YANMAR98
	69054291	A30223N01000	Exhaust pipe	1	K25
	69059317	A30423D-01000	Exhaust pipe	1	2.5-3.5t (大柴)
	69089276	MJ35423D-00001 (III)	Exhaust pipe	1	仅3.5t (大柴CA498-06T3R)
	69077483	M40423XD-00001 (III)	Exhaust pipe	1	x4t (大柴)
	69072717	S30423I01000	Exhaust pipe	1	C240
4	69000259	GB/T97.1-8	Washer 8	4	
5	69015167	M3032300003	Stopper	1	
6	69015166	M3032300004	U-bolt	1	
7	69087428	M3032300001A	Muffler bolt	2	
8	69006706	GB/T96.1-10	Washer 10	2	
9	69065608	A30423-00002	Rubber damper	4	
10	69001992	M3032300002	Rubber damper	2	
11	69039549	A30423-00001	Step bolt	1	
12	69000251	GB/T97.1-12	Washer 12	1	
13	69039550	A20423-01000	Muffler	1	2.5t
	69034298	A30423-01000	Muffler	1	3-3.5t
	69130236	MJ40423XD-00000 (III)	Muffler	1	x4t (YANMAR98, 大柴)



图22/Fig22.

排气装置及安装/EXHAUST SYSTEM

FD25/30/35/40T-M3WG3



序号	物料代码	代号	名称	数量	备注
Item No.	ID NUMBER	Part No.	Description	Q'ty	Remark
A		-	Muffler Ass'y	1	AEROSPACE MITSUBISHI 4G64 2.4L
1	69063568	A30423SY01000	Exhaust pipe	1	
2	69000155	GB/T5783-M12*40-8.8J	Bolt M12×40	4	
3	69000054	GB/T93-12	Washer 12	4	
4	69000251	GB/T97.1-12	Washer 12	4	
5	69063571	A30423SY00001	Gasket	2	
6	69010313	GB/T889.1-M12-8J	Nut M12	4	
7	69001992	M3032300002	Rubber damper	2	
8	69006706	GB/T96.1-10	Washer 10	2	
9	69039549	A30423-00001	Step bolt	2	
10	69000292	GB/T889.1-M8-8J	Nut M8	2	
11	69063582	A30423SY04000	Exhaust pipe	1	
12	69063581	A30423SY03000	Muffler	1	



图23/Fig23.

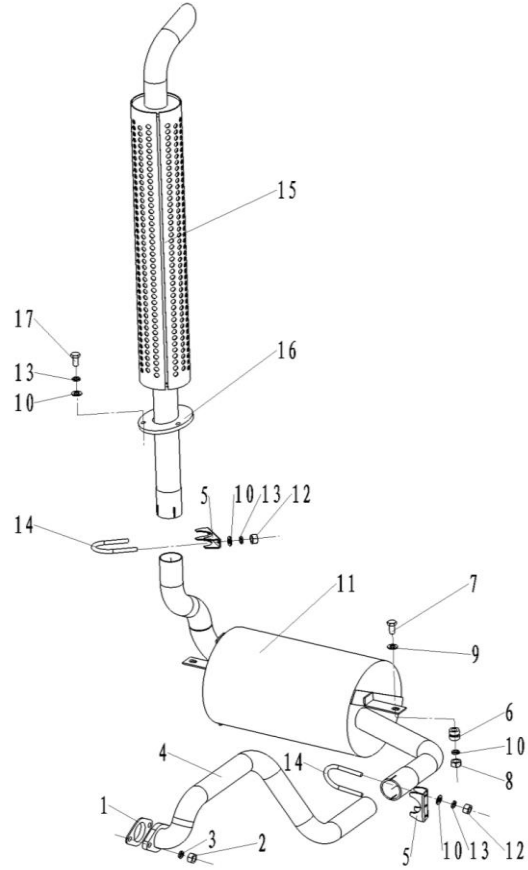
## 排气装置及安装/EXHAUST SYSTEM

FD25/30(T)-M3G(1)1, M3G(1)2, M3G(1)3 ; FD35-M3G(1)1

FD25/30/35(T)-M3G(16)1, M3(16)2, M3G(16)3

FD25/30/35(T)-M3G(5)1, M3G(5)2, M3G(5)3 ; FD38/40-M3G(5)1

FD25/30/35/40T-M3WV3



序号	物料代码	代号	名称	数量	备注
Item No.	ID RUMBER	Part No.	Description	Q' ty	Remark
A		-	Muffler Ass'y	1	
1	-	-	Washer	1	Comes with the engine NSS
2	69000313	GB/T6171-M10*1.25-8J	Nut M10×1.25	2	
3	69000053	GB/T93-10	Washer 10	2	
4	69022831	M3032302000A	Exhaust pipe	1	2.5-3.5t (新柴)
-	69026531	30423LL-01000	Exhaust pipe	1	2.5-3.5t (S4S-455)
-	69024739	40323X-01000A	Exhaust pipe	1	3.8-x4t (新柴)
-	69028457	40423XLL-01000	Exhaust pipe	1	x4t (S4S-455)
5	69015167	M3032300003	Stopper	2	
6	69015526	M3032300002-1	Rubber pad (Withstanding Heat)	2	
7	69087428	M3032300001A	Muffler Bolt	2	
8	69000292	GB/T889.1-M8-8J	Nut M8	2	
9	69000250	GB/T97.1-10	Washer 10	2	
10	69000259	GB/T97.1-8	Washer 8	9	
11	69040383	30S23-01000B	Muffler ass'y	1	2.5-3.5t
-		30S23-01000B/C	Muffler ass'y	1	2.5-3.5t (三元催化 选配)
-		30S23-01000B/K	Muffler ass'y	1	2.5-3.5t (颗粒净化 选配)
-	69040394	40S23-01000B	Muffler ass'y	1	3.8-x4t
-		40S23-01000B/C	Muffler ass'y	1	3.8-x4t (三元催化 选配)
-		40S23-01000B/K	Muffler ass'y	1	3.8-x4t (颗粒净化 选配)
12	69000112	GB/T6170-M8-8J	Nut M8	4	
13	69000062	GB/T93-8	Washer 8	7	
14	69015166	M3032300004	U-Bolt	2	
15	69040504	20S23-02000	Vertical exhaust	1	2-2.5t
	69001667	30S23-02000	Vertical exhaust	1	3-3.5t



图24/Fig24.

## 排气装置及安装/EXHAUST SYSTEM

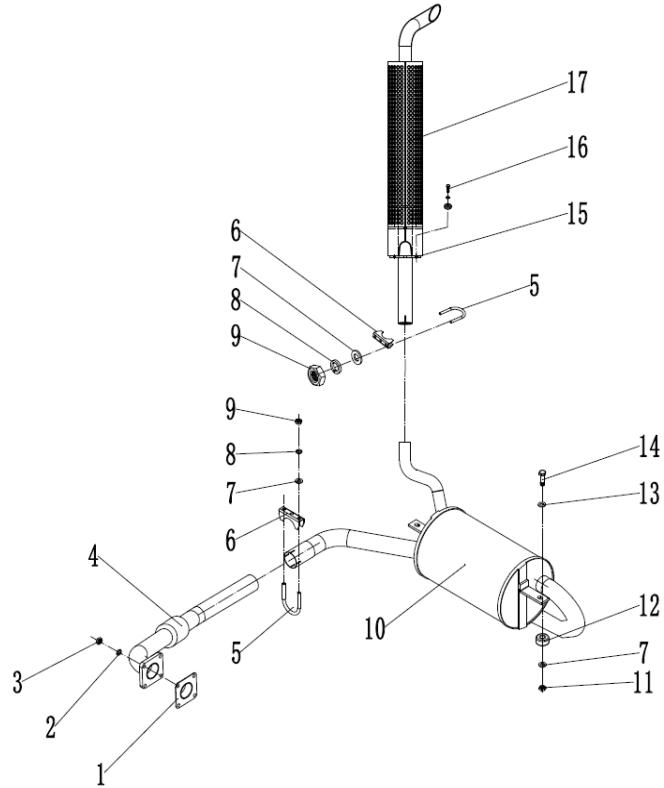
FD25 (T) -M3WE1, M3WE3; FD30/35 (T) -M3WE1, M3WE2, M3WE3; FD40T-M3WE3

FG (L) 25/30/35 (T) -M2WA1/M2WA2/M2WA3; FD25/30/35 (T) -M3WB1, M3WB

FD25/30/35 (T) -MG (2) 1/MG (2) 2/MG (2) 3

FD30/35/40 (T) -M3G (9) 3, M3G (9) 2, M3G (9) 3; FD25/30/35/40T-M3G (2) 3

FD25/30 (T) -M3G (8) 1/M3G (8) 2/M3G (8) 3; FD35-M3G (8) 1



序号	物料代码	代号	名称	数量	备注
Item No.	ID RUMBER	Part No.	Description	Q' ty	Remark
A		-	Muffler Ass'y	1	
1	N/A	-	Washer	1	发动机自带Comes with the engine NSS
2	69000053	GB/T93-10	Spring washer 10	4	
3	69000313	GB/T6171-M10*1.25-8J	Nut M10×1.25	4	
4	69079668	M30423I02000A	Exhaust pipe	1	
-	69001774	M30423Y01000	Exhaust pipe	1	YANMAR98
-	69002754	M30223N01000	Exhaust pipe	1	NISSAN
-	69012688	30423D-01000	Exhaust pipe	1	大柴
5	69015166	M3032300004	U-Bolt	2	
6	69015167	M3032300003	Stopper	2	
7	69000259	GB/T97.1-8	Washer 8	9	
8	69000062	GB/T93-8	Washer 8	7	
9	69000112	GB/T6170-M8-8J	Nut M8	4	
10	69040386	30S23A-01000B	Muffler ass'y	1	2.5-3.5t
-		30S23A-01000B/C	Muffler ass'y	1	2.5-3.5t(三元催化 选配)
-		30S23A-01000B/K	Muffler ass'y	1	2.5-3.5t(颗粒净化 选配)
-	69040397	40S23A-01000B	Muffler ass'y	1	x4t
-		40S23A-01000B/C	Muffler ass'y	1	x4t(三元催化 选配)
-		40S23A-01000B/K	Muffler ass'y	1	x4t(颗粒净化 选配)
11	69000292	GB/T889.1-M8-8J	Nut M8	2	
12	69001992	M3032300002	Rubber pad (Withstanding Heat)	2	
13	69000250	GB/T97.1-10	Washer 10	2	
14	69087428	M3032300001A	Muffler Bolt	2	
15	69069037	30S23-00001	Asbestos cushion	1	
16	69000200	GB/T5783-M8*25-8.8J	Bolt M8×25	3	



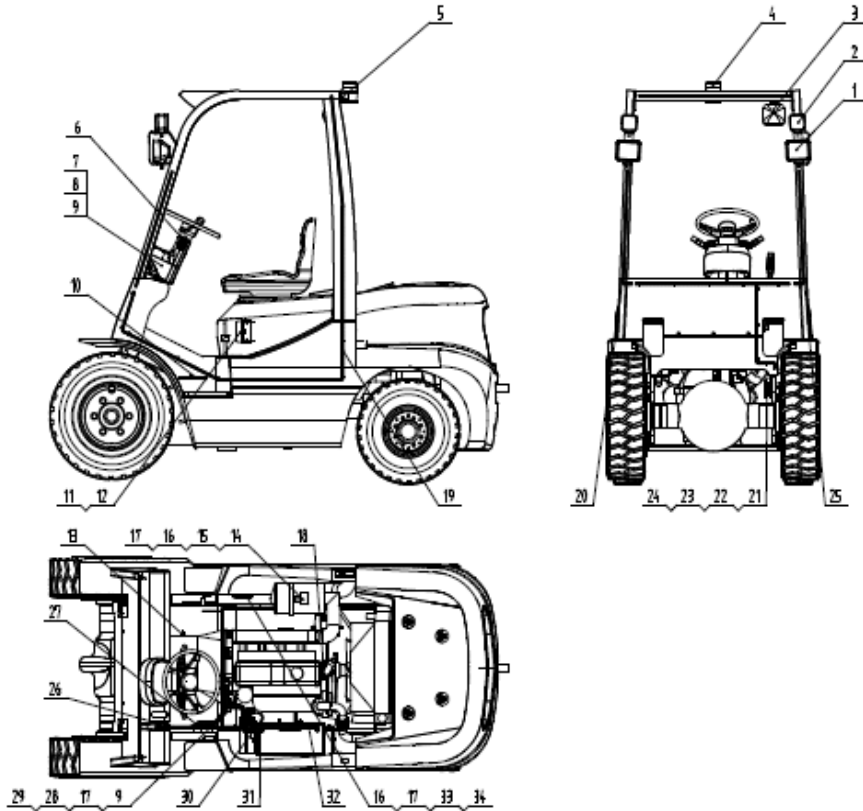
图25/FIG25.

## 电气系统 / ELECTRIC SYSTEM

FD25/30(T)-M3G(1)1, M3G(1)2, M3G(1)3 ; FD35-M3G(1)1

FD25/30/35(T)-M3G(16)1, M3(16)2, M3G(16)3

FD25/30/35(T)-M3G(5)1, M3G(5)2, M3G(5)3 ; FD38/40-M3G(5)1



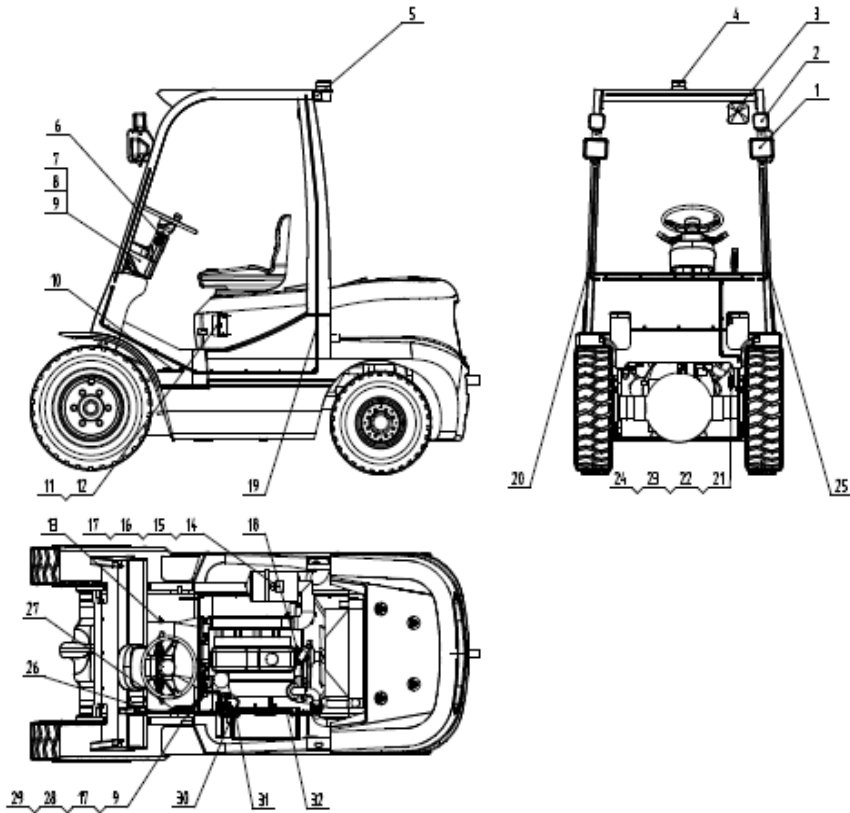
序号	ID	代号	名称	数量	备注
Item No.		Part No.	Description	Q'ty	Remark
A		30324-00000(III)	Electric system	1	
1	69000489	30324-00018	Head light WD107*84-1B	2	
-	69008754	30324-00001	Front light bracket rubber ring	2	
2	69000504	30324-00019	Front combination lamp Z-QX85*85	2	
3	69000451	30324-00021	Head light WD100*90	1	
4	69009359	A25724-02004	Caution light LTD152	1	
5	69000494	30324-00020	Rear combination lamp Z-HXF220*55	2	
6	69032586	30324-00016	Lamp switch TBZHK40	1	
-	69021669	30424-00016	Combination switch TBZHK25	1	
7	69078001	30324-55000(III)	Combination display HZB909Y1-G3-MKS	1	
8	69011770	GB/T5782-M6*35-8.8J	Bolt M6*35	4	
9	69000083	GB/T96.1-6	Washer 6	4	
10	69000497	A25724-02010	Brake light switch	1	
11	69071019	30324-09000(III)	Electric box	1	
12	69006021	GB/T818-M6*25-4.8J	Bolt M6*25	4	
13	69001956	U3042402004	Oil temperature sensor WG408	1	
14	69000379	A25724-02006	Buzzer DJB-12B	1	
15	69000190	GB/T5783-M6*16-8.8J	Bolt M6*16	1	
16	69000258	GB/T97.1-6	Washer 6	5	
17	69000060	GB/T93-6	Washer 6	6	
18	69003027	30324-00038	Water temperature sensor WG409	1	发动机自带
19	69007638	30324-05000	Rear light wiring harness	1	
20	69021907	30324-04000	Front light wiring harness(right)	1	
21	69006074	A25724-02005	Horn DL-124	1	
22	69000309	GB/T5783-M8*16-8.8J	Bolt M8*16	1	



图26/FIG.26.

## 电气系统 / ELECTRIC SYSTEM

FGL25/30/35/40T-M3WG3



序号	ID	代号	名称	数量	备注
Item No.		Part No.	Description	Q'ty	Remark
A	69088685	MJ30624SY-00000	Electric system	1	
1	69000489	30324-00018	Head light WD107*84-1B	2	
-	69008754	30324-00001	Rubber ring	2	
2	69000504	30324-00019	Front combination lamp Z-QX85*85	2	
3	69000451	30324-00021	Head light WD100*90	1	
4	69009359	A25724-02004	Caution light LTD152	1	
5	69000494	30324-00020	Rear combination lamp Z-HXF220*55	2	
6	69032586	30324-00016	Lamp switch TBZHK40	1	
-	69021669	30424-00016	Combination switch TBZHK25	1	
7	69088684	MJ30624SY-55000Z-1	Combination display	1	
8	69011770	GB/T5782-M6*35-8.8J	Bolt M6*35	4	
9	69000083	GB/T96.1-6	Washer 6	5	
10	69000497	A25724-02010	Brake switch	1	
11	69037965	A30424-09100	Electric box	1	
12	69006021	GB/T818-M6*25-4.8J	Bolt M6*25	4	
13	69001956	U3042402004	Oil temperature sensor WG408	1	
14	69000379	A25724-02006	Buzzer DJB-12B	1	
15	69000190	GB/T5783-M6*16-8.8J	Bolt M6*16	1	
16	69000258	GB/T97.1-6	Washer 6	1	
17	69000060	GB/T93-6	Washer 6	2	
18	69001847	U30424LS02002	Water temperature sensor WG430	1	发动机自带
19	69007638	30324-05000	Rear light wiring harness	1	
20	69021907	30324-04000	Front light wiring harness(right)	1	
21	69006074	A25724-02005	Horn DL-124	1	
22	69000309	GB/T5783-M8*16-8.8J	Bolt M8*16	1	





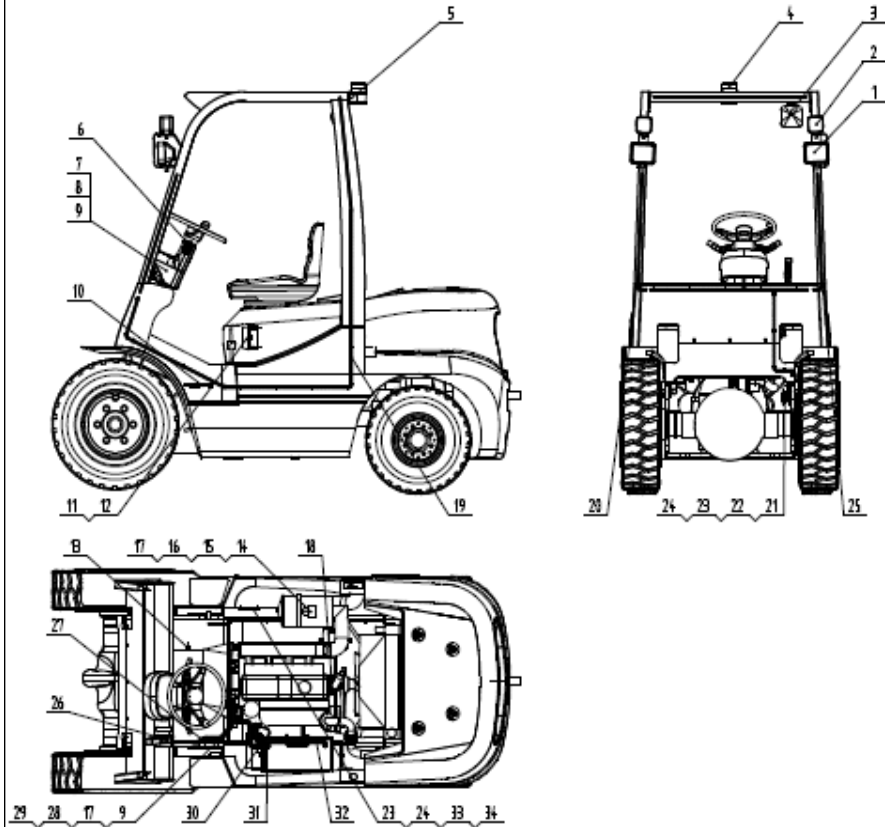
图27/FIG27.

## 电气系统 / ELECTRIC SYSTEM

FD30/35/40 (T) -M3G (9) 1, M3G (9) 2, M3G (9) 3

FD25/30 (T) -M3G (8) 1/M3G (8) 2/M3G (8) 3; FD35-M3G (8) 1

FD25/30/35/40T-M3G (2) 3



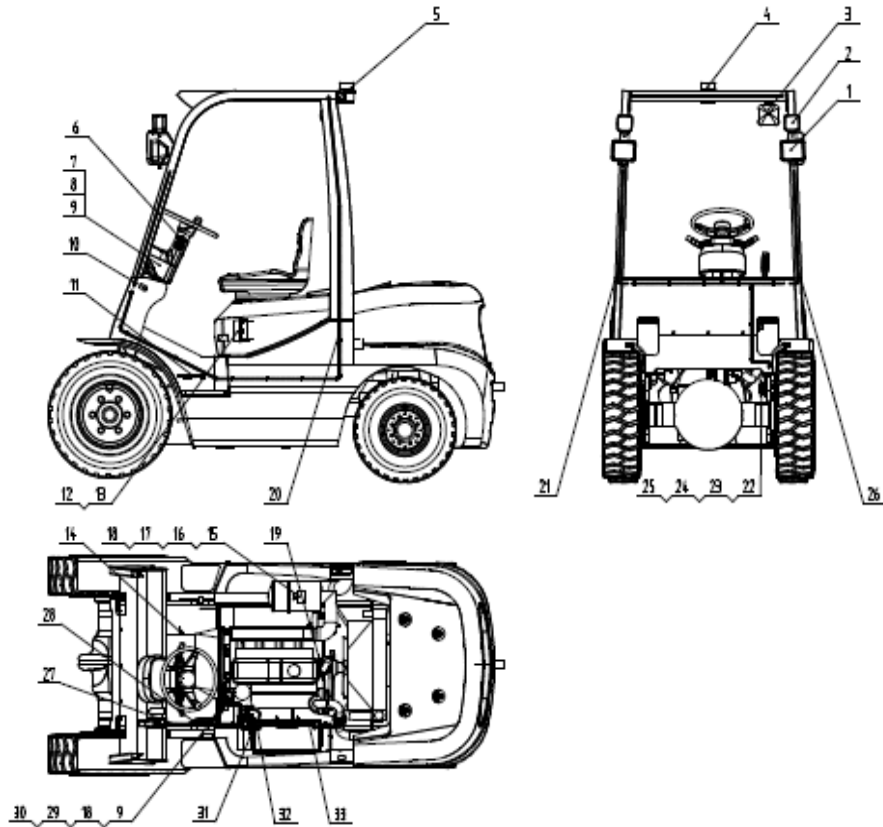
序号	ID	代号	名称	数量	备注
Item No.		Part No.	Description	Q'ty	Remark
A		30324D-00000	Electric system	1	
-		30324D-00000 (III)	Electric system	1	大柴国III
1	69000489	30324-00018	Head light WD107*84-1B	2	
-	69008754	30324-00001	Rubber ring	2	
2	69000504	30324-00019	Front combination lamp Z-QX85*85	2	
3	69000451	30324-00021	Head light WD100*90	1	
4	69009359	A25724-02004	Caution light LTD152	1	
5	69000494	30324-00020	Rear combination lamp Z-HXF220*55	2	
6	69032586	30324-00016	Lamp switch TBZHK40	1	
-	69021669	30424-00016	Combination switch TBZHK25	1	
7	69065979	30324-55000	Combination display HZB909Y-MKS	1	
-	69078148	30324D-55000 (III)-1	Combination Display HZB909Y3-G3-MKS	1	大柴国III
8	69011770	GB/T5782-M6*35-8.8J	Bolt M6*35	4	
9	69000083	GB/T96.1-6	Washer 6	5	
10	69000497	A25724-02010	Brake light switch	1	
11	69000388	30324-09000	Electric box	1	
-	69077873	30324D-09000 (III)	Electric box	1	大柴国III
12	69006021	GB/T818-M6*25-4.8J	Bolt M6*25	4	
13	69010422	60424C-00038	Oil temperature sensor WG424	1	大柴国三无
14	69000379	A25724-02006	Buzzer DJB-12B	1	
15	69000190	GB/T5783-M6*16-8.8J	Bolt M6*16	1	
16	69000258	GB/T97.1-6	Washer 6	1	
17	69000060	GB/T93-6	Washer 6	2	
18	69085012	30424-00036	Water temperature sensor WG408	1	
19	69007638	30324-05000	Rear light wiring harness	1	



图28/FIG28.

## 电气系统 / ELECTRIC SYSTEM

FD25/30/35 (T) -M3WB1, M3WB3



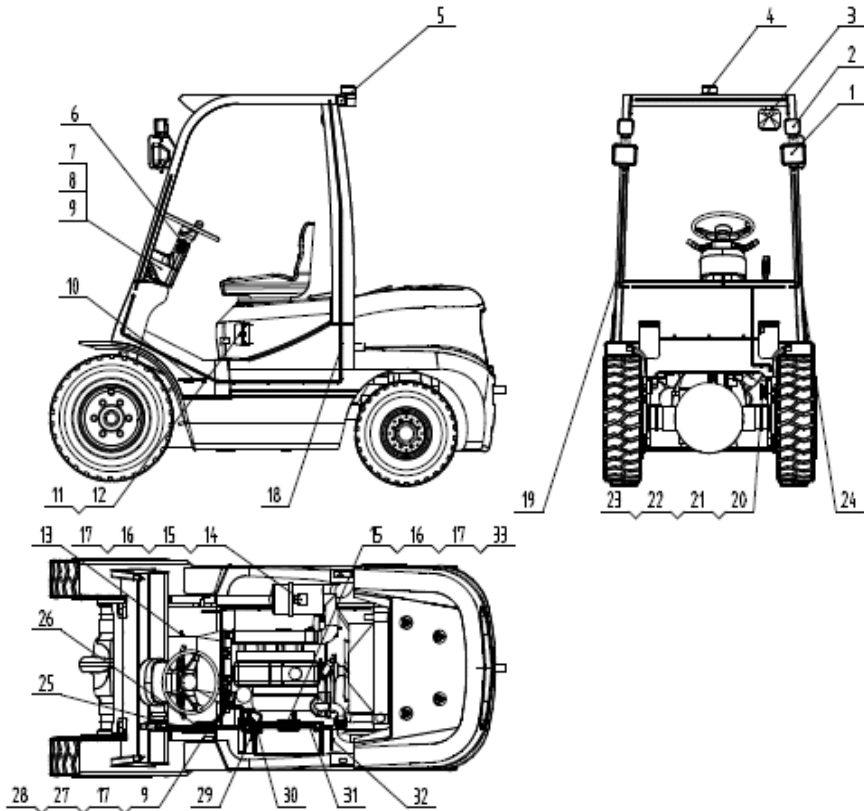
序号	ID	代号	名称	数量	备注
Item No.		Part No.	Description	Q'ty	Remark
A		30424I-00000	Electric system	1	
1	69000489	30324-00018	Head light WD107*84-1B	2	
-	69008754	30324-00001	Rubber ring	2	
2	69000504	30324-00019	Front combination lamp Z-QX85*85	2	
3	69000451	30324-00021	Head light WD100*90	1	
4	69009359	A25724-02004	Caution light LTD152	1	
5	69000494	30324-00020	Rear combination lamp Z-HXF220*55	2	
6	69032586	30324-00016	Lamp switch TBZHK40	1	
-	69021669	30424-00016	Combination switch TBZHK25	1	
7	69026009	30424-51000	Combination display HZB908W1-MKS	1	
8	69011770	GB/T5782-M6*35-8. 8J	Bolt M6*35	4	
9	69000083	GB/T96. 1-6	Washer 6	5	
10		-	Timer	1	发动机自带 NSS
11	69000497	A25724-02010	Brake light switch	1	
12	69000388	30324-09000	Electric box	1	
13	69006021	GB/T818-M6*25-4. 8J	Bolt M6*25	4	
14	69085012	30424-00036	Oil temperature sensor WG408	1	
15	69000379	A25724-02006	Buzzer DJB-12B	1	
16	69000190	GB/T5783-M6*16-8. 8J	Bolt M6*16	1	
17	69000258	GB/T97. 1-6	Washer 6	1	
18	69000060	GB/T93-6	Washer 6	2	
19	69003027	30324-00038	Water temperature sensor WG409	1	
20	69007638	30324-05000	Rear light wiring harness	1	
21	69021907	30324-04000	Front light wiring harness(right)	1	
22	69006074	A25724-02005	Horn DL-124	1	



图29/FIG29.

## 电气系统 / ELECTRIC SYSTEM

FD25 (T) -M3WE1, M3WE3; FD30/35 (T) -M3WE1, M3WE2, M3WE3; FD40T-M3WE3



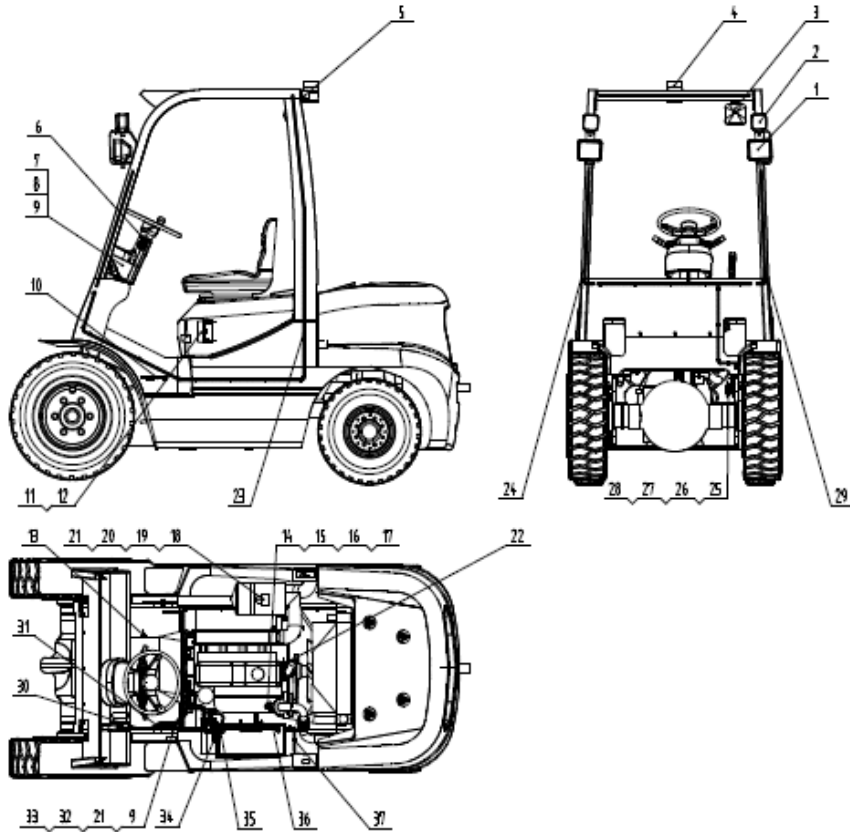
序号	ID	代号	名称	数量	备注
Item No.		Part No.	Description	Q'ty	Remark
A		30424Y-00000	Electric system	1	
1	69000489	30324-00018	Head light WD107*84-1B	2	
-	69008754	30324-00001	Rubber ring	2	
2	69000504	30324-00019	Front combination lamp Z-QX85*85	2	
3	69000451	30324-00021	Head light WD100*90	1	
4	69009359	A25724-02004	Caution light LTD152	1	
5	69000494	30324-00020	Rear combination lamp Z-HXF220*55	2	
6	69032586	30324-00016	Lamp switch TBZHK40	1	
	69021669	30424-00016	Combination switch TBZHK25	1	
7	69003429	30424Y-50000-E	Combination display HZB908W2-MKS	1	
8	69011770	GB/T5782-M6*35-8. 8J	Bolt M6*35	4	
9	69000083	GB/T96. 1-6	Washer 6	5	
10	69000497	A25724-02010	Brake switch	1	
11	69000388	30324-09000	Electric box	1	
12	69006021	GB/T818-M6*25-4. 8J	Bolt M6*25	4	
13	69085012	30424-00036	Oil temperature sensor WG408	1	
14	69000379	A25724-02006	Buzzer DJB-12B	1	
15	69000190	GB/T5783-M6*16-8. 8J	Bolt M6*16	2	
16	69000258	GB/T97. 1-6	Washer 6	2	
17	69000060	GB/T93-6	Washer 6	3	
18	69007638	30324-05000	Rear light wiring harness	1	
19	69021907	30324-04000	Front light wiring harness(right)	1	
20	69006074	A25724-02005	Horn DL-124	1	
21	69000309	GB/T5783-M8*16-8. 8J	Bolt M8*16	1	
22	69000259	GB/T97. 1-8	Washer 8	1	



图30/Fig30.

## 电气系统 / ELECTRIC SYSTEM

FD25/30/35/40T-M3WV3



序号	ID	代号	名称	数量	备注
Item No.		Part No.	Description	Q'ty	Remark
A		30424L-00000	Electric system	1	
1	69000489	30324-00018	Head light WD107*84-1B	2	
-	69008754	30324-00001	Rubber ring	2	
2	69000504	30324-00019	Front combination lamp Z-QX85*85	2	
3	69000451	30324-00021	Head light WD100*90	1	
4	69009359	A25724-02004	Caution light LTD152	1	
5	69000494	30324-00020	Rear combination lamp Z-HXF220*55	2	
6	69032586	30324-00016	Lamp switch TBZHK40	1	
-	69021669	30424-00016	Combination switch TBZHK25	1	
7	69026009	30424-51000	Combination display HZB908W1-MKS	1	
8	69011770	GB/T5782-M6*35-8.8J	Bolt M6*35	4	
9	69000083	GB/T96.1-6	Washer 6	5	
10	69000497	A25724-02010	Brake light switch	1	
11	69000388	30324-09000	Electric box	1	
12	69006021	GB/T818-M6*25-4.8J	Bolt M6*25	4	
13	69085012	30424-00036	Oil temperature sensor WG408	1	
14	69139309	32A66-19101	Start Relay	1	发动机配套
15	69052475	GB/T5783-M5*12	Bolt M5*12	2	
16	69000257	GB/T97.1-5	Washer 5	2	
17	69000059	GB/T93-5	Washer 5	2	
18	69000379	A25724-02006	Buzzer DJB-12B	1	
19	69000190	GB/T5783-M6*16-8.8J	Bolt M6*16	1	
20	69000258	GB/T97.1-6	Washer 6	1	
21	69000060	GB/T93-6	Washer 6	2	
22	69001847	U30424LS02002	Water temperature sensor WG430	1	



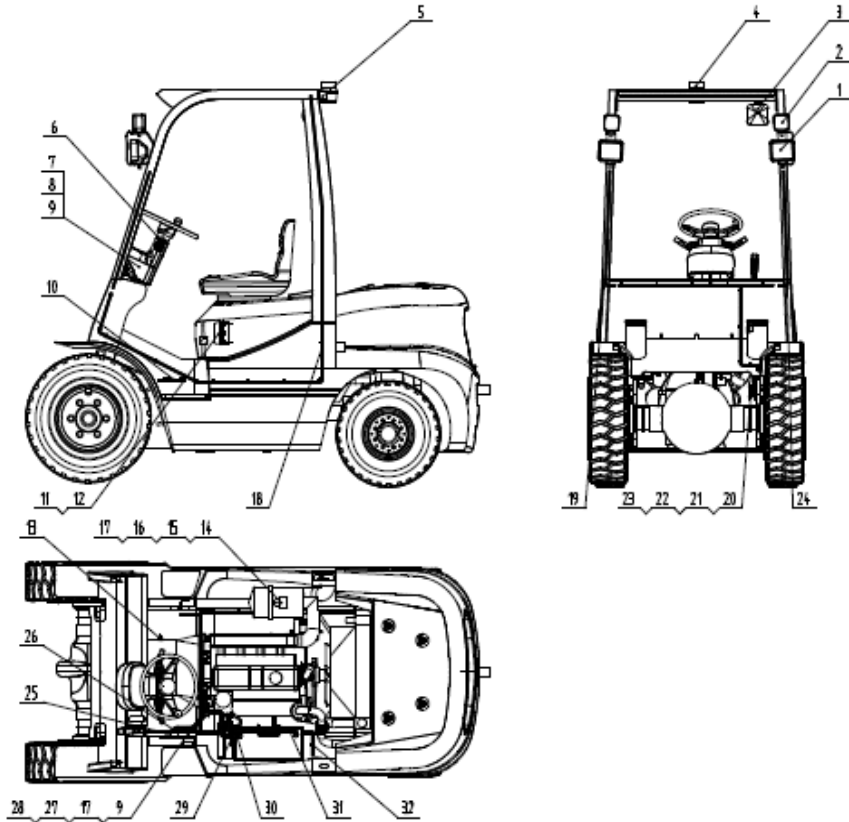


图31/FIG31.

## 电气系统 / ELECTRIC SYSTEM

FL25/30/35 (T) -M3WA1, M3WA2, M3WA3

FGL25/30/35 (T) -M3WA1, M3WA2, M3WA3



序号	ID	代号	名称	数量	备注
Item No.		Part No.	Description	Q'ty	Remark
A		30224N-00000	Electric system		
1	69000489	30324-00018	Head light WD107*84-1B	2	
-	69008754	30324-00001	Rubber ring	2	
2	69000504	30324-00019	Front combination lamp Z-QX85*85	2	
3	69000451	30324-00021	Head light WD100*90	1	
4	69009359	A25724-02004	Caution light LTD152	1	
5	69000494	30324-00020	Rear combination lamp Z-HXF220*55	2	
6	69032586	30324-00016	Lamp switch TBZHK40	1	
	69021669	30424-00016	Combination switch TBZHK25	1	
7	69003038	30224N-50000-E	Combination display HZB908W4-MKS	1	
8	69011770	GB/T5782-M6*35-8.8J	Bolt M6*35	4	
9	69000083	GB/T96.1-6	Washer 6	5	
10	69000497	A25724-02010	Brake light switch	1	
11	69000388	30324-09000	Electric box	1	
12	69006021	GB/T818-M6*25-4.8J	Bolt M6*25	4	
13	69085012	30424-00036	Oil temperature sensor WG408	1	
14	69000379	A25724-02006	Buzzer DJB-12B	1	
15	69000190	GB/T5783-M6*16-8.8J	Bolt M6*16	1	
16	69000258	GB/T97.1-6	Washer 6	1	
17	69000060	GB/T93-6	Washer 6	2	
18	69007638	30324-05000	Rear light wiring harness	1	
19	69021907	30324-04000	Front light wiring harness(right)	1	
20	69006074	A25724-02005	Horn DL-124	1	
21	69000309	GB/T5783-M8*16-8.8J	Bolt M8*16	1	
22	69000259	GB/T97.1-8	Washer 8	1	



5	69037956	A30424-02102	Rear combination lamp Z-HXF220*55	2	
6	69032586	30324-00016	Lamp switch TBZHK40	1	
-	69021669	30424-00016	Combination switch TBZHK25	1	
7	69095664	MJ30324Q-55000	Combination display HZB909Y1-G3-MKS	1	
8	69000189	GB/T5783-M6*12-8. 8J	Bolt M6*12	2	
9	69000083	GB/T96. 1-6	Washer 6	4	
10	69000497	A25724-02010	Brake light switch	1	
11	69084373	MJ30324Q-09000	Electric box	1	
12	69006021	GB/T818-M6*25-4. 8J	Bolt M6*25	4	
13	69001956	U3042402004	Oil temperature sensor WG408	1	
14	69000379	A25724-02006	Buzzer DJB-12B	1	
15	69000190	GB/T5783-M6*16-8. 8J	Bolt M6*16	1	
16	69000258	GB/T97. 1-6	Washer 6	2	
17	69000060	GB/T93-6	Washer 6	4	
18	-	30324-00038	Water temperature sensor	1	发动机自带 NSS
19	69007638	30324-05000	Rear light wiring harness	1	
20	69021907	30324-04000	Front light wiring harness (right)	1	
21	69006074	A25724-02005	Horn DL-124	1	
22	69000309	GB/T5783-M8*16-8. 8J	Bolt M8*16	1	

图25/FIG25.

电气系统 / ELECTRIC SYSTEM

FD25/30 (T) -M3G (1) 1, M3G (1) 2, M3G (1) 3 ; FD35-M3G (1) 1

FD25/30/35 (T) -M3G (16) 1, M3 (16) 2, M3G (16) 3

FD25/30/35 (T) -M3G (5) 1, M3G (5) 2, M3G (5) 3 ; FD38/40-M3G (5) 1

序号	ID	代号	名称	数量	备注
Item No.		Part No.	Description	Q' ty	Remark
23	69000259	GB/T97. 1-8	Washer 8	2	
24	69000062	GB/T93-8	Washer 8	2	
25	69019048	30324-03000	Front light wiring harness (left)	1	
26	69084372	MJ30324Q-01000	Main wiring harness	1	
27	69000663	U3042400001	Cable tie	按需	
28	69041292	U3042401500	Grounding wire	1	
29	69000189	GB/T5783-M6*12-8. 8J	Bolt M6*12	2	
30	69142638	MJ30324Q-01001	Fuse 70A	1	
31	69023601	30324M-01107A	Battery cable (-)	1	
32	69023600	30324M-01106A	Battery cable (+)	1	
33	-	-	Electronic Control Unit	1	发动机自带 NSS
34	69000324	GB/T818-M6*35-4. 8J	Bolt M6*35	4	

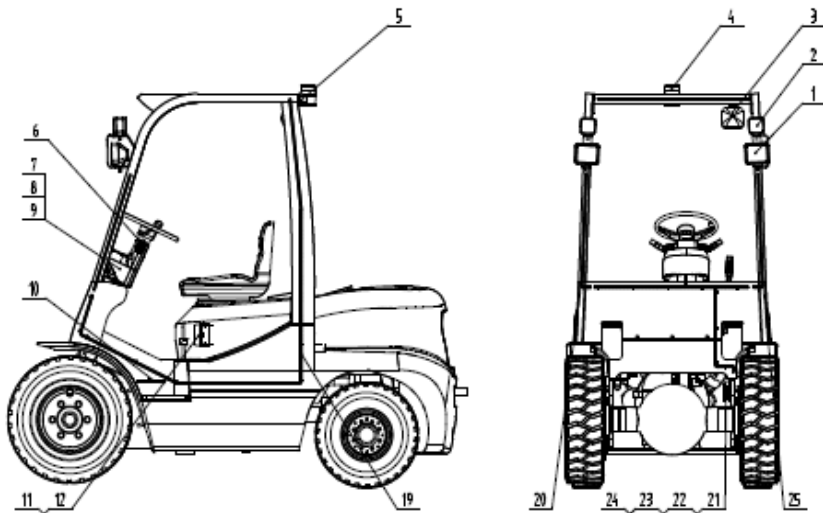








图34/Fig34.

## 变速箱/TRANSMISSION (TOR-CON TYPE)

FD25/30T-M3G(1)2, M3G(1)3 ; FD25/30/35T-M3G(5)2, M3G(5)3

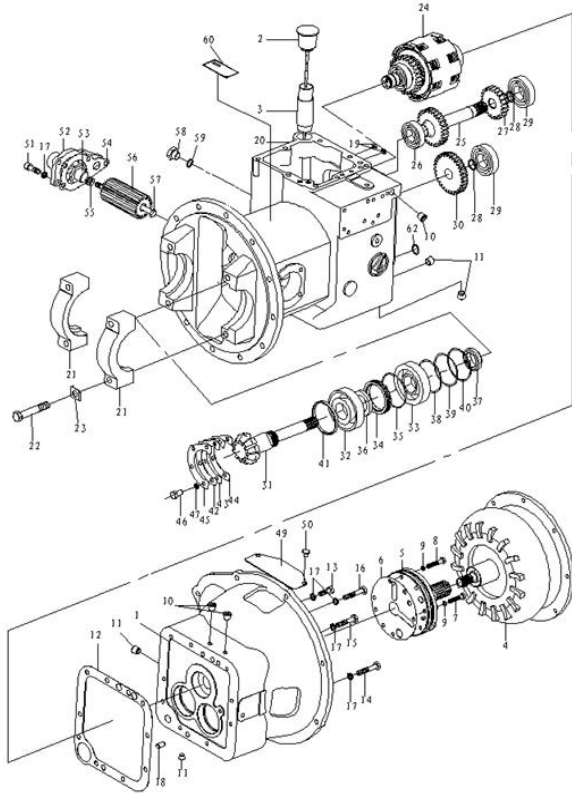
FD25/30/35T-M3(16)2, M3G(16)3; FD25/30/35-M3G(2)3

FD30/35/40T-M3G(9)2, M3G(9)3; FD25/30T-M3G(8)2/M3G(8)3

FD25/30/35T-M3WB3; FG(L)25/30/35T-M2WA2/M2WA3

FD25T-M3WE3; FD30/35T-M3WE2, M3WE3

FD25/30/40T-M3WV3; FGL25/30/35T-M3WG3



序号	物料代码	代号	名称	数量	备注
Item No.	ID NUMBER	Part No.	Description	Q'ty	Remark
1	69059060	YDS30.804	Tor-con housing	1	QX(D)30(MKS); YQX(D)30H
-	69135110	YDS30A.801	Tor-con housing	1	YQX(D)30A
2	69038509	YDS30.909	Oiling Cap	1	
3	69135111	YDS30.049	Oiling pipe	1	
4	69007147	YJH265	Hydraulic torque converter	1	YQX(D)30(MKS)
	69135112	YJH265A	Hydraulic torque converter	1	YQX(D)30H
	69135113	YJH265D	Hydraulic torque converter	1	YQX(D)30A
5	69006638	YDS30.906	Oil pump ass'y	1	
6	69135114	YDS30.100	Washer	1	
7	69135115	GB/T5789-1986-M8*50-10.9J	Bolt M8×50 grading 10.9	4	
8	69135116	GB/T5789-1986-M8*40-10.9J	Bolt M8×40 grading 10.9	2	
9	69135117	YDS30.144	Combination gasket 18	6	
10	69135156	YDS30.103	Screw plug	3	
11	69093815	YDS30.104	Screw plug	4	
12	69135119	YDS30.038	Washer	1	
13	69135120	GB/T5783-2000-M10*30	Bolt M10X30	12	
14	69135121	GB/T5783-2000-M10*50	Bolt M10X50	1	
15	69135122	GB/T5783-2000-M10*55	Bolt M10X55	6	
16		YDS30.165	Bolt	1	
17	69135124	GB/T93-1987-10	Washer 10	25	
18	69135125	GB/T119.1-2000-12	Cylindrical Pin 10 (m6) ×20	2	
19	69135126	15×2.4 GB1235-76	O-ring 15×2.4	2	
20	69059060	YDS30.804	Housing	1	
21	69136245	YDS30.072	bearing seat	2	
22		YDS30.089	Bolt	4	

图35/Fig35.

## 变速箱/TRANSMISSION (TOR-CON TYPE)

FD25/30T-M3G(1)2, M3G(1)3 ; FD25/30/35T-M3G(5)2, M3G(5)3

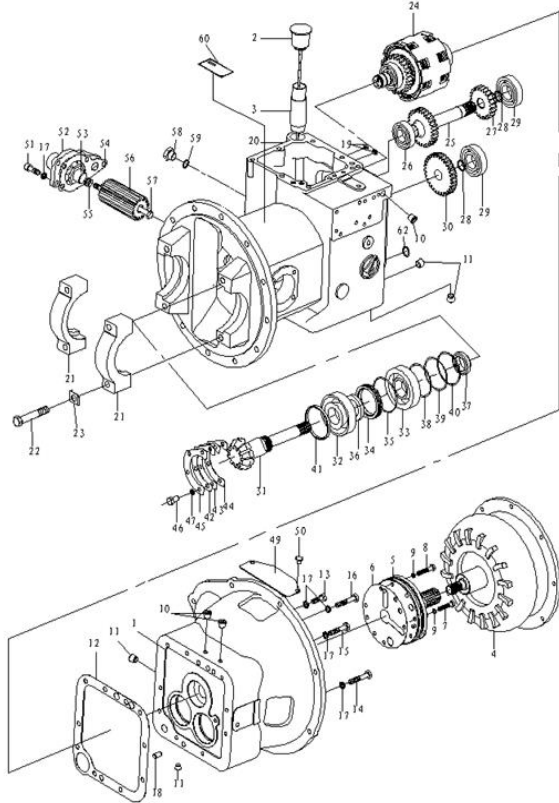
FD25/30/35T-M3(16)2, M3G(16)3; FD25/30/35T-M3G(2)3

FD30/35/40T-M3G(9)2, M3G(9)3; FD25/30T-M3G(8)2/M3G(8)3

FD25/30/35T-M3WB3; FG(L)25/30/35T-M2WA2/M2WA3

FD25T-M3WE3; FD30/35T-M3WE2, M3WE3

FD25/30/40T-M3WV3; FGL25/30/35T-M3WG3



序号	物料代码	代号	名称	数量	备注
Item No.	ID NUMBER	Part No.	Description	Q'ty	Remark
23		YDS30.082	Lock plate	4	
24	69135130	YDS30.901S	Clutch ass'y	1	
25	69135131	YDS30.025	Shaft, idler	1	
26	69000345	GB/T276-1994	Deep groove ball bearing 6206	1	
27	69094470	YDS30.037	Gear, idler	1	
28	69135133	GB/T893.1-1986-24	Orifice circlip 24	2	
29	69135134	6207 GB/T276-1994	Deep groove ball bearing 6207	2	
30	69135136	YDS30DY.002	Gear, output	1	
31		YDS25.017	Shaft, output	1	
32	69135137	32208 GB/T 297-1994	Tapered roller bearing 32208	1	
33	69135138	30208 GB/T 297-1994	Tapered roller bearing 30208	1	
34	69135139	YDS30.023	Oil seal retainer	1	
35	69135140	GB1235-80×3.1	O-ring 80x3.1	1	
36	69135141	12163-82131	Oil seal	1	
37	69093810	YDS30.024	Nut	1	
38	69135142	YDS30.019 (δ=0.1)	Washer	3	
39	69135143	YDS30.019 (δ=0.2)	Washer	按需	
40	69135144	YDS30.019 (δ=0.5)	Washer	3	
41	69135145	YDS30.020	Shaft collar	1	
42	69135146	YDS30.022 (δ=0.1)	Washer	3	
43	69135147	YDS30.022 (δ=0.2)	Washer	按需	
44	69135148	YDS30.022 (δ=0.5)	Washer	3	
45	69080362	YDS30.021	bearing support plate	1	
46	69135149	GB/T5783-2000-M8*20	Bolt M8x20	4	
47	69135150	GB/T93-1987-8	Spring washer 8	4	



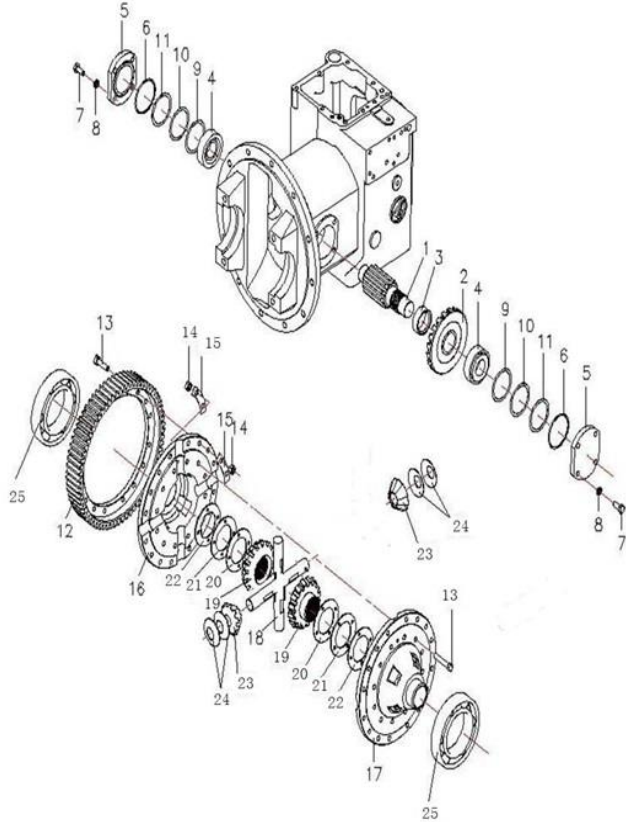




图37/Fig37.

## 减速器和差速器/REDUCER &amp; DIFFERENTIAL

FD25/30T-M3G(1)2, M3G(1)3 ; FD25/30/35T-M3G(5)2, M3G(5)3  
 FD25/30/35T-M3(16)2, M3G(16)3; FD25/30/35/40T-M3G(2)3  
 FD30/35/40T-M3G(9)2, M3G(9)3; FD25/30(T)-M3G(8)2/M3G(8)3  
 FD25/30/35T-M3WB3; FG(L)25/30/35T-M2WA2/M2WA3  
 FD25T-M3WE3; FD30/35T-M3WE2, M3WE3; FD40T-M3WE3  
 FD25/30/40T-M3WV3; FGL25/30/35/40T-M3WG3



序号	物料代码	代号	名称	数量	备注
Item No.	ID NUMBER	Part No.	Description	Q'ty	Remark
1	69141863	YDS30.070	Gear shaft	1	
2	69135190	YDS30DY.071	Spiral bevel gear	1	
3	69135191	YDS30.086	Bushing	1	
4	69009443	GB/T297-1994	Tapered roller bearing 32207	2	
5	69135193	YDS30.168	Bearing cap	2	
6	69018828	GB/T1235-75*3.1	O-ring 75x3.1	2	
7	69000125	GB/T5783-M10*25-8.8J	Bolt M10x25	8	
8	69000053	GB/T93-10	Washer 10	8	
9	69135195	YDS30.090(δ=0.1)	Washer	按需	
10	69135196	YDS30.090(δ=0.15)	Washer	按需	
11	69135197	YDS30.090(δ=0.2)	Washer	按需	
	69135198	YDS30.090(δ=0.5)	Washer	按需	
12	69095278	YDS30.073	Gear washer	1	
13	69135209	YDS30.076	Bolt	12	
14	69135200	GB/T 6176-2000-M10*1.25	Nut M10X1.25	12	
15	69135211	YDS30.078	Locking plate	6	
16/17		YDS30.803	Differential housing ass'y	1	
18	69136524	YDS25.019	Cross shaft	1	
19	69007136	YDS30.085	Half axle gear	2	
20	69135205	YQX30.079S(δ=2.2)	Washer	2	
21	69135206	YQX30.079S(δ=2.4)	Washer	2	
22	69135207	YQX30.079S(δ=2.5)	Washer	2	
23	69060208	YDS30.083	Planetary gear	4	
24	69135208	YDS30.084	Thrust washer	4	
25	69135212	GB/T 276-1994	Deep groove ball bearing 6213	2	



图39/Fig39.

( DCCT5)DCCT5S电液控制阀/(DTCCT5)DCCT5S CONTROL VALVE (ELECTRO-HYDRAULIC)

FD25/30T-M3G(1)2, M3G(1)3 ; FD25/30/35T-M3G(5)2, M3G(5)3

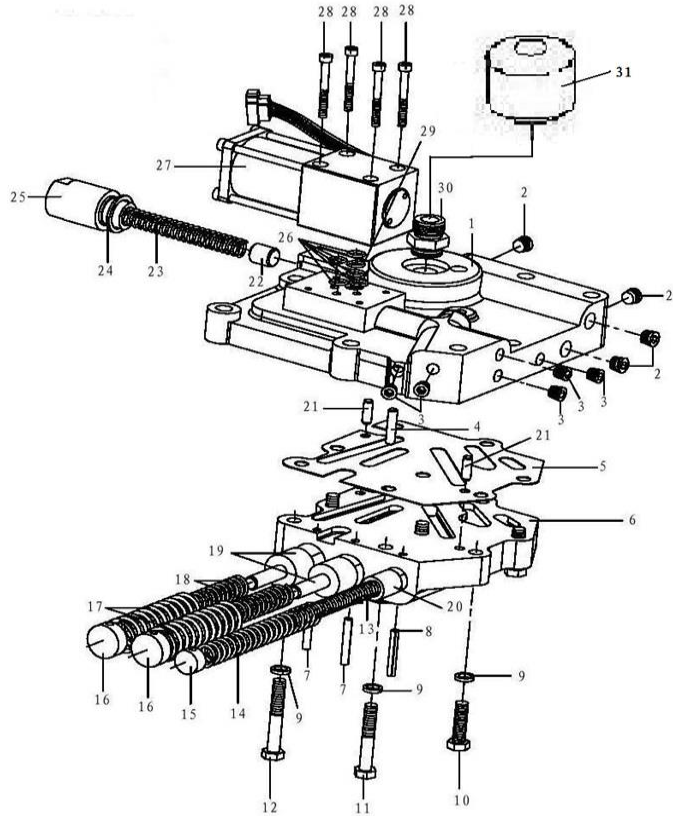
FD25/30/35T-M3(16)2, M3G(16)3; FD25/30/35/40T-M3G(2)3

FD30/35/40T-M3G(9)2, M3G(9)3; FD25/30(T)-M3G(8)2/M3G(8)3

FD25/30/35T-M3WB3; FG(L)25/30/35T-M2WA2/M2WA3

FD25T-M3WE3; FD30/35T-M3WE2, M3WE3; FD40T-M3WE3

FD25/30/40T-M3WV3; FGL25/30/35T-M3WG3



序号	物料代码	代号	名称	数量	备注
Item No.	ID NUMBER	Part No.	Description	Q'ty	Remark
A	69055820	DCCT5	Electrohydraulic control valve	1	
B		DCCT5S	Electrohydraulic control valve	1	
1	69135155	11243-83272	Housing cover	1	
2	69135156	YDS30.103	Screw plug	4	
3	69106341	YDS30.102	Screw plug	5	
4	69135157	GB/T 119.1-2000-6*28	Cylindrical Pin 6 (h8) ×28	1	
5	69082987	116H3-82361a	Paper pad	1	
6	69135158	15583-83362	Valve body	1	
7	69135159	GB/T879.1-2000-5*40	Elastic cylindrical pin 5×40	2	
8	69135160	GB/T879.1-2000-5*35	Elastic cylindrical pin 5×35	1	
9	69135150	GB/T93-1987-8	Spring Washer	8	
10	69135161	GB/T5783-2000-M8*30-10.9J	Bolt M8×30 grading 10.9	2	
11	69135108	GB/T5783-2000-M8*50-10.9J	Bolt M8×50 grading 10.9	3	
12	69135162	GB/T5783-2000-M8*55-10.9J	Bolt M8×55 grading 10.9	3	
13	69135163	YDS30.059	Spring	19	
14	69135164	15583-82411a	Spring	1	
15	69107618	YDS30.060	Plug	1	
16	69107621	YDS30.064	Plug	2	
17	69135165	YDS30.062	Spring	2	
18	69135166	YDS30.063	Spring	2	
19	69117772	YDS30.061	Valve core	2	
20	69107615	YDS30.057	Piston	1	
21	69135167	GB/T119.1-2000-6*18	Cylindrical pin 6 (h8) ×18	2	
22	69107612	YDS30.052	Piston	1	
23	69135168	YDS30.050	Spring	1	





图41/Fig41.

## YDS30. 901S液力离合器/YDS30. 901S HYDRAULIC CLUTCH

FD25/30T-M3G(1)2, M3G(1)3 ; FD25/30/35T-M3G(5)2, M3G(5)3

FD25/30/35T-M3(16)2, M3G(16)3; FD25/30/35T-M3G(2)3

FD30/35/40T-M3G(9)2, M3G(9)3; FD25/30(T)-M3G(8)2/M3G(8)3

FD25/30/35T-M3WB3; FG(L)25/30/35T-M2WA2/M2WA3

FD25T-M3WE3; FD30/35T-M3WE2, M3WE3

FD25/30/40T-M3WV3; FGL25/30/35T-M3WG3

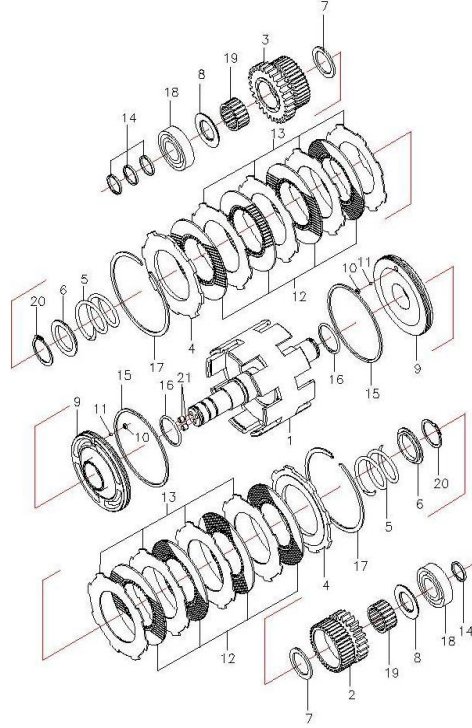


图7 液力离合器

序号	物料代码	代号	名称	数量	备注
Item No.	ID NUMBER	Part No.	Description	Q'ty	Remark
1	69135173	FYQX30.810	Input shaft ass'y	1	
2	69135174	YDS30.007	Forward gear	1	
3	69135175	YDS30.008	Reverse gear	1	
4	69135176	YDS30.018	End plate	2	
5	69135177	YDS30.009	Return spring	2	
6	69135178	YDS30.010	Return spring seat	2	
7	69135179	YDS30.011	Thrust ring (A)	2	
8	69135180	YDS30.012	Thrust ring (B)	2	
9	YDS30.005		Piston	2	
10	69141231	YDS30.006	Plug	2	
11		GB/T308-4 G200 b	Steel ball 4 G200 b	2	
12	69135182	11243-82141	Friction plate	8	
13	69135183	123S3-82111	Spacer	8	
14	69007155	YDS30.015	Sealing ring (A)	4	
15	69007154	YDS30.016	Sealing ring (B)	2	
16	69136717	GB1235-76-40*3.5	O-ring 40x3.5	2	
17	69135184	YDS30.017	Snap ring	2	
18	69135132	6206 GB/T276-1994	Deep groove ball bearing 6026	2	
19	69135186	K35×42×20	Needle bearing K35×42×20	2	
20	69135187	GB/T 894.1-1986-40	Axis Circlip 40	2	
21	69135188	GB/T 77-2000-M8*8	Screw M8x8	2	



图42/Fig42.

## 供油泵(液力式)/CHARGING PUMP (TOR-CON TYPE)

FD25/30T-M3G(1)2, M3G(1)3 ; FD25/30/35T-M3G(5)2, M3G(5)3

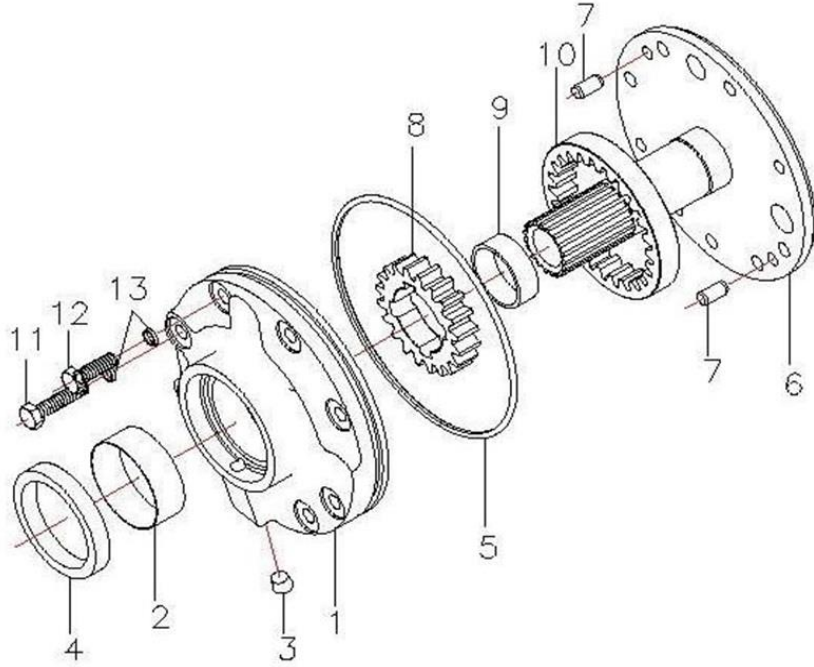
FD25/30/35T-M3(16)2, M3G(16)3; FD25/30/35/40T-M3G(2)3

FD30/35/40T-M3G(9)2, M3G(9)3; FD25/30(T)-M3G(8)2/M3G(8)3

FD25/30/35T-M3WB3; FG(L)25/30/35T-M2WA2/M2WA3

FD25T-M3WE3; FD30/35T-M3WE2, M3WE3; FD40T-M3WE3

FD25/30/40T-M3WV3; FGL25/30/35T-M3WG3



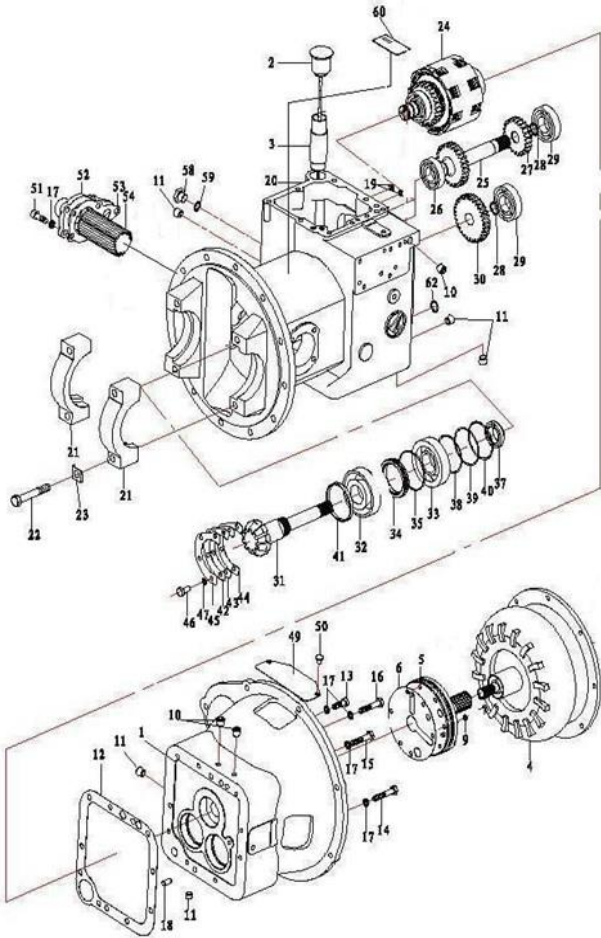
序号	物料代码	代号	名称	数量	备注
Item No.	ID RUMBER	Part No.	Description	Q' ty	Remark
A	69006638	YDS30.906	Oil pump ass'y	1	
1		YDS30.091	Pump body	1	
2		YDS30.092	Bushing	1	
3	69106341	YDS30.102	Screw plug	1	
4	69006641	AH2847R	Oil seal	1	
5	69087343	GB/T3452.1-145*3.55	O-ring 145×3.55G	1	
6		YDS30.095	Guiding gear seat	1	
7	69135157	GB/T 119.1-2000-6*28	Cylindrical pin 6×28	2	
8		YDS30.096	Driving gear	1	
9		YDS30.097	Bushing	1	
10		YDS30.098	Driven gear	1	
11	69135109	GB/T5783-2000-M8*25-10.9J	Bolt M8×25	1	
12	69000311	GB/T5783-M8*35-8.8J	Bolt M8×35	1	
13	69010797	JB982-8	Combination gasket 8	2	

图43/Fig43.

## 变速箱/TRANSMISSION (TOR-CON TYPE)

FD40T-M3G(2)3; FD40T-M3G(9)2, M3G(9)3

FD40T-M3WE3; FD40T-M3WV3; FGL40T-M3WG3



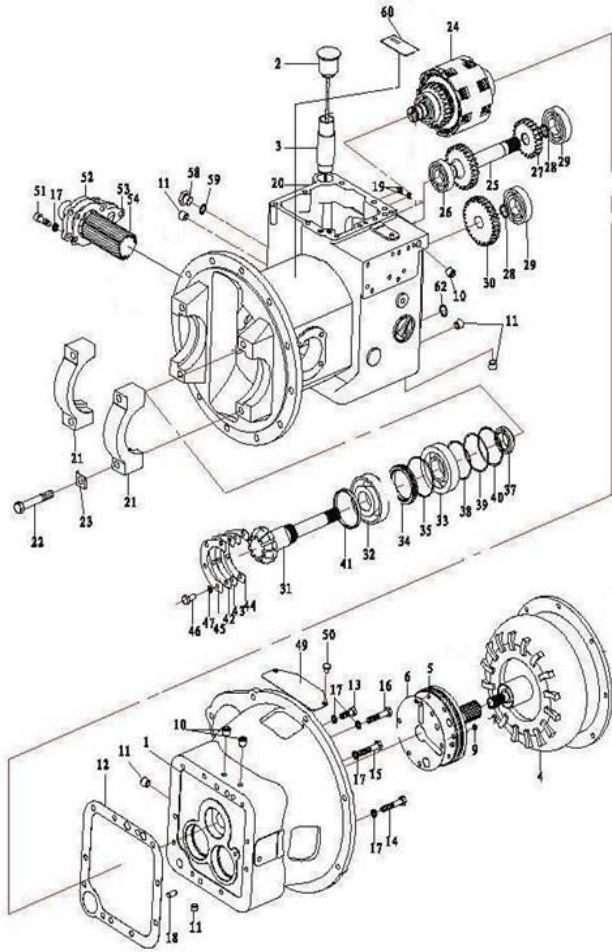
序号	物料代码	代号	名称	数量	备注
Item No.	ID NUMBER	Part No.	Description	Q'ty	Remark
1	69059060	YDS30. 804	Tor-con housing	1	YQX (D) 40 (MKS);
-	69135110	YDS30A. 801	Tor-con housing	1	YQX (D) 40A
2	69038509	YDS30. 909	Oiling cap	1	
3	69135111	YDS30. 049	Oiling pipe	1	
4	69135112	YJH265A	Hydraulic torque Converter	1	YQX (D) 40 (MKS)
	69135113	YJH265D	Hydraulic torque Converter	1	YQX (D) 40A
5	69006638	YDS30. 906	Oil pump ass'y	1	
6	69135114	YDS30. 100	Washer	1	
7	69135115	GB/T5789-1986-M8*50-10.9J	Bolt M8×50 grading 10.9	4	
8	69135116	GB/T5789-1986-M8*40-10.9J	Bolt M8×40 grading 10.9	2	
9	69135117	YDS30. 144	Combination gasket 18	6	
10	69135156	YDS30. 103	Screw plug	3	
11	69093815	YDS30. 104	Screw plug	4	
12	69135119	YDS30. 038	Washer	1	
13	69135120	GB/T5783-2000-M10*30	Bolt M10×30	12	
14	69135121	GB/T5783-2000-M10*50	Bolt M10×50	1	
15	69135122	GB/T5783-2000-M10*55	Bolt M10×55	6	
16		YDS30. 165	Bolt	1	
17	69000053	GB/T93-10	Washer 10	25	
18	69135125	GB/T119. 1-2000-12	Cylindrical pin 10 (m6) ×20	2	
19	69135126	15×2.4 GB1235-76	O-ring 15×2.4	2	
20	69007145	YDS30. 136	Housing	1	
21	69136245	YDS30. 072	bearing seat	2	
22		YDS30. 089	Bolt	4	
23		YDS30. 082	Lock plate	4	

图43/Fig43.

## 变速箱/TRANSMISSION (TOR-CON TYPE)

FD40T-M3G (2) 3; FD40T-M3G (9) 2, M3G (9) 3

FD40T-M3WE3; FD40T-M3WV3; FGL40T-M3WG3



序号	物料代码	代号	名称	数量	备注
Item No.	ID NUMBER	Part No.	Description	Q'ty	Remark
24	69087718	YQX40. 901	Clutch ass'y	1	YQXD40系列
25	69135131	YDS30. 025	Shaft, idler	1	
26	69087567	GB/T276-94	Deep groove ball bearing 6206	1	
27	69094470	YDS30. 037	Gear, idler	1	
28	69135133	GB/T893. 1-1986-24	Orifice Circlip 24	2	
29	69087567	GB/T276-94	Deep groove ball bearing 6207	2	
30	69135135	YDS30. 036	Gear, output	1	
31	69135136	YDS30DY. 002	Shaft, output	1	
32	69136257	GB/T 297-94	Tapered roller bearing 32208	1	
33	69136257	GB/T 297-94	Tapered roller bearing 30208	1	
34	69135139	YDS30. 023	Oil seal retainer	1	
35	69135140	GB1235-76	O-ring 80x3.1	1	
36	69135141	12163-82131	Oil seal	1	
37	69093810	YDS30. 024	Nut	1	
38	69135142	YDS30. 019 ( δ=0. 1)	Washer	3	
39	69135143	YDS30. 019 ( δ=0. 2)	Washer	按需	
40	69135144	YDS30. 019 ( δ=0. 5)	Washer	3	
41	69135145	YDS30. 020	Shaft collar	1	
42	69135146	YDS30. 022 ( δ=0. 1)	Washer	3	
43	69135147	YDS30. 022 ( δ=0. 2)	Washer	按需	
44	69135148	YDS30. 022 ( δ=0. 5)	Washer	3	
45	69080362	YDS30. 021	Bearing support plate	1	
46	69000198	GB/T5783-M8*20-8. 8J	Bolt M8x20	4	
47	69000062	GB/T93-8	Spring washer 8	4	
48	69032087	GB/T5786-M10*1. 25*20-8. 8J	Bolt M10×1. 25×20	6	

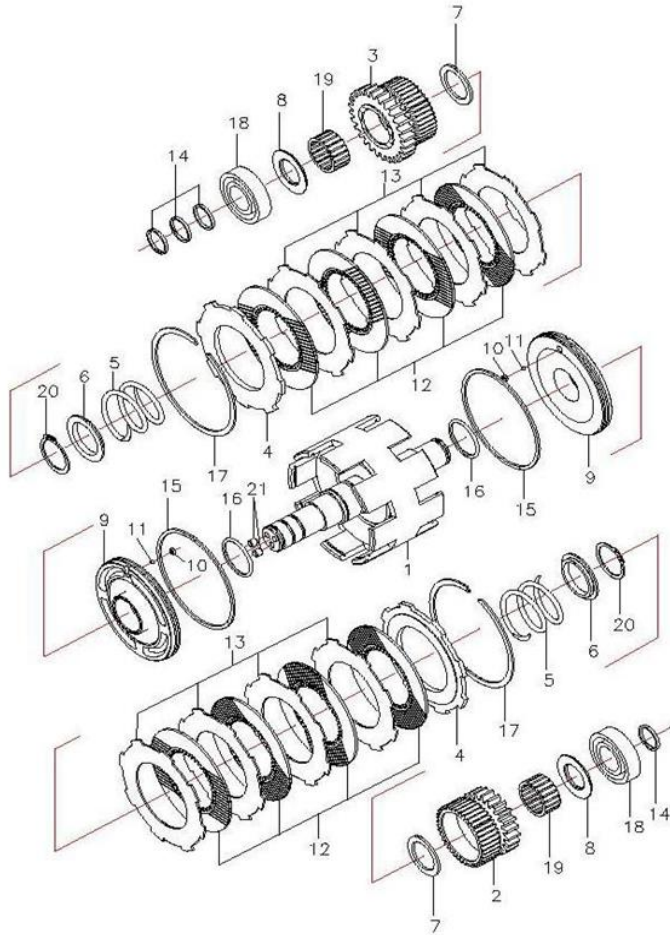


图44/Fig44.

## YQX40.901液力离合器/YQX40.901 HYDRAULIC CLUTCH

FD40T-M3G(2)3; FD40T-M3G(9)2, M3G(9)3

FD40T-M3WE3; FD40T-M3WV3; FGL40T-M3WG3



序号	物料代码	代号	名称	数量	备注
Item No.	ID NUMBER	Part No.	Description	Q'ty	Remark
1	69135173	FYQX30.810	Input shaft ass'y	1	
2	69135174	YDS30.007	Forward gear	1	
3	69135175	YDS30.008	Reverse gear	1	
4	69135176	YDS30.018	End plate	2	
5	69135177	YDS30.009	Return spring	2	
6	69135178	YDS30.010	Return spring seat	2	
7	69135179	YDS30.011	Thrust ring (A)	2	
8	69135180	YDS30.012	Thrust ring (B)	2	
9		YQX40.902	Piston ass'y	2	
10	69141231	YDS30.006	Plug	2	
11	69138382	GB/T308-2002	Steel ball 4 G200 b	2	
12	69060405	FYQX30.034	Friction plate	10	
13	69060404	YYX25.005	Spacer	10	
14	69007155	YDS30.015	Sealing ring (A)	4	
15	69007154	YDS30.016	Sealing ring (B)	2	
16	69136717	GB1235-76-40*3.5	O-ring 40x3.5	2	
17	69135184	YDS30.017	Snap ring	2	
18	69087567	GB/T276-94	Deep groove ball bearing 6026	2	
19	69021688	JB/T7918	Needle bearing K35×42×20	2	
20	69000070	GB/T894.1-Φ40	Axis Circlip 40	2	
21	69008637	GB/T77-M8*8-12.9J	Screw M8x8	2	

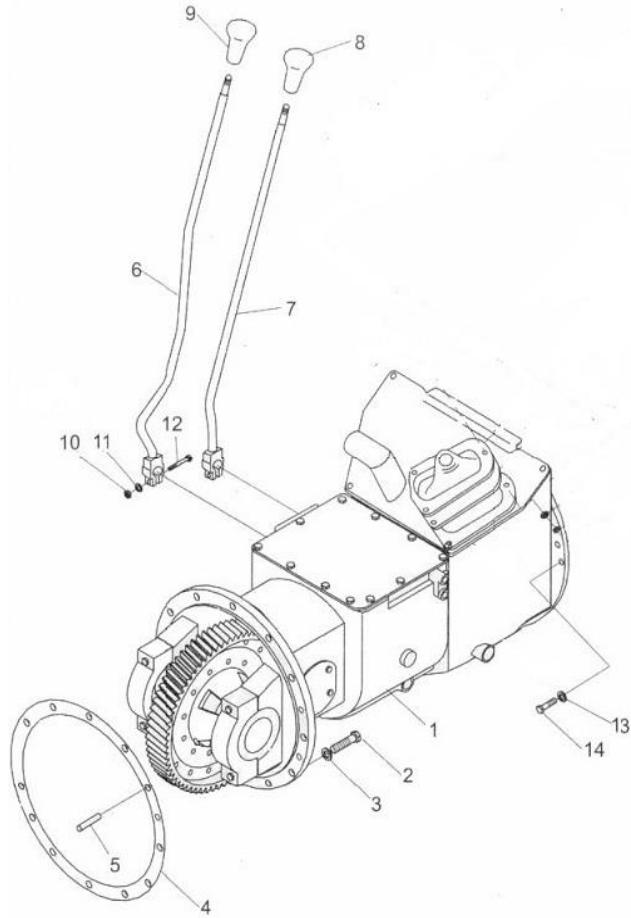
图45/Fig45.

传动装置安装(机械式)/DRIVE UNIT ASS'Y(CLUTCH TYPE)

FD25/30/35-M3G(1)1/M3G(5)1/M3G(16)1

FD25/30/35-M3G(8)1; FD30/35/40-M3G(9)1; FD38/40-M3G(5)1

FG(L)25/30/35-M3WA1; FD25/30/35-M3WB1; FD25/30/35-M3WE1



序号	物料代码	代号	名称	数量	备注
Item No.	ID NUMBER	Part No.	Description	Q'ty	Remark
1	69060827	JDS30IIIB	Transmission, Mechanical	1	2.5-3.5t (C240、YANMAR98、尼桑k25)
	69060800	JDS30III	Transmission, Mechanical	1	2.5-3.5t (新柴、大柴)
	69079032	JDS37IIIA	Mechanical transmission	1	3.8t (新柴)
	69060829	JDS37 II-3	Mechanical transmission	1	x4t (新柴, 大柴)
2	69039607	GB/T5785-M12*1.25*35-8.8J	Bolt M12×1.25×35	12	
3	69000054	GB/T93-12	Washer 12	12	
4	69000538	M3031600001	Gasket	1	
5	69000337	GB/T119.2-Φ10*25	Pin 10×25	1	
6	69084138	MJ30339-00002	Speed shift lever	1	
7	69084137	MJ30339-00001	Direction shift lever	1	
8	69001697	M3033900003	Direction shift knob	1	
9	69001537	M3033900004	Speed shift knob	1	
10	69000112	GB/T6170-M8-8J	Nut M8	3	
11	69000062	GB/T93-8	Washer 8	14	
12	69039474	GB/T5782-M8*40	Bolt M8×40	2	
13	69000053	GB/T93-10	Washer 10	9	
14	69059843	GB/T5783-M10*35-10.9J	Bolt M10×35	9	

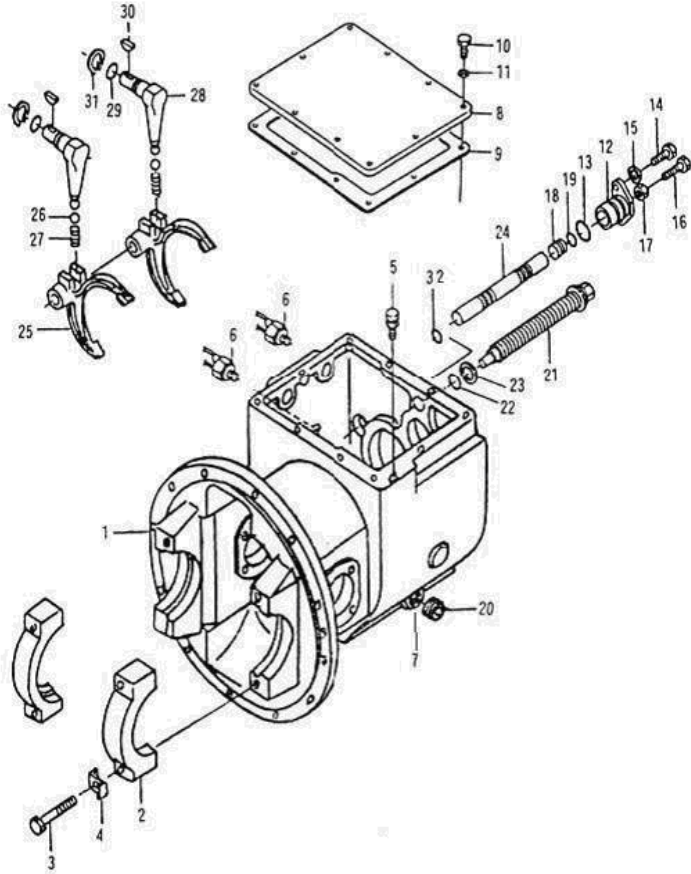
图46/Fig46.

## 换挡变速部分(I)/SHIFT PART(I)

FD25/30/35-M3G(1)1/M3G(5)1/M3G(16)1

FD25/30/35-M3G(8)1; FD30/35-M3G(9)1; FD38-M3G(5)1

FG(L)25/30/35-M3WA1; FD25/30/35-M3WB1; FD25/30/35-M3WE1



序号	物料代码	代号	名称	数量	备注
Item No.	ID NUMBER	Part No.	Description	Q'ty	Remark
1	69007602	JDS30. 801	Housing	1	JDS30III
2		JDS30. 072	bearing seat	2	JDS30III
3		YDS30. 089	Bolt	4	
4		JDS25. 003	Lock plate	4	JDS25III
		YDS30. 082	Lock plate	4	JDS30III
5	69136289	QC/T 410-1999	Normally closed Breather plug Q900B	1	
6	69136240	JK208	Reverse lamp switch	2	JDS25III; JDS30III
7	69000356	JB/T982-18	Combination gasket 18	1	
8	69007590	JDS30. 048	Box cover	1	
9	69007592	JDS30. 049	Box cover gasket	4	
10	69000123	GB/T5783-M10*20-8. 8J	Bolt M10x20	4	
11	69000053	GB/T93-10	Washer 10	1	
12		JDS30. 031	Shaft arm	1	
13	69124135	GB1235-35*3.1-G	O-ring 35x3.1	1	
14	69000198	GB/T5783-M8*20-8. 8J	Bolt M8x20	2	
15	69000062	GB/T93-8	Washer 8	2	
16	69135121	GB/T5783-2000-M10*50	Bolt M10x50	1	
17	69040431	GB/T6170-M10-10J	Nut M10	1	
18	69138384	JDS30. 032	Plug	1	
19	69018925	GB1235-20*2.4	O-ring 20x2.4	1	
20	69088744	YBS5. 133	Screw plug	1	
21		JDS30. 027	Sliding bolt	1	
22		GB1235-28*3.5	O-ring 28x3.5	1	
23		JDS30. 028	Spring washer with external tooth	1	
24	69007588	JDS30. 033	Shift lever	1	

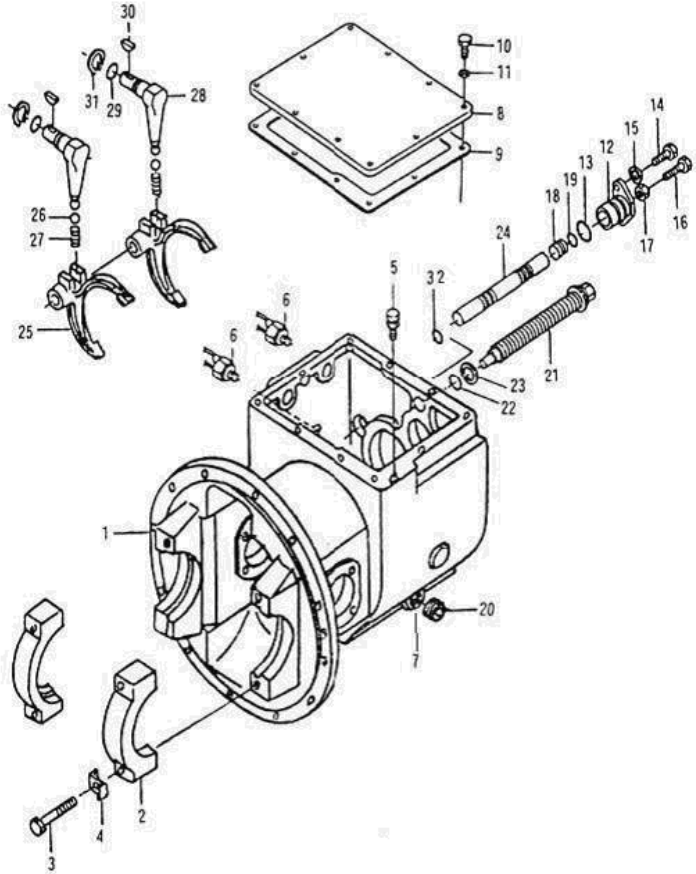
图46/Fig46.

换挡变速部分 ( I ) / SHIFT PART ( I )

FD25/30/35-M3G (1) 1/M3G (5) 1/M3G (16) 1

FD25/30/35-M3G (8) 1; FD30/35-M3G (9) 1; FD38-M3G (5) 1

FG (L) 25/30/35-M3WA1; FD25/30/35-M3WB1; FD25/30/35-M3WE1



序号	物料代码	代号	名称	数量	备注
Item No.	ID NUMBER	Part No.	Description	Q'ty	Remark
25		JDS30.044A	Fork	2	
26	69138382	GB/T308-2002	Steer ball 10.0000G200b	2	
27	69007587	JDS30.045	Spring	2	
28	69007589	JDS30.047	Rotating lever	2	
29	69124131	GB1235-22*2.4-G	O-ring 22x2.4	2	
30	69138380	GB/T1099.1-5*19	Woodruff key 5×19	2	
31	69138381	GB/T894.1-22	Axis circlip 22	2	
32	69007588	JDS30.033	Adjusting washer	1/3	



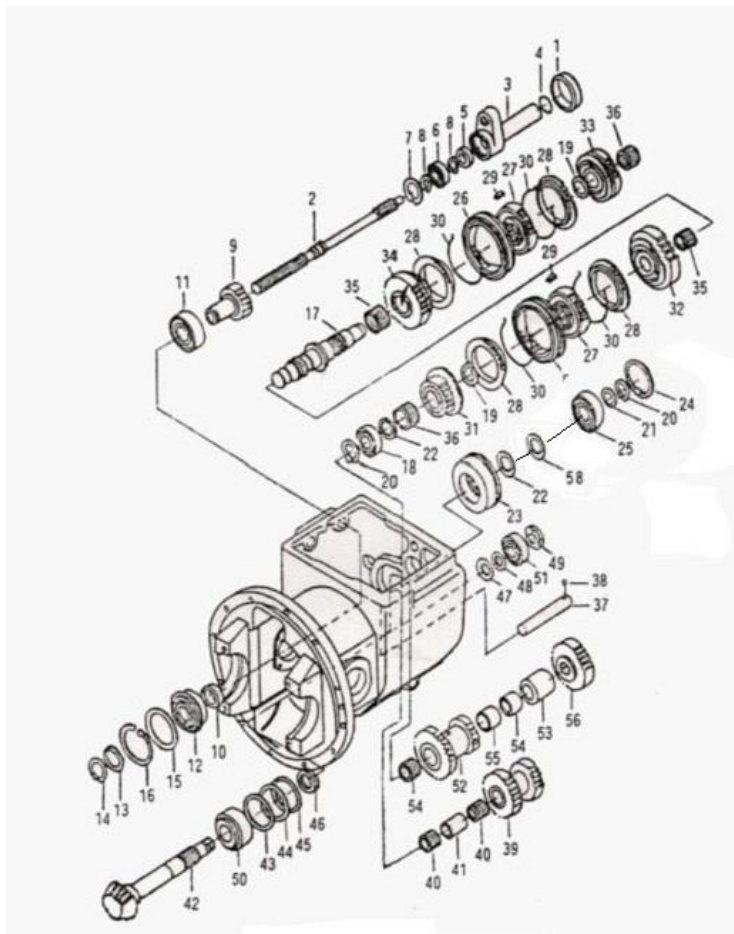
图47/Fig47.

换挡变速部分(II)/SHIFT PART(II)

FD25/30/35-M3G(1)1/M3G(5)1/M3G(16)1

FD25/30/35-M3G(8)1; FD30/35-M3G(9)1; FD38-M3G(5)1

FG(L)25/30/35-M3WA1; FD25/30/35-M3WB1; FD25/30/35-M3WE1



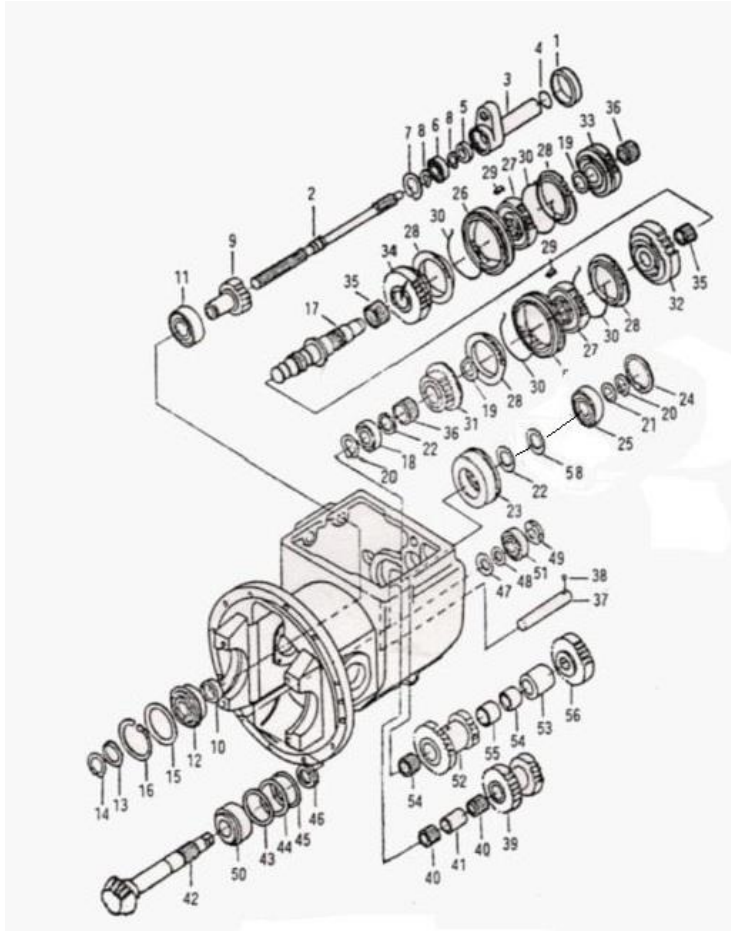
序号	物料代码	代号	名称	数量	备注
Item No.	ID NUMBER	Part No.	Description	Q'ty	Remark
1	69007595	JDS30.026	Shaft collar	1	
2	69007608	JDS30.025	Main drive shaft	1	
3		JDS30.024	bearing retainer	1	
4		GB1235-42*3.5	O-ring 42×3.5	1	
5	69007598	AC1315E0	Oil seal	1	
6	69039051	GB/T276-94	bearing 6005	1	
7	69059825	GB/T893.1-Φ47	Orifice circlip 47	1	
8	69000067	GB/T894.1-Φ25	Axis circlip 25	2	
9		JDS30.037	Input gear	1	
10	69007606	JDS30.038	Spacer	1	
11	69087567	GB/T276-94	Deep groove ball bearing 6207	1	
12	69087567	GB/T276-94	Deep groove ball bearing 6207N	1	
13		GB305-89	Stop ring 72/78.6	1	
14	69005095	GB/T894.1-Φ35	Axis Circlip 35	1	
15	69007594	JDS30.039	bearing Washer	1	
16		GB/T893.2-80	Orifice Circlip 80	1	
17	69007618	JDS30.003	Main shaft	1	
18		GB/T283-NJ306E	Cylindrical roller bearing NJ306E	1	
19	69138379	GB/T894.1-48	Axis Circlip 48	2	
20	69000068	GB/T894.1-Φ30	Axis Circlip 30	2	
21		JDS30.018	Spacer	1/5×2	
22	69059268	JDS30.017	Thrust friction plate	2	
23	69007612	JDS30.019	bearing retainer	1	
24		GB/T893.2-72	Orifice Circlip 72	1	

图47/Fig47.

FD25/30/35-M3G(1)1/M3G(5)1/M3G(16)1

FD25/30/35-M3G(8)1; FD30/35-M3G(9)1

FG(L)25/30/35-M3WA1; FD25/30/35-M3WB1; FD25/30/35-M3WE1



## 换挡变速部分(II)/SHIFT PART(II)

序号	物料代码	代号	名称	数量	备注
Item No.	ID NUMBER	Part No.	Description	Q'ty	Remark
25	69018614	GB/T276-1994-6306	Deep groove ball bearing 6306	1	
26		JDS30.010	Engagement sleeve	1	
27		JDS30.007	Clutch secondary gear hub	2	
28	69026978	JDS30.013	Gear sleeve ring 1/2	4	
29	69047322	JDS30.011	Gear sleeve slipper	6	
30		JDS30.012	Spring	4	
31	69007617	JDS30.002	High speed gear	1	
32	69007616	JDS30.004	Low speed gear	2	
33	69007609	JDS30.014	Forward gear	1	
34	69007607	JDS30.005	Reverse gear	1	
35		JDS30.015W	Needle bearing	2	
36	69142016	KJ35×40×27S	Needle bearing KJ35×40×27S	2	
37		JDS30.006	Idler gear	1	
38		GB/T308-1989	Steel ball 6.3500G200b	1	
39	69007614	JDS30.008	Idler gear	1	
40		KMJ25×33×24	Needle bearing KMJ25×33×24	2	
41	69007615	JDS30.009	Bushing	1	
42	69024995	JDS25.041	Output shaft	1	JDS25III
-	69007620	JDS30.041	Output shaft	1	JDS30III
43		JDS30.043(δ=0.1)	Washer	1/3	
44		JDS30.043(δ=0.2)	Washer	1/3	
45		JDS30.043(δ=0.3)	Washer	1/3	
46	69007610	JDS30.042	Thrust Washer	1	
47		JDS30.020(δ=4)	Thrust plate	1/4	
		JDS30.020(δ=4.5)	Thrust plate	1/4	



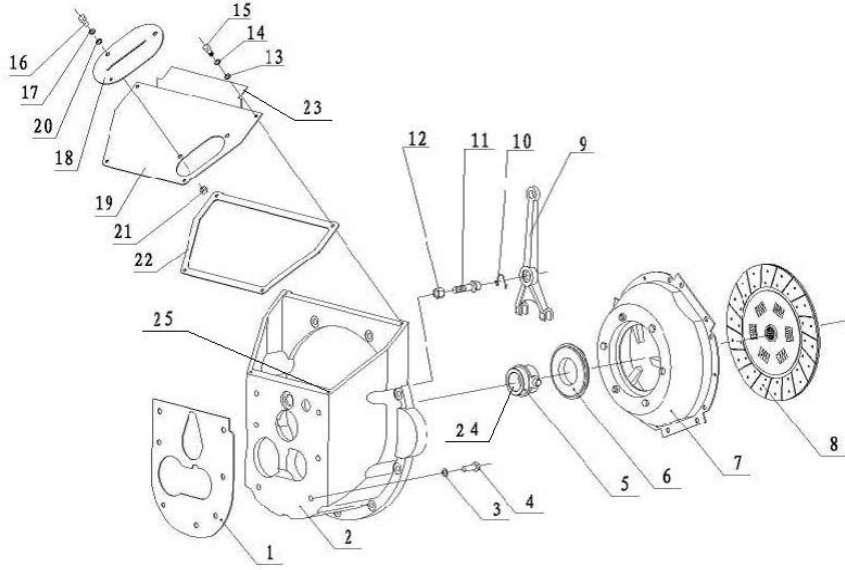
图48/Fig48.

## 离合器/CLUTCH

FD25/30/35-M3G(1)1/M3G(5)1/M3G(16)1

FD25/30/35-M3G(8)1; FD30/35-M3G(9)1; FD38-M3G(5)1

FG(L)25/30/35-M3WA1; FD25/30/35-M3WB1; FD25/30/35-M3WE1



序号	物料代码	代号	名称	数量	备注
Item No.	ID NUMBER	Part No.	Description	Q'ty	Remark
1	69007583	JDS30 II. 001	Paper pad	1	
2	69141941	10063-11070G	Clutch housing	1	
3	69000053	GB/T93-10	Washer10	7	
4	69135120	GB/T5783-2000-M10*30	Bolt M10X30	7	
5		JDS30 II. 006	Release bearing sleeve	1	
6		13453-12031	Release bearing	1	
7		13453-10402	Platen & cover ass'y	1	
8		13453-10301	Clutch friction plate ass'y	1	
9	69002399	10113-10122	Release fork	1	
10	69138398	10113-10081	Snap ring	1	
11	69138397	13073-12001	Supporting bolt	1	
12	69007585	13073-12011	Adjusting nut	1	
13	69000258	GB/T97.1-6	Washer 6	4	
14	69000060	GB/T93-6	Washer 6	5	
15	69000190	GB/T5783-M6*16-8. 8J	Bolt M6x16	4	
16	69135248	GB/T5783-2000-M8*16	Bolt M8x16	2	
17	69000259	GB/T97.1-8	Washer 8	2	
18		JDS30 II. 004	Release fork shield	1	
19		JDS30 II A. 002	Clutch housing	1	
20	69000062	GB/T93-8	Washer8	2	
21	69059842	GB/T6170-M8-10级	Nut M8	2	
22		JDS30 II. 003	Cushion	1	
23		JDS30 II. 005	Platen	1	
24		JDS30 II. 007	Bushing	1	
25		GB/T67-M6*16	Screw M6x16	1	

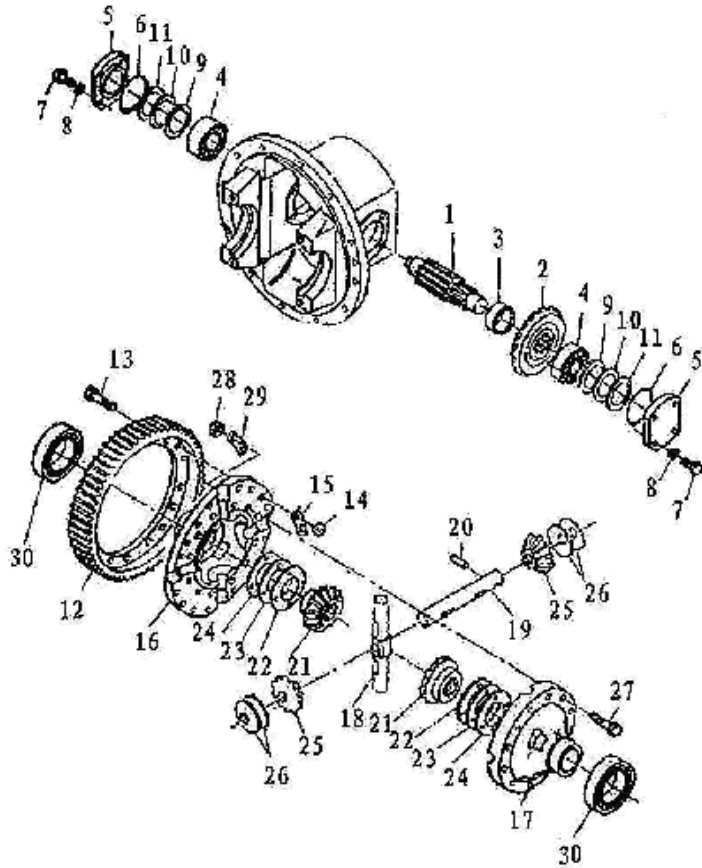
图49/Fig49.

## 减速器和差速器/SPEED REDUCER &amp; DIFFERENTIAL

FD25/30/35-M3G(1)1/M3G(5)1/M3G(16)1; FD38-M3G(5)1

FD25/30/35-M3G(8)1; FD30/35-M3G(9)1

FG(L)25/30/35-M3WA1; FD25/30/35-M3WB1; FD25/30/35-M3WE1



序号	物料代码	代号	名称	数量	备注
Item No.	ID NUMBER	Part No.	Description	Q'ty	Remark
1	69141863	YDS30.070	Gear shaft	1	JDS30III
		JDS30HA.070	Gear shaft	1	JDS37IIIHA
		YDS25.016	Gear shaft	1	JDS25III
2		YDS25.015	Spiral bevel gear	1	JDS25III
	69135190	YDS30DY.071	Spiral bevel gear	1	JDS30III
3	69135191	YDS30.086	Bushing	1	
4	69136168	32207 GB/T 297-1994	Tapered roller bearing	2	
5	69080617	YDS18.005	bearing cap	2	
6	69018828	GB/T1235-75*3.1	O-ring 75x3.1	2	
7	69135194	GB/T 5783-2000-M10*30	Bolt M10X30	8	
8	69000062	GB/T93-8	Washer 8	1	
9	69135195	YDS30.090 (δ=0.1)	Washer	1/3x2	
10	69135197	YDS30.090 (δ=0.2)	Washer	1/3x2	
11	69135198	YDS30.090 (δ=0.5)	Washer	1/3x2	
12	69028539	YDS25.010	Gear ring	1	JDS25III
	69095278	YDS30.073	Gear ring	1	JDS30III
		JDS30HA.073	Gear ring	1	JDS37IIIHA
13	69135199	YDS30.077	Bolt	16	JDS30III
14	69135200	GB/T 6176-2000-M10*1.25	Nut M10×1.25-12J	16	JDS30III
15	69135201	YDS30.088	Lock plate	8	JDS30III
		JDS30HA.088	Lock plate	8	JDS37IIIHA
16	69136523	YDS25.802	Differential housing	1	JDS25III
		YDS30.803	Differential housing	1	JDS30III
17		JDS30HA.803	Differential housing	1	JDS37IIIHA
18	69135204	14453-52101A	Cross shaft	1	JDS25III; JDS30III
19	69135204	14453-52101A	Cross shaft	1	JDS25III; JDS30III

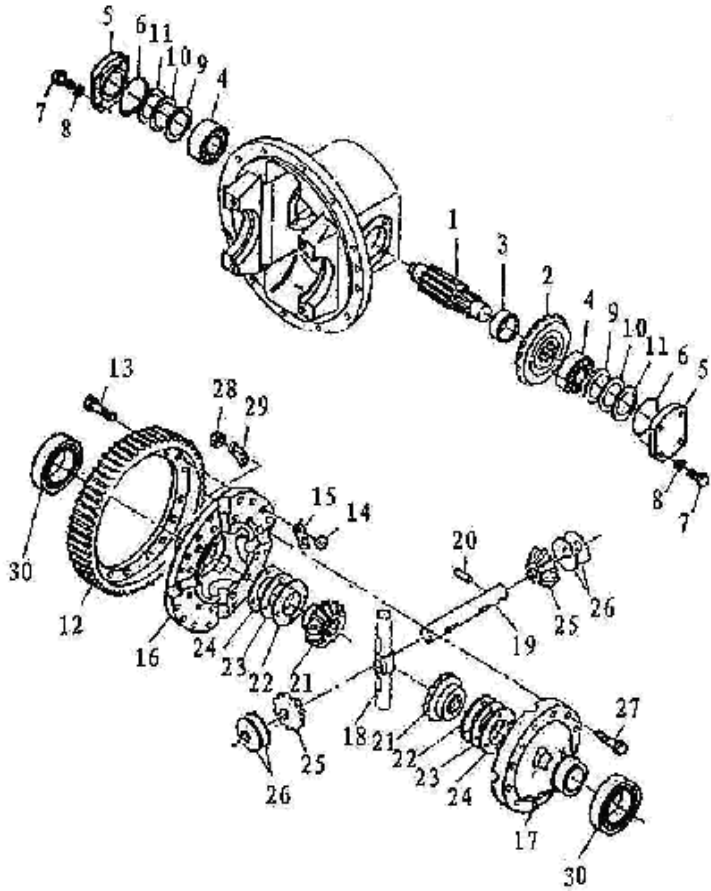
图49/Fig49.

## 减速器和差速器/SPEED REDUCER &amp; DIFFERENTIAL

FD25/30/35-M3G(1)1/M3G(5)1/M3G(16)1; FD38-M3G(5)1

FD25/30/35-M3G(8)1; FD30/35-M3G(9)1

FG(L)25/30/35-M3WA1; FD25/30/35-M3WB1; FD25/30/35-M3WE1



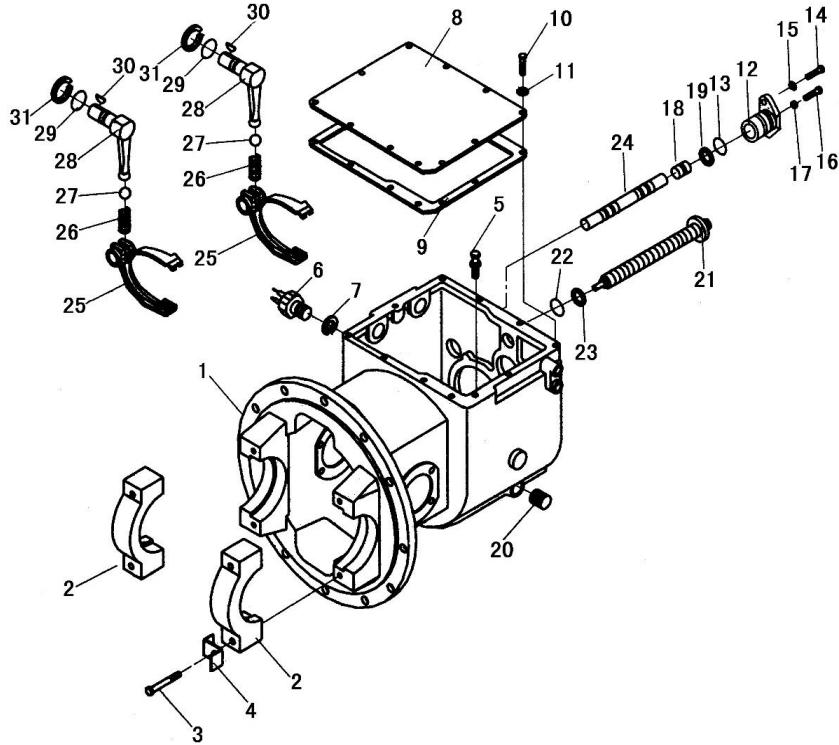
序号	物料代码	代号	名称	数量	备注
Item No.	ID NUMBER	Part No.	Description	Q'ty	Remark
20	69135204	14453-52101A	Cross shaft	1	JDS25III; JDS30III
21	69007169	YDS25.011	Gear, half axle	2	JDS25III
		YDS25.085	Gear, half axle	2	JDS30III
22		YDS25.012 (δ=1.8)	Washer	1/4x2	JDS25III
		YDS25.012 (δ=2.0)	Washer	1/4x3	JDS25III
		YDS25.012 (δ=2.2)	Washer	1/4x4	JDS25III
		YDS25.012 (δ=2.4)	Washer	1/4x5	JDS25III
23		YDS30.079S (δ=2.2)	Washer	1/3x2	JDS30III
		YDS30.079S (δ=2.4)	Washer	1/3x2	JDS30III
24		YDS30.079S (δ=2.5)	Washer	1/3x2	JDS30III
25	69060208	YDS30.083	Planetary gear	4	JDS30III
	69136526	YDS25.007	Planetary gear	4	JDS25III
26	69136528	YDS25.006 (δ=1.8)	Thrust washer	1/3×4	JDS25III
		YDS25.006 (δ=2.0)	Thrust washer	1/3×4	JDS25III
		YDS25.006 (δ=2.2)	Thrust washer	1/3×4	JDS25III
	69135208	YDS30.084	Thrust washer	4	JDS30III
27	69136529	YDS25.013	Bolt	12	JDS25III
	69135209	YDS30.076	Bolt	12	JDS30III
28	69136367	GB/T6176-2000	Nut	12	
29	69136384	YDS25.014	Lock plate	6	JDS25III
	69135211	YDS30.078	Lock plate	6	JDS30III
30	69136265	GB/T276-1994-05	Deep groove ball bearing 6211	2	JDS25III
	69135212	GB/T 276-1994	Deep groove ball bearing 6213	2	JDS30III

图50/Fig50.

## 换挡变速部分(I)/SHIFT PART(I)

FD40-M3G(5)1

FD40-M3G(9)1



序号	物料代码	代号	名称	数量	备注
Item No.	ID NUMBER	Part No.	Description	Q'ty	Remark
1		JDS25-01001	Mechanical transmission case	1	配18/25型
		J30H-01001-1	Mechanical transmission case	1	配30/37型
		J30H-01001-1A	Mechanical transmission case	1	配30/37型
2		YQX25-01002	Bearing seat	2	配18/25型
		Y30H-01002	Bearing seat	2	配30/37型
3		Y30H-01010	Bearing seat bolt	4	
4		YQX25-01008	Lock plate	4	配18/25型
	69140506	Y30H-01008	Lock plate	4	配30/37型
5		J30H-01100	Air breather ass'y	1	
6		J30H-01004	Reverse lamp switch	1	配-3型数量为2
7		Y30H-07009	Reverse lamp bushing	1	配-3型数量为2
8		J30H-01002A	Case cover	1	
9		J30H-01003	Case cover bushing	1	
10	69000122	GB/T5783-M10*16-8.8J	Bolt M10×16	10	
11	69000053	GB/T93-10	Spring washer10	10	
12		J30H-06004	Shaft arm	1	
13	69025975	GB/T1235-35*3.1	O-ring 35×3.1	1	
14	69000198	GB/T5783-M8*20-8.8J	Bolt M8×20	2	
15	69000062	GB/T93-8	Spring washer 8	2	
16	69092287	GB/T5783-M10*45-10.9J	Bolt M10×45	1	
17	69040431	GB/T6170-M10-10J	Nut M10	1	
18		J30H-06005	Plug	1	
19	69018925	GB1235-20*2.4	O-ring 20×2.4	1	
20		JB/ZQ4446	Plug Rc1/2"	1	
21		J30H-02005	Slide bolt	1	



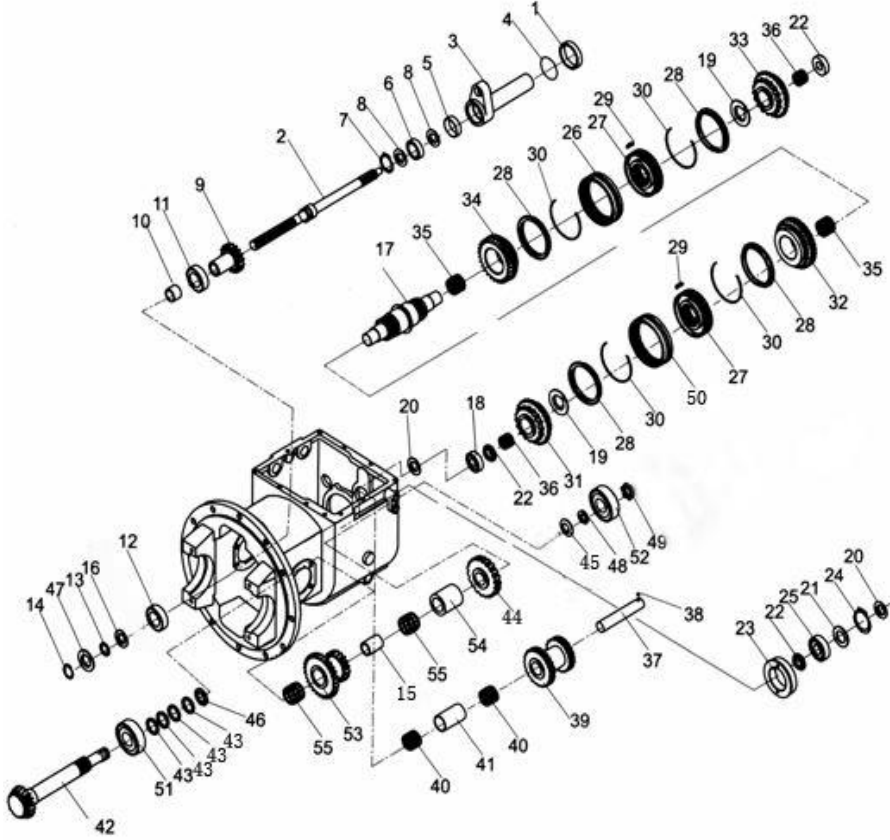


图51/Fig51.

## 换挡变速部分(II)/SHIFT PART(II)

FD40-M3G(5)1

FD40-M3G(9)1

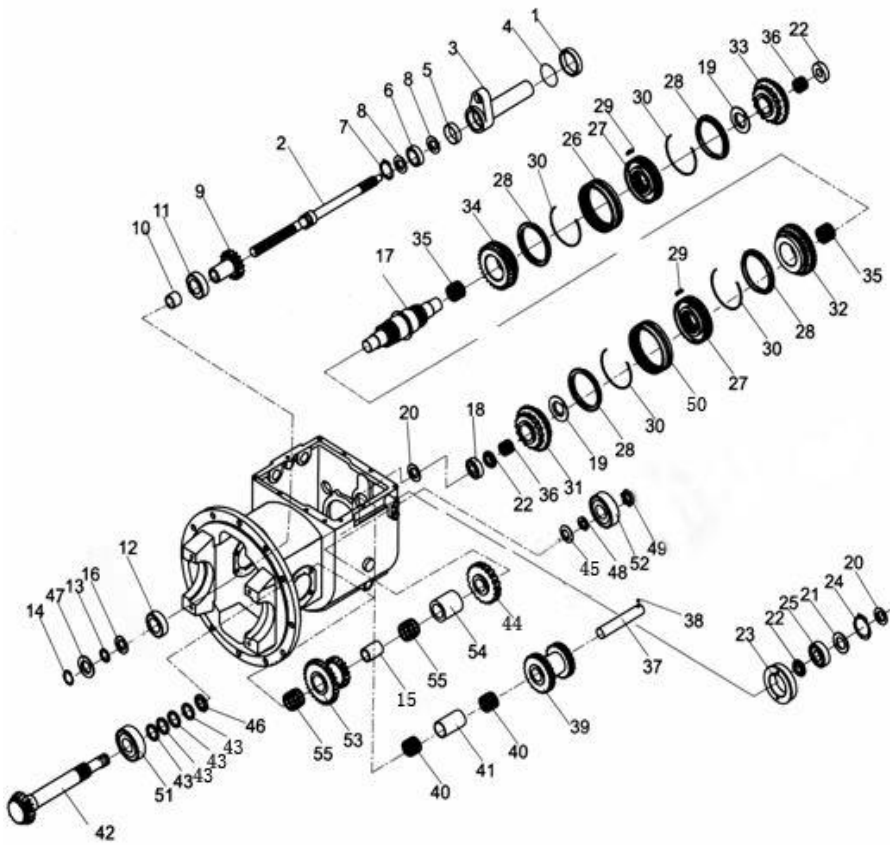


序号	物料代码	代号	名称	数量	备注
Item No.	ID RUMBER	Part No.	Description	Q' ty	Remark
1		J30H-02004	Collar	1	
2		J30H-02001	Main drive shaft	1	
3		J30H-02003	Bearing retainer	1	
3		J30H-02003-1	Bearing retainer	1	
4		GB1235-42*3.5	O-ring 42*3.5	1	
5		J30H-02008	Oil seal	1	
6	69004924	GB/T276-6005	Deep groove ball bearing 6005	1	
7	69059825	GB/T893.1-Φ47	Orifice Circlip 47	1	
8	69000067	GB/T894.1-Φ25	Axis Circlip 25	2	
9		J30H-02002	Input gear	1	
10		J30H-02009	Spacer	1	
11	69135134	6207 GB/T276-1994	Deep groove ball bearing 6207	1	
12	69136292	GB/T276-1994-01	Deep groove ball bearing 6207NR	1	
13		J30H-02010	Input spacer	1	
14	69005095	GB/T894.1-Φ35	Axis Circlip 35	1	
15		J30H-04005	Output shaft bushing (II)	1	
16		J30H-02007	Bearing washer	1	
17		J30H-03002	Main shaft	1	
18		GB/T283-NJ306E	Cylindrical roller bearing NJ306E	1	
19		J30H-03009	Snap ring	2	
20	69000068	GB/T894.1-Φ30	Axis Circlip 30	2	
21		J30H-03007	Spindle spacer	1	
22		J30H-03010	Thrust friction plate	2	
23		J30H-03001	Bearing retainer ring	1	
24	69011357	GB/T893.1-Φ72	Orifice Circlip72	1	

图51/Fig51.

FD40-M3G(5)1

FD40-M3G(9)1



## 换挡变速部分(II)/SHIFT PART(II)

序号	物料代码	代号	名称	数量	备注
Item No.	ID NUMBER	Part No.	Description	Q'ty	Remark
25	69018614	GB/T276-1994-6306	Deep groove ball bearing 6306	1	
26		J30H-03102	Gear sleeve	1	
27		J30H-03101	Gear hub	2	
28		J30H-03008	Gear sleeve ring	4	
29		J30H-03103	Gear sleeve slip	6	
30		J30H-03104	Gear sleeve spring	4	
31		J30H-03005	High speed gear	1	
		JDS37-03005	High speed gear	1	配37型
32		J30H-03006	Low speed gear	1	
33		J30H-03003	Forward gear	1	
		JDS37-03003	Forward gear	1	配37型
34		J30H-03004	Reverse gear	1	
35	69059542	LS59542	Needle bearing K56×61×30	2	
36	69142016	JB/T7918-K35*40*27	Needle bearing K35×40×27	2	
37		J30H-05001	Idler shaft	1	
38		GB308-6.350G	Steel ball 6.350G200b	1	
39		J30H-05002	Idler gear	1	
		JDS37-05002	Idler gear	1	配37型
40		JB/T7918-K25*33*24	Needle bearing K25×33×24	2	
41		J30H-05003	Idler shaft bushing	1	
42		JDS18-04001	Output shaft	1	配18型
		JDS25-04001	Output shaft	1	配25型
		J30H-04001	Output shaft	1	配30/37型
43		J30H-04009	Output shaft shim	AR	
44		J30H-04002	Output gear	1	

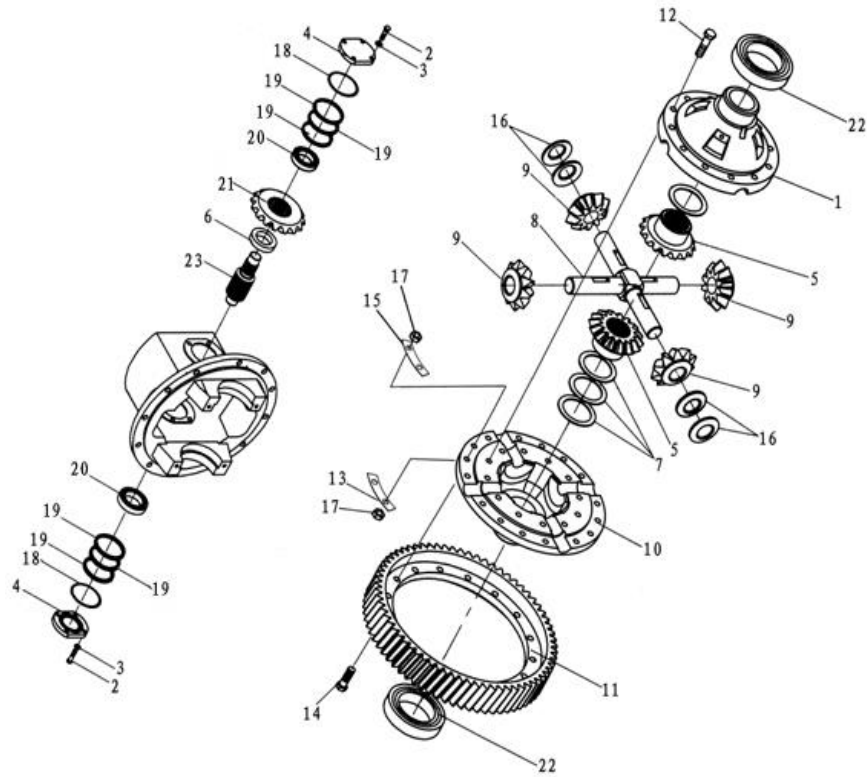


图52/Fig52.

## 减速传动和差速器部分/REDUCTION GEAR AND DIFFERENTIAL PARTS

FD40-M3G (5) 1

FD40-M3G (9) 1



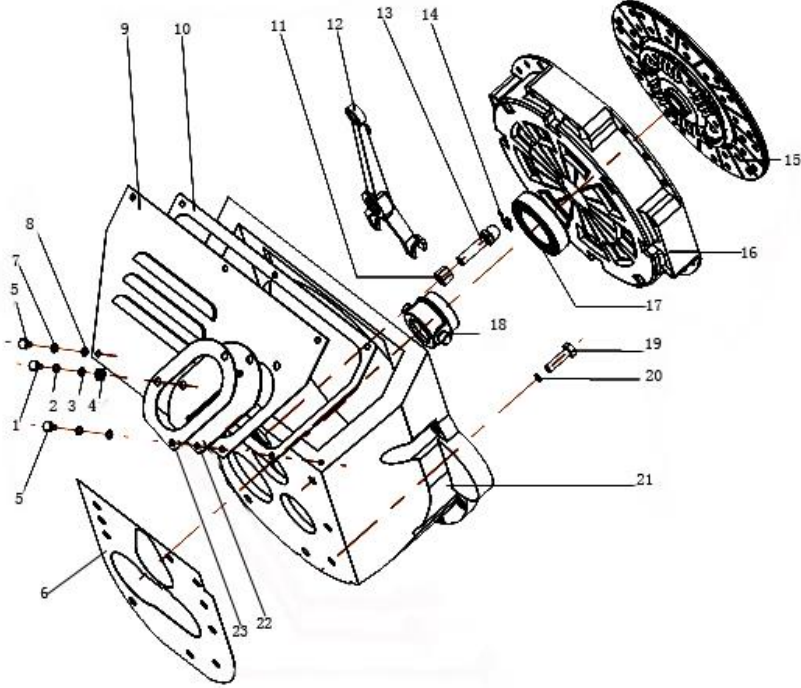
序号	物料代码	代号	名称	数量	备注
Item No.	ID NUMBER	Part No.	Description	Q'ty	Remark
1		YQX25-10001	Differential housing (left)	1	配18/25型
		Y30H-10002	Differential housing (left)	1	配30/37型
2	69000125	GB/T5783-M10*25-8.8J	Bolt M10x25	8	
3	69000053	GB/T93-10	Spring washer 10	8	
4		Y30H-09001	Besaring cover	2	
5		YQX25-10007	Gear, half axle	2	配18/25型
		Y30H-10007	Gear, half axle	2	配30/37型
		Y30H-X10007	Gear, half axle	2	配30/37型细齿
6		Y30H-09004	Bushing	1	
7		YQX25-10006	Washer, half axle	2	配18/25型
		Y30H-10006	Washer, half axle	2	配30/37型
8		YQX25-10003	Shaft	1	配18/25型
		Y30H-10003	Cross shaft	1	配30/37型
9		YQX25-10005	Gear, pinion	4	配18/25型
		Y30H-10005	Gear, pinion	4	配30/37型
10		YQX25-10002	Differential housing (right)	1	配18/25型
		Y30H-10001	Differential housing (right)	1	配30/37型
11		YQX25-10010	Gear ring	1	配18/25型
		Y30H-10012	Gear ring	1	配30/37型
		Y30H-10012-2	Gear ring	1	配30S/37S型
12		Y30H-10008A	Bolt	12	配30/37型
13		YQX25-10009	Washer ,lock plate	6	配18/25型
		Y30H-10011	Washer ,lock plate	8	配30/37型
14		YQX25-10008A	Bolt	12	配18/25型
		Y30H-10010A	Bolt	16	配30/37型



图53/Fig53.

## 离合器部分/CLUTCH PARTS

FD40



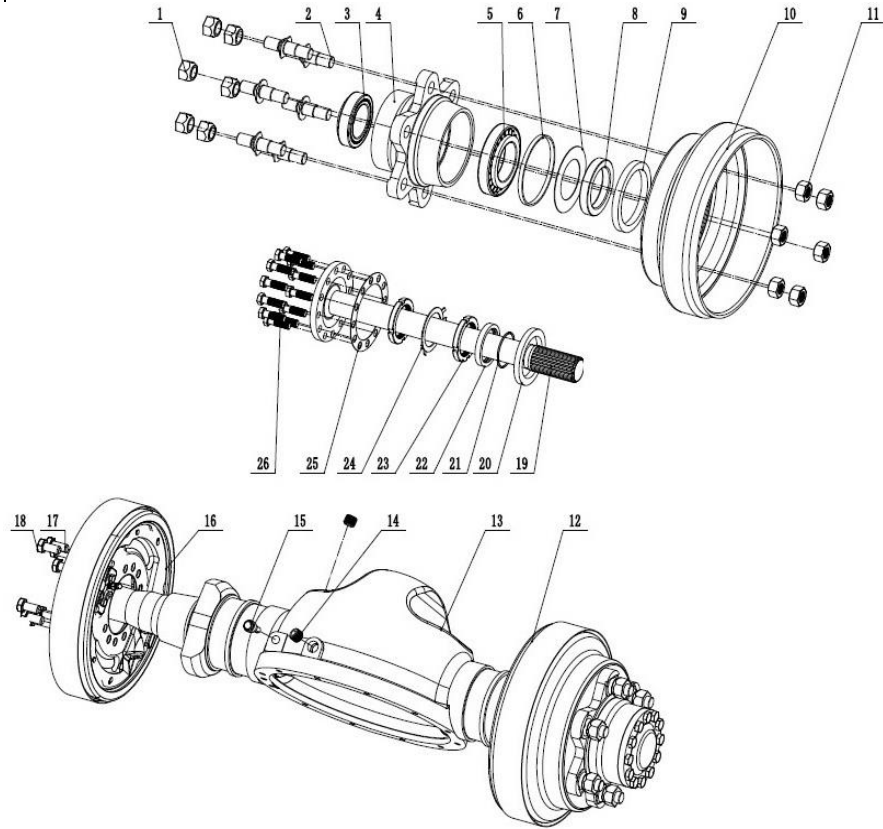
序号	物料代码	代号	名称	数量	备注
Item No.	ID NUMBER	Part No.	Description	Q'ty	Remark
1	69135248	GB/T5783-2000-M8*16	Bolt M8×16	2	
2	69000062	GB/T93-8	Spring washer 8	2	
3	69000259	GB/T97.1-8	Flat washer 8	2	
4	69000112	GB/T6170-M8-8J	Nut M8	2	
5	69000190	GB/T5783-M6*16-8.8J	Bolt M6×16	5	
6		J30H-07002	Clutch bushing	1	
7	69000060	GB/T93-6	Spring washer 6	5	
8	69000258	GB/T97.1-6	Flat washer 6	5	
9		J30H-07007A	Clutch cover	1	
10		J30H-07012A	Cutch cover bushing	1	
11		J30H-07010	Adjusting nut	1	
12		J30H-07003	Clutch release fork	1	
13		J30H-07006A	Ball-ended supporting	1	
13		J30H-07006B	Ball-ended supporting	1	
14		J30H-07005	Snap ring	1	
15		J30H-07500A	Clutch drivendisc assy and cover	1	
15		JDS37-07500A	Clutch drivendisc assy and cover	1	配37型
16		J30H-07200	Clutch pressure plate and cover	1	三爪式
		J30H-07300	Clutch pressure plate and cover	1	膜片式
		J30H-07300A	Clutch pressure plate and cover	1	膜片式
		JDS37-07200	Clutch pressure plate and cover	1	配37型三爪式
		JDS37-07300	Clutch pressure plate and cover	1	配37型膜片式
		JDS37-07300A	Clutch pressure plate and cover	1	配37型膜片式
17		JDS30 II .007	Release bearing clutch 9688211	1	
18		J30H-07004	Clutch release collar	1	



图54/Fig54.

## 2.5t驱动桥/2.5t DRIVE AXLE

FD25 (T)



序号	物料代码	代号	名称	数量	备注
Item No.	ID NUMBER	Part No.	Description	Q'ty	Remark
		Q02A1-03000	Drive axle		2.5T(安庆)
1		24354-32311B	Cone nut	12	白锌
2		24353-72001B	Column bolt	12	白锌
3	69135214	Z-33012	Tapered roller bearing 33012	2	
4	69135215	A20A3-02011JXX	Wheel hub	2	QT450-10
5	69135216	Z-30214	Tapered roller bearing 30214	2	
6	69021320	22493-00020G	Spare washer $\Phi 125 \times \Phi 119 \times 7.55$	2	
7	69021319	22493-00030G	Oil retainer ring $\Phi 118 \times \Phi 72.5 \times 1$	2	
8		224453-02121G	Oil seal retainer ring	2	
9	69135217	Z6351-01004	Oil seal $\Phi 100 \times \Phi 125 \times 12$	2	
10	69135218	22673-02031	Brake hub	2	HT25-47
11		B4223-00020B	Nut M20X1.5	12	白锌
12	69131591	Q02A1-1790R	Wheel brake ass'y (right)	1	
13	69135220	A22A3-02041A	Drive axle housing	1	QT450-10
14	69092922	22193-03001	Screw plug	3	
15	69070030	90106-65690	Breather plug ass'y	1	
16	69131590	Q02A1-1270L	Wheel brake ass'y (left)	1	
17	69135221	25953-72001	Brake bolt	4	
18	69135222	A22A3-02051	Brake bolt	12	
19	69057812	A20A3-02021	Half axle	2	
20	69134528	25555-00009	Oil seal 75x100x10	2	
21	69135223	25555-00008	O-ring 59.6x2.4	2	
22	69131614	25555-00007	Bushing	2	
23	69130892	25555-00004	Round nut M58x2	4	
24	69130893	25555-00006	Stop washer d=58	2	

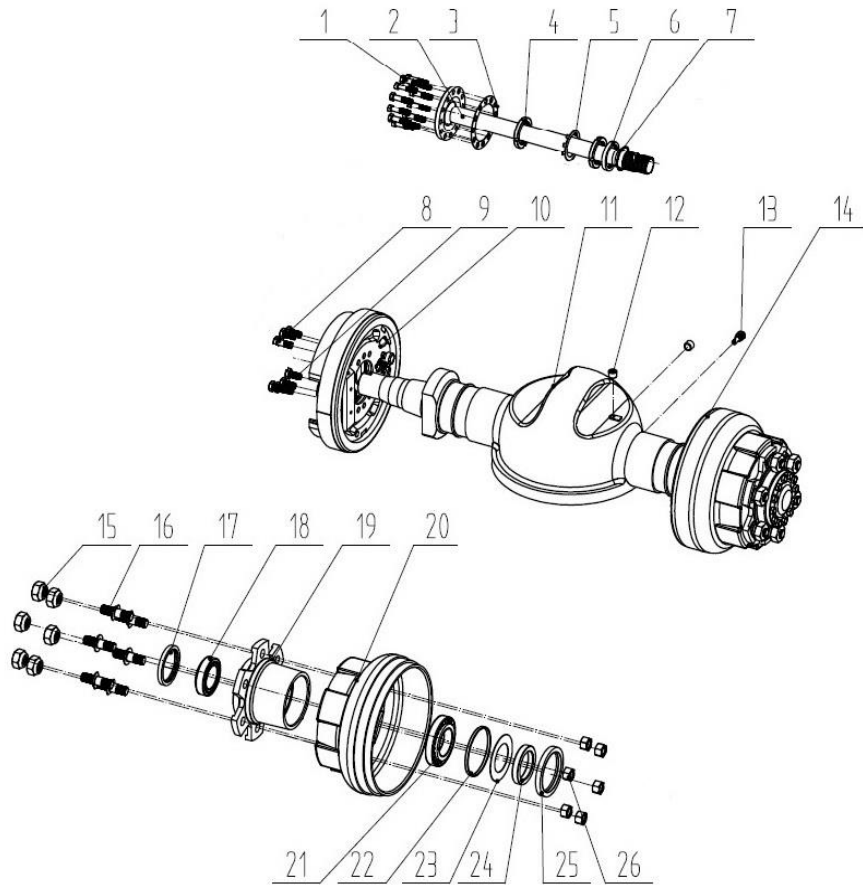




图55/Fig55.

FD30-38 (T)

## 3-3.8t驱动桥/3-3.8t DRIVE AXLE



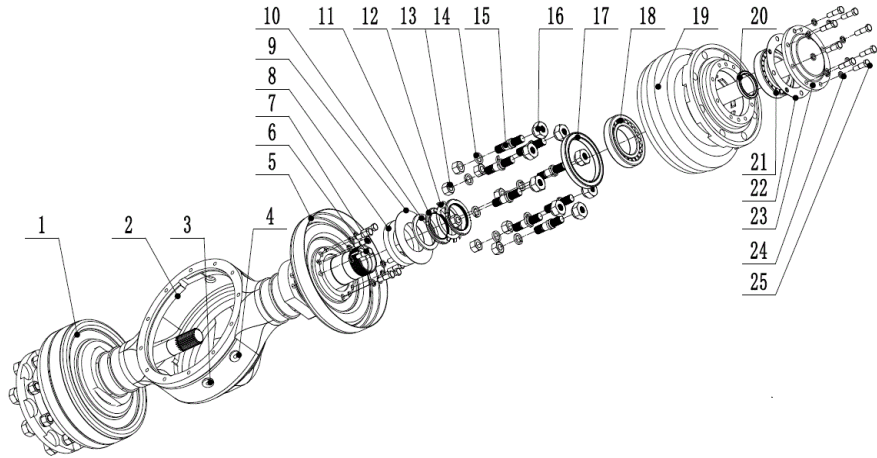
序号	物料代码	代号	名称	数量	备注
Item No.	ID NUMBER	Part No.	Description	Q'ty	Remark
		Q03A1-30000	Drive axle		3-3.8T(安庆)
1		24453-02061B	Bolt, half axle	24	白锌
2	69011550	A22J3-02011	Half axle	2	
3	69135224	A22A3-02031	Seal cushion	2	
4	69130892	25555-00004	Round nut M58x2	4	
5	69130893	25555-00006	Stop washer 58	2	
6	69131614	25555-00007	Bushing 60x75x10	2	
7	69135223	25555-00008	O-ring 59.6x2.4	2	
8	69135221	25953-72001	Brake bolt	4	
9	69135222	A22A3-02051	Brake bolt	12	
10	69135227	Q03B1-1790R	Wheel brake ass'y (right)	1	
11	69135226	A22J3-02021A	Drive axle housing	1	
12	69092922	22193-03001	Screw plug	3	
13	69070030	90106-65690	Breather plug ass'y	1	
14	69131592	Q03B1-1270L	Wheel brake ass'y (left)	1	
15		23913-02041B	Wheel hub bolt	12	白锌
16		25303-02102B	Wheel hub bolt	12	白锌
17	69134528	25555-00009	Oil seal ring 75x100x10	2	
18	69135214	Z-33012	Tapered roller bearing 33012	2	
19	69135228	25555-00003	Wheel hub bolt	2	白锌
20	69007794	24453-02131	Brake drum	2	
21	69135216	Z-30214	Tapered roller bearing 30214	2	
22	69021320	22493-00020G	Spare washer $\Phi 125 \times \Phi 119 \times 7.5$	2	
23	69021319	22493-00030G	Oil retainer ring $\Phi 111 \times \Phi 72.5 \times 1$	2	
24	69024872	24453-02121G	Oil seal retainer ring $\Phi 72 \times \Phi 100 \times 16$	2	



图56/Fig56.

x4t驱动桥/x4t DRIVE AXLE

FD40 (T)



序号	物料代码	代号	名称	数量	备注
Item No.	ID RUMBER	Part No.	Description	Q' ty	Remark
	69089038	40316X-01000A	DRIVE AXLE	1	19.12.02开始暂停
-	69089038	40316X-01000A	DRIVE AXLE	1	19.12.02开始执行
1		24453-70401	Wheel brake ass'y (right)	1	
2	69061460	MIN04-200	Axle housing ass'y	3	
3	69092922	22193-03001	Screw plug	1	
4	69121281	22253-02063c	Breather plug ass'y	1	
5	69138433	24453-70411	Wheel brake ass'y(left)	12	
6	69135222	A22A3-02051	Wheel brake Bolt	4	
7	69135221	25953-72001	Wheel brake Bolt	2	
8		MIN04-500	Oil seal washer	2	
9		MIN04-300	Spare washer	2	
10		MIN04-700	Washer	4	
11	69032992	MIN04-800	Round nut M80x1.5	2	
12		B5512-00080	Stop washer 80	12	
13		B4223-00020B	Nut M20x1.5	16	白锌
14	69139503	B5050-00020B	Washer 20	12	白锌
15	69124151	MIN04-600B	Hub bolt	12	
16		23913-02041B	Hub nut	2	
17	69072080	Z6162-13015	Oil seal 130×160×15	2	
18		Z-30217	Tapered roller bearing30217	2	
19	69087923	MIN04-400	Brake drum	2	QT450-10
20	69120306	Z6162-05010	Oil seal 50×68×10	2	
21	69089296	10H0000-00017	Tapered roller bearing 32216	2	
22	69089466	MIN04-900	Washer, half axle	2	
23	69061460	MIN04-200	Half axle	2	







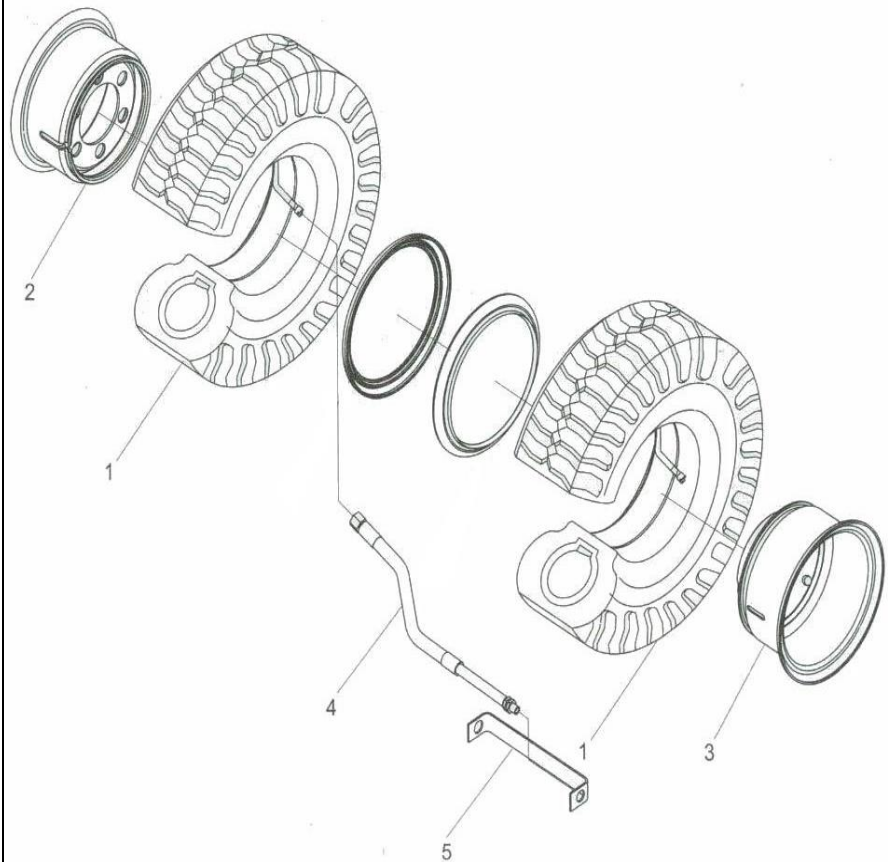




图60Fig60.

## 驱动轮 (3-3.8t双轮) /DRIVE WHEEL(3-3.8t DOUBLE TIRE)

FD30-38 (T)



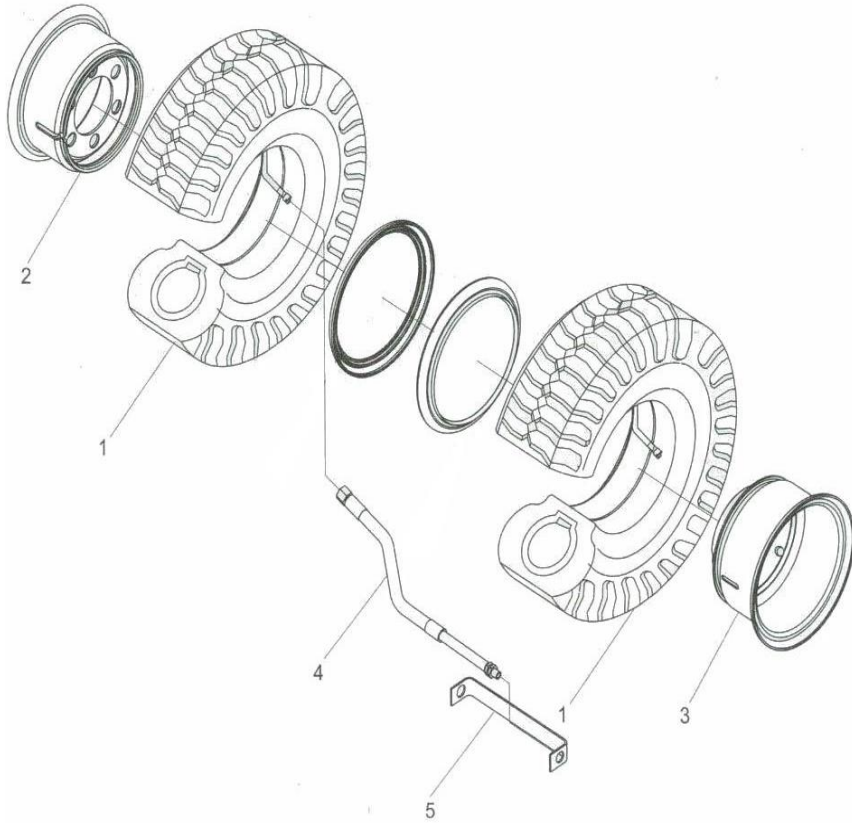
序号	物料代码	代号	名称	数量	备注
Item No.	ID NUMBER	Part No.	Description	Q'ty	Remark
A		-	Front Wheel Ass'y	2	
1	69002500	M3033301000-1-C	Tire (28×9-15-14PR)	4	
2	69096538	M3033302000-2-H	Rim ass'y ( 7.00T-15)	2	
3	69096544	30S21-01000-2-H	Rim ass'y (7.00T-15)	2	
4	69002155	30S21-00006	Extended air cock	2	
5	69037432	30S21-00003A	Air cock bracket	2	



图62/Fig62.

驱动轮 (x4t双轮) /DRIVE WHEEL(x4t DOUBLE TIRE)

FD40 (T)

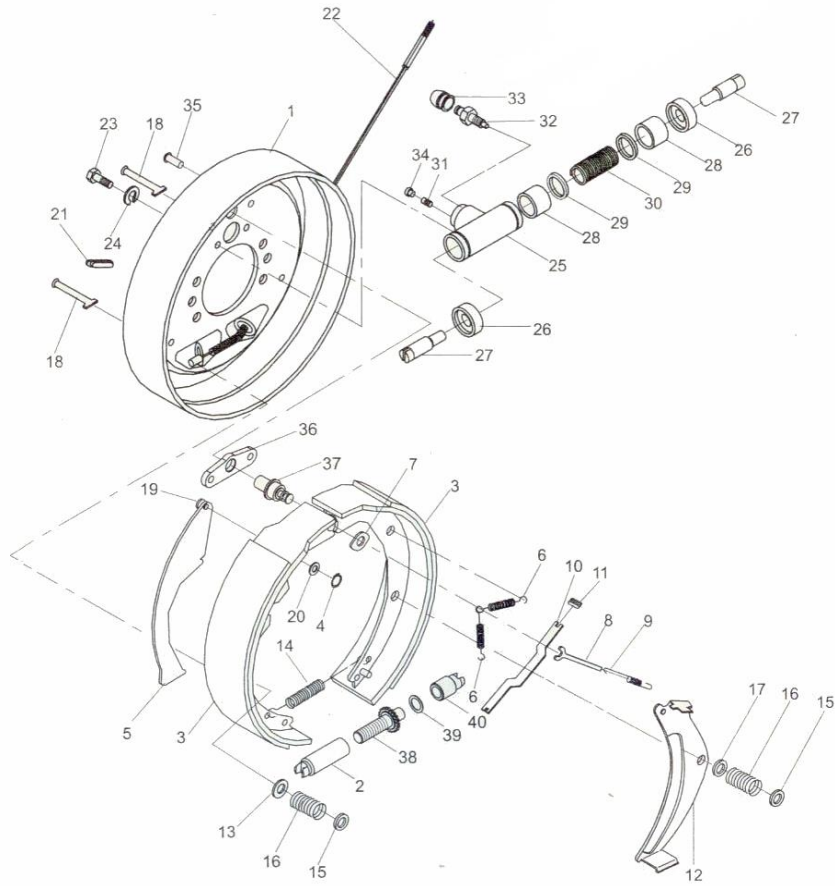


序号	物料代码	代号	名称	数量	备注
Item No.	ID RUMBER	Part No.	Description	Q' ty	Remark
A		-	Front Wheel Ass'y	2	
1	69012399	40333X-01000-1-C	Tire ass'y ( 250-15-16PR)	4	
2	69016359	40S21-01000	Rim (7.50V-15)	2	
3	69016360	40S21-02000	Rim( 7.50V-15)	2	
4	69002155	30S21-00006	Extended air cock	2	
5	69037432	30S21-00003A	Air cock bracket	2	

图63/Fig63.

轮式制动器 (2.5t) /WHEEL BRAKE(2.5t)

FD25 (T)

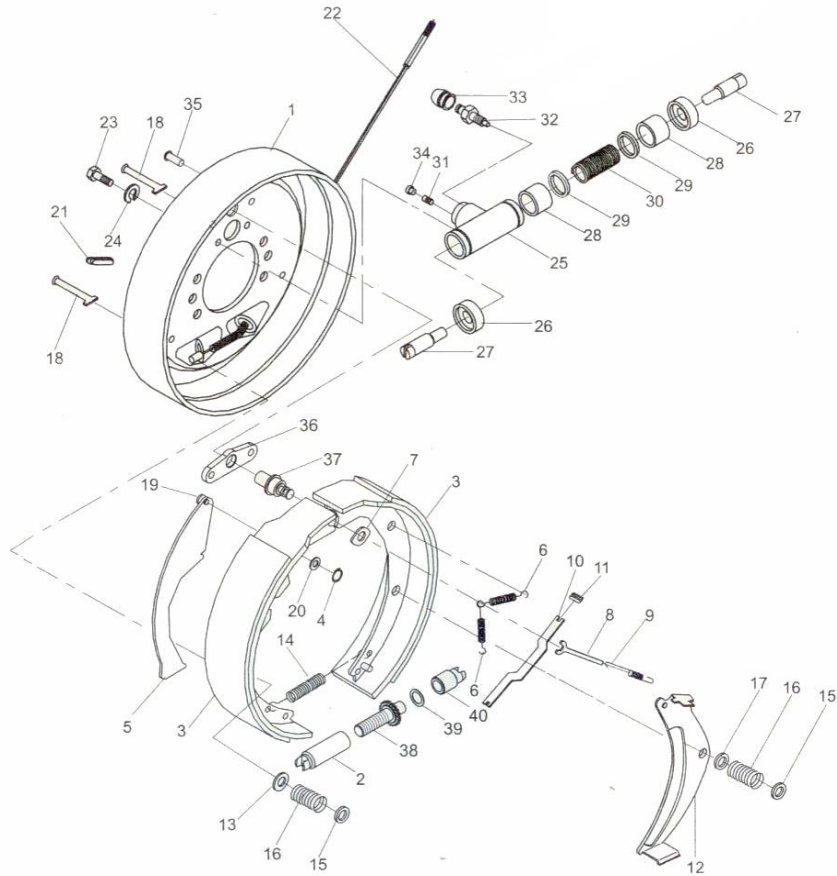


序号	物料代码	代号	名称	数量	备注
Item No.	ID NUMBER	Part No.	Description	Q'ty	Remark
A		-	Wheel Brake Ass'y	1	
1	69135229	23653-73011	Brake plate	1	
2	69135230	23653-72041	Space-adjusting sleeve	1	
3	69135231	23653-73021	Brake shoe ass'y	2	
4	69135232	24433-70160G	Spring Washer	1	
5	69135233	23653-72071C	Parking brake lever	1	
6	69135234	23673-72261	Returning spring	2	
7	69135235	23653-72131	Washer	1	
8	69135236	23653-72161	Mandrel	1	
9	69135234	23673-72261	Returning spring	1	
10	69024875	23653-72081	Parking brake strut	1	
11	69135237	23673-72391	Compressed spring	1	
12	69024876	23653-72151	Adjusting rod	1	
13	69135238	23653-72191	Compressed spring seat	3	
14	69135239	23653-72051	Spring	1	
15	69135240	23653-72111	Compressed spring cap	4	
16	69135241	23653-72091	Spring	4	
17	69135242	23653-72121	Compressed spring seat	1	
18	69008123	23653-72101	Compressed spring rod	4	
19	69135243	22673-72231	Supporting pin	1	
20	69135244	22673-72251	Washer	1	
21	69135245	22673-72321	Rubber plug	1	
22	69006655	0C11246-14603-30EX	Parking brake cable ass'y(left)	1	
-	69006656	0C11246-24603-30EX	Parking brake cable ass'y(right)	1	
23	69135248	GB/T5783-2000-M8*16	Bolt M8×16	2	

图63/Fig63.

## 轮式制动器 (2.5t) /WHEEL BRAKE(2.5t)

FD25 (T)

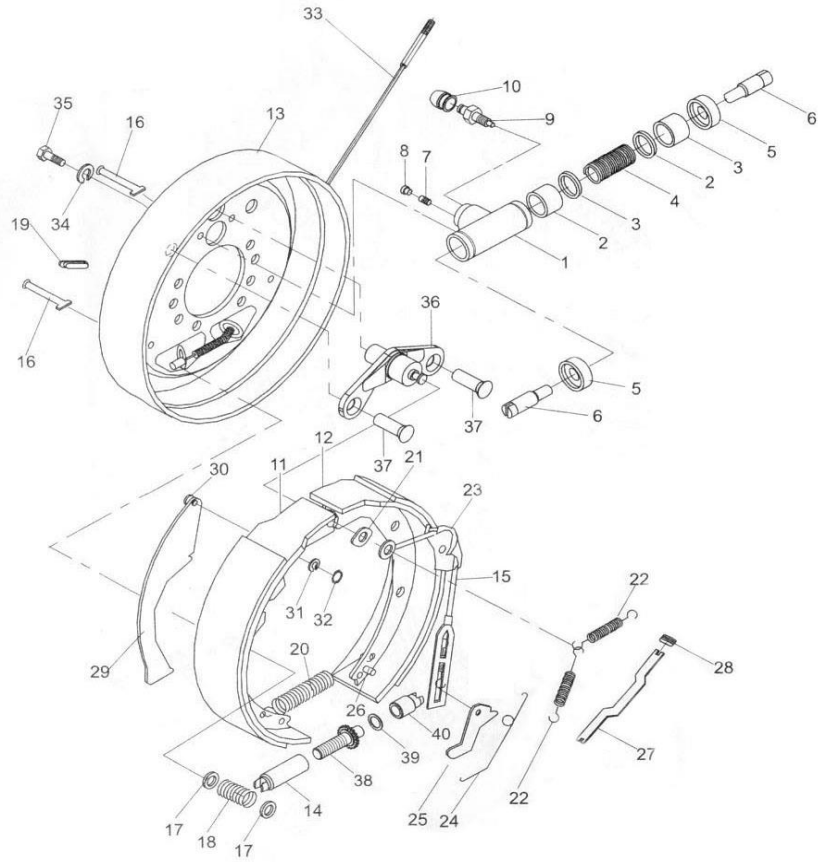


序号	物料代码	代号	名称	数量	备注
Item No.	ID NUMBER	Part No.	Description	Q'ty	Remark
24	69000062	GB/T93-8	Washer 8	2	
B	69135249	22373-72041	Brake pump ass'y	1	
25	69135250	22673-72061	Brake pump body	1	
26	69135251	22673-72101	Brake pump shield	2	
27	69135252	22673-72111	Brake pump piston rod	2	
28	69135253	22673-72071	Piston	2	
29	69135254	22673-72081G	Brake pump cup	2	
30	69135255	22673-72091	Brake pump spring	1	
31	69135256	24433-76070G	Brake pump plug	1	
32	69135257	22443-76090G	Brake pump deflation screw	1	
33	69135258	22453-76100G	Brake pump deflation screw cap	1	
34	69135259	22493-74010G	Dust-proof cap	1	
35	69134527	Q02B1-1790-1	Rivet	2	
36	69135260	Q02B1-1790-2	Plate	1	
37	69129652	Q02B1-1790-3	Supporting pin	1	
38	69135261	23493-72020G	Space-adjusting bolt	1	
39	69135262	B5310-00010	Washer 10	1	
40	69024878	23493-72030G	Space-adjusting rod	1	

图64/Fig64.

轮式制动器 (3-3.8t) /WHEEL BRAKE(3-3.8t)

FD30-38 (T)

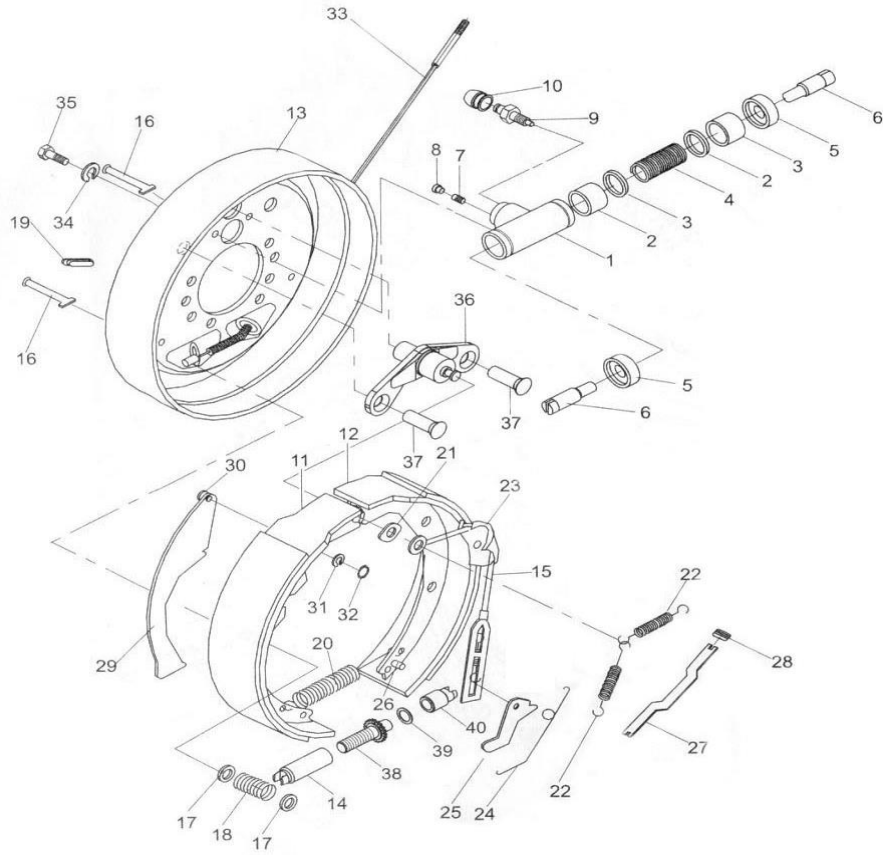


序号	物料代码	代号	名称	数量	备注
Item No.	ID NUMBER	Part No.	Description	Q'ty	Remark
A		-	Wheel Brake Ass'y	1	
B	69135263	24433-76000G	Brake pump ass'y	1	
1	69135264	24433-76010G	Brake pump body	1	
2	69135265	24433-76020G	Bake pump piston	2	
3	69135266	24433-76030G	Brake pump cup	2	
4	69135267	24433-76040G	Brake pump spring	1	
5	69135251	22673-72101	Brake pump shield	2	
6	69135268	24433-76060G	Brake pump piston rod	2	
7	69135256	24433-76070G	Brake pump plug	1	
8	69135269	24433-76080G	Dustproof whorl cap	1	
9	69011657	24433-76090G	Brake pump deflation screw	1	
10	69135270	24453-76100G	Brake pump deflation screw cap	1	
11	69135271	24433-71000G-30E×	Brake shoe with friction plate ass'y(front)	1	
12	69135272	24433-75000G-30E×	Brake shoe with friction plate ass'y(rear)	1	
13	69135273	24433-72000G	Brake plate ass'y	1	
14	69129654	Q03B1-1790-1	Space-adjusting sleeve	1	
15	69008118	24433-73000G	Spring fitting	1	
16	69135274	24433-70010G	Compressed spring rod	2	
17	69135275	24433-70020G	Compressed spring seat	4	
18	69135276	24433-70030G	Compressed spring	2	
19	69021300	24433-70040G	Rubber plug	1	
20	69008121	24433-70050G	Returning spring	1	
21	69135277	24433-70060G	Guiding plate	1	
22	69008120	24433-70070G	Brake shoe returning spring	2	
23	69135278	24433-70080G	Guiding block	1	

图64/Fig64.

轮式制动器 (3-3.8t) / WHEEL BRAKE (3-3.8t)

FD30-38 (T)

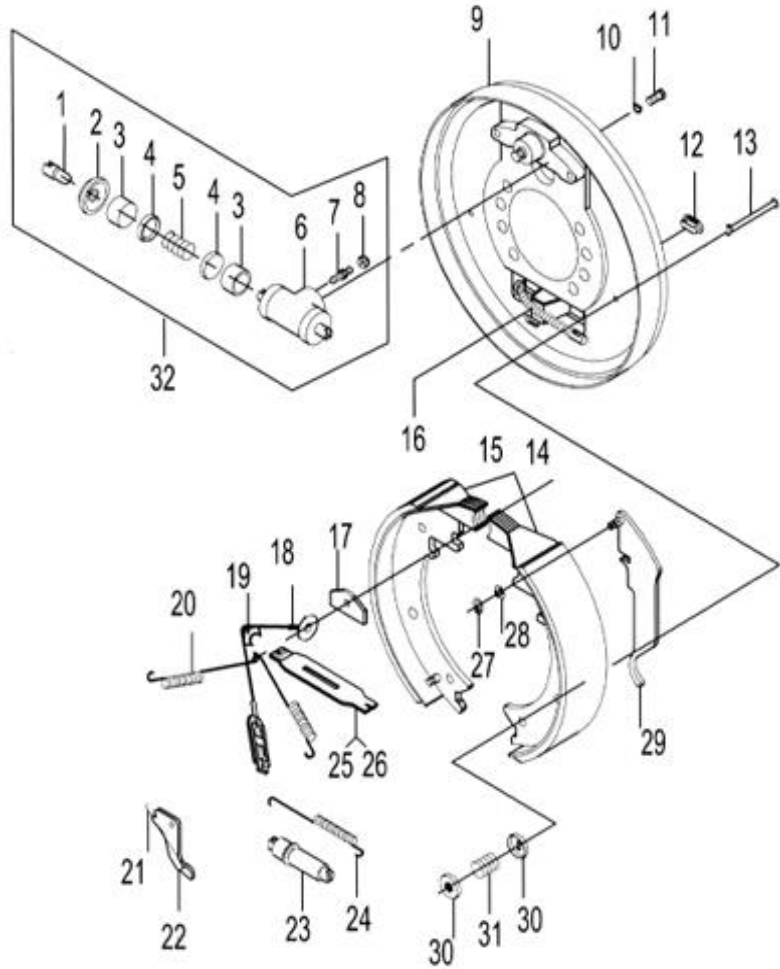


序号	物料代码	代号	名称	数量	备注
Item No.	ID NUMBER	Part No.	Description	Q'ty	Remark
24	69024839	24433-70090G	Spring	1	
25		24433-70100G	Pawl	1	
26		24433-70110G	Pin	1	
27	69135280	24433-70120G-30H	Parking brake strut	1	
28	69024840	24433-70130G	Spring	1	
29	69135281	24433-70140G	Parking brake lever	1	
30	69135282	24433-70150G	Supporting pin	1	
31	69135232	24433-70160G	Spring washer	1	
32	69135283	24433-70170G	Snap spring	1	
33	69006655	0C11246-14603-30EX	Parking brake cable ass'y(left)	1	
-	69006656	0C11246-24603-30EX	Parking brake cable ass'y(right)	1	
34	69000062	GB/T93-8	Washer 8	2	
35	69000309	GB/T5783-M8*16-8.8J	Bolt M8×16	2	
36	69129653	Q03B1-1790-2	Supporting pin	1	
37	69129655	Q03B1-1790-3	Rivet	2	
38	69135286	24433-74020G	Space-adjusting screw	1	
39	69000053	GB/T93-10	Washer 10	1	
40	69024879	24433-74040G	Space-adjusting rod	1	

图65/Fig65.

轮式制动器 (x4t) /WHEEL BRAKE(x4t)

FD40 (T)



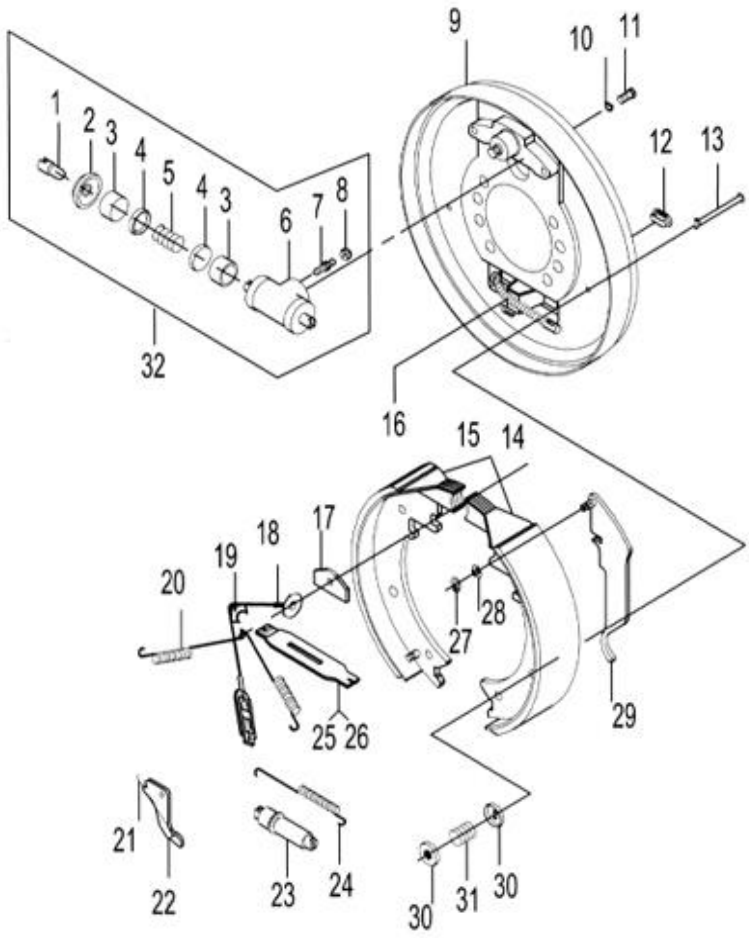
序号	物料代码	代号	名称	数量	备注
Item No.	ID NUMBER	Part No.	Description	Q'ty	Remark
	69040697	74433-0411	Wheel Brake Ass'y (left)	1	
-	69040698	74433-0401	Wheel Brake Ass'y (right)	1	
1		04H0000-00001	Piston rod	2	
2		04H0000-00002	Dustproof cover	2	
3		04H0000-00003	Piston	2	
4		04H0000-00004	Brake pump cup	1	
5		04H0000-00005	Brake pump spring	1	
6		04H0000-00006	Brake pump cylinder	1	
7		04H0000-00007	Deflation screw	1	
8		04H0000-00008	Deflation screw cap	1	
		04H0000-00009	Brake pump plug	1	
		04H0000-00010	Protective whorl plug	1	
9		04H0000-00011	Brake plate ass'y	2	
10	69135150	GB/T93-1987-8	Washer 8	1	
11	69135149	GB/T5783-2000-M8*20	Bolt M8×20	1	
12		04H0000-00012	Rubber plug	2	
13		04H0000-00013	Compressed spring rod	1	
14		04H0000-00014	Brake shoe with friction plate ass'y (front)	1	
15		04H0000-00015	Brake shoe with friction plate ass'y (rear)	1	
16		04H0000-00016	Parking brake cable ass'y(right)	1	
		04H0000-00017	Parking brake cable ass'y(left)	1	
17		04H0000-00018	Guiding plate	1	
18		04H0000-00019	Spring fitting	1	
19		04H0000-00020	Guiding block	各1	
20		04H0000-00021	Brake shoe returning spring	各1	



图65/Fig65.

轮式制动器 (x4t) /WHEEL BRAKE(x4t)

FD40 (T)



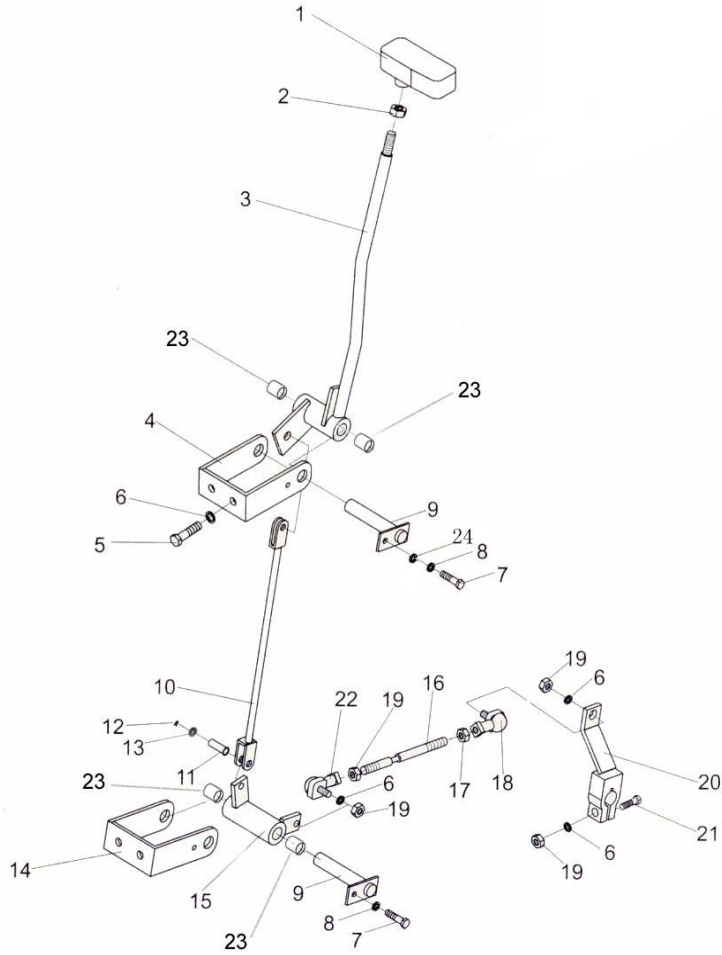
序号	物料代码	代号	名称	数量	备注
Item No.	ID NUMBER	Part No.	Description	Q'ty	Remark
21		04H0000-00022	Spring	1	
22		04H0000-00023	Pawl	1	
23		04H0000-00024	Space adjuster ass'y	1	
24		04H0000-00025	Returning spring	1	
25		04H0000-00026	Parking brake strut	1	
26		04H0000-00027	Spring	1	
27		04H0000-00028	Snap ring	1	
28		04H0000-00029	Spring Washer	1	
29		04H0000-00030	Parking brake lever	1	
		04H0000-00031	Supporting pin	1	
30		04H0000-00032	Compressed spring seat	4	
31		04H0000-00033	Compressed spring	2	
32		04H0000-00034	Brake pump ass'y	1	

图66/Fig66.

变速箱操纵(液力式)/TRANSMISSION CONTROL LINKAGE(MECHANICAL HYDRAULIC TYPE)

FD25/30T-M3G(1)2; FD25/30/35T-M3(16)2; FD25/30/35T-M3(5)2

FD25/30T-M3G(8)2; FD30/35/40T-M3G(9)2; FD30/35T-M3WE2; FGL25/30/35T-M3WA2

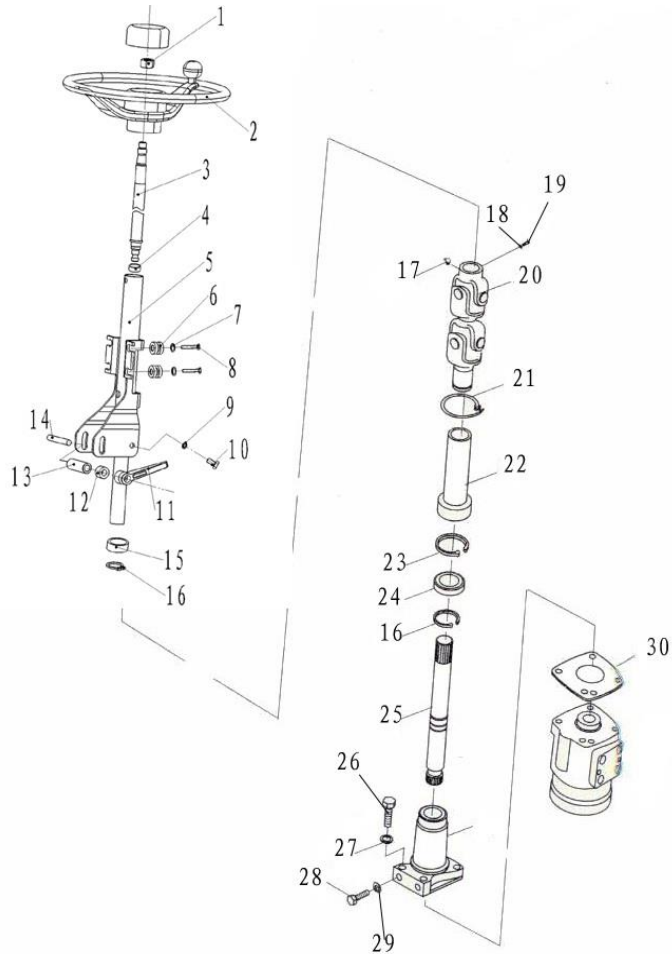


序号	物料代码	代号	名称	数量	备注
Item No.	ID NUMBER	Part No.	Description	Q'ty	Remark
A		-	Transmission Control	1	
1		M3043906000	Knob	1	
2	69017617	GB/T6172.1-M10-8J	Nut M10	1	
3		M3043907000	Lever	1	
4		M3043908000	Bracket(Top)	1	
5	69000200	GB/T5783-M8*25-8.8J	Bolt M8×25	4	
6	69000062	GB/T93-8	Washer 8	7	
7	69000189	GB/T5783-M6*12-8.8J	Bolt M6×12	2	
8	69000060	GB/T93-6	Washer 6	2	
9		M3043901000	Pin shaft	2	
10		M3043902000	Pull rod	1	
11	69008070	GB/T882-Φ8*18	Pin shaft8×18	2	
12	69009082	GB/T91-3.2*25	Cotter pin 3.2×25	2	
13	69000259	GB/T97.1-8	Washer 8	2	
14		M3043909000	Bracket(Bottom)	1	
15		M3043903000	Rocker arm ass'y	1	
16		M3043900001	Linking rod	1	
17	69000112	GB/T6170-M8-8J	Nut M8(left)	1	
18	69021313	M6043912000左	Oscillating bearing	1	
19	69000112	GB/T6170-M8-8J	Nut M8(left)	4	
20		M3043905000	Linking rod	1	
21	69135108	GB/T5783-2000-M8*50-10.9J	Bolt M8×50	1	
22	69021314	M6043912000右	Oscillating bearing	1	
23		SF-1 1625	Bushing bearing 1625	4	
24	69000258	GB/T97.1-6	Washer 6	2	

图67/Fig67.

## 转向装置及安装/STEERING SYSTEM

FD25-40 (T)

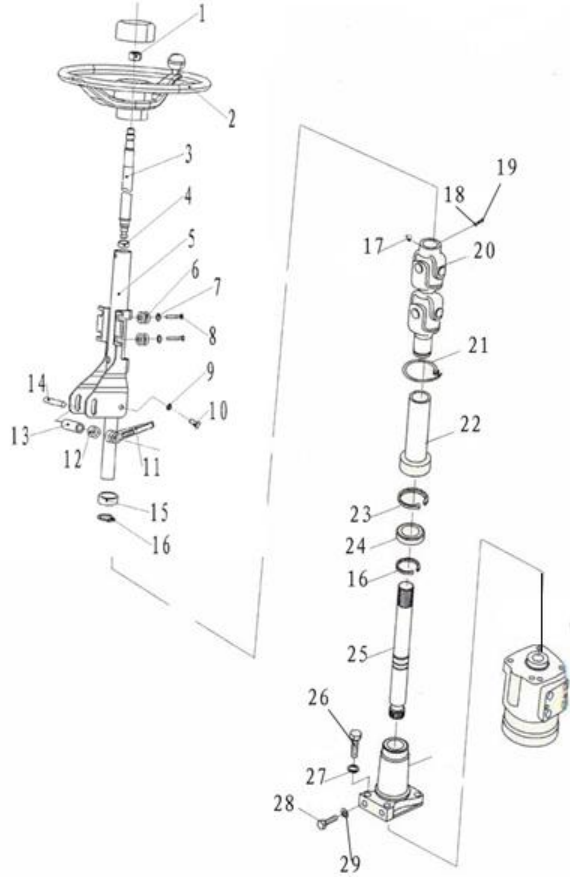


序号	物料代码	代号	名称	数量	备注
Item No.	ID RUMBER	Part No.	Description	Q' ty	Remark
1	69000253	GB/T97.1-16	Washer 16	1	
2	69001646	M2034201000	Steering wheel ass'y Φ300	1	2-2.5t
-	69001648	M3034201000	Steering wheel ass'y Φ360	1	3-x4t
3	69024869	A73J4-12052	Steering shaft	1	
4	69024868	A22A2-46001	Bushing (Top)	1	
5	69001644	M3034202000	Direction Column	1	
6	69020884	M3034200007	Rubber pad	4	
7	69000083	GB/T96.1-6	Washer 6	4	
8	69011770	GB/T5782-M6*35-8.8J	Bolt M6×35	4	
9	69136211	M2577400003	Multi-way valve nylon bushing	2	
10	69000293	M3034200006	Bolt	2	
11	69025906	45742-02000	Lock handle 98RA-M12-S	1	
12	69023127	30342M-00002	pad	1	
13	69023128	30342M-00003	Casing	1	
14	69023126	30342M-00001	Connecting shaft	1	
15	69136720	GB/T276-1994-61904	bearing 61904-Z	1	
16	69000066	GB/T894.1-Φ20	Axis circlip 20	2	
17	69136259	JB/T7940.1-1995	Oil cup M10×1	1	
18	69000062	GB/T93-8	Washer 8	1	
19	69000311	GB/T5783-M8*35-8.8J	Bolt M8×35	1	
20	69024867	H24C4-10301	Cardan joint ass'y	1	
21		ZD-4×150	Cable tie ZD4×150	1	
22	69001643	M3034200001	Dustproof cover	1	
23		GB/T893.1-Φ37	Orifice Circlipp 37	1	
24	69087567	GB/T276-94	bearing 61904-2Z	1	

图67/Fig67.

FD25-40 (T)

## 转向装置及安装/STEERING SYSTEM

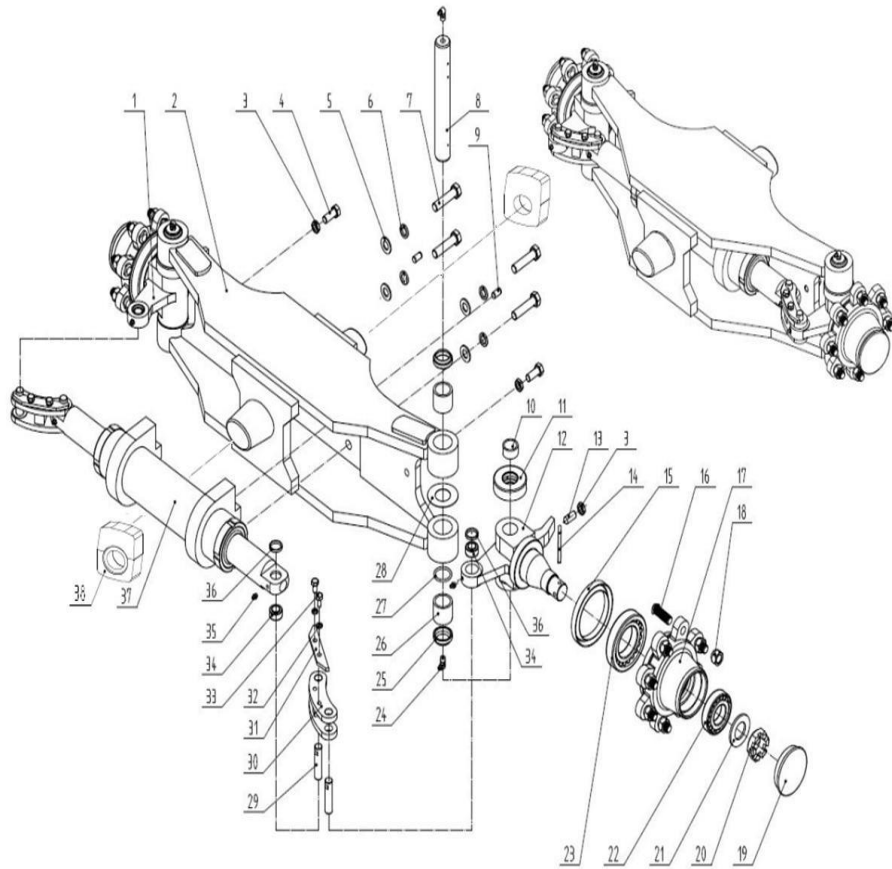


序号	物料代码	代号	名称	数量	备注
Item No.	ID NUMBER	Part No.	Description	Q'ty	Remark
25	69001857	M3034200002	Connecting shaft	1	
26	69017603	GB/T5782-M10*45-8.8J	Bolt M10×45	4	
27	69000053	GB/T93-10	Washer 10	4	
28	69000140	GB/T5786-M12*1.25*45-8.8J	Bolt M12×1.25×45	2	
29	69000054	GB/T93-12	Washer 12	2	

图68/Fig68.

FD25-40 (T)

## 转向桥及安装/STEERING AXLE

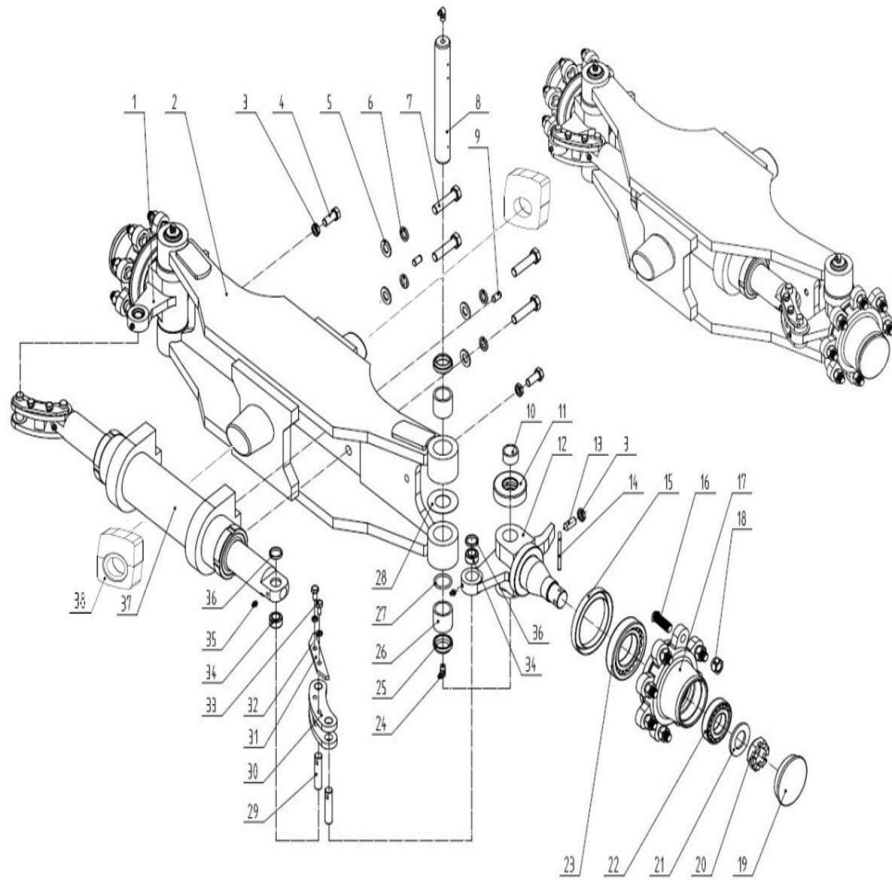


序号	物料代码	代号	名称	数量	备注
Item No.	ID NUMBER	Part No.	Description	Q'ty	Remark
-	69003006	M3034301000	Steering axle	1	2-2.5t (安庆)
-	69003006	M3034301000	Steering axle	1	3-X4t (安庆)
1	69136262	H24C4-32171A	Knuckle ass'y(left)	1	
2	69135288	H95C4-30301	Steering axle body	1	2-2.5t
-	69135317	H24N4-30302	Steering axle body	1	3-X4t
3	69135289	B4133-00012B	Nut M12	4	
4	69135290	B0330-12040B	Bolt M12×40	2	
5	69135292	B5050-00014B	Washer 14	4	
6	69135291	B5313-00014	Washer 14	4	
7	69135293	B0330-14045B	Bolt M14×45	4	
8	69135294	A21B4-32222	Knuckle master pin	2	
9	69130896	B3130-10020	Cylindrical pin 10×20	1	
10	69003540	A21B4-12001	Bushing	2	
11	69135295	Z-198908K	One-way thrust ball bearing 198908K	2	
12	69136263	H24C4-32181A	Knuckle ass'y(right)	1	
13	69135297	B8050-12030B	Hexagon taper-end tightening screw M12x30	2	
14	69130894	B3010-6P350	Cotter pin 6.3×50	2	
15	69100640	Z6301-08524	Oil seal B85x110x12D	2	
16	69135298	23654-32041B	Hub bolt	16	
17	69005334	A21B4-32241	Hub	2	
18	69130891	23654-34051B	Hub nut	16	
19	69135299	1218-10200	Hub cap	2	
20	69005337	A21B4-32311	Nut M20x2	2	
21	69092923	G27Z4-30711	Washer 30	2	
22	69003303	GB/T292-30207	Tapered roller bearing30207	2	

图68/Fig68.

## 转向桥及安装/STEERING AXLE

FD25-40 (T)

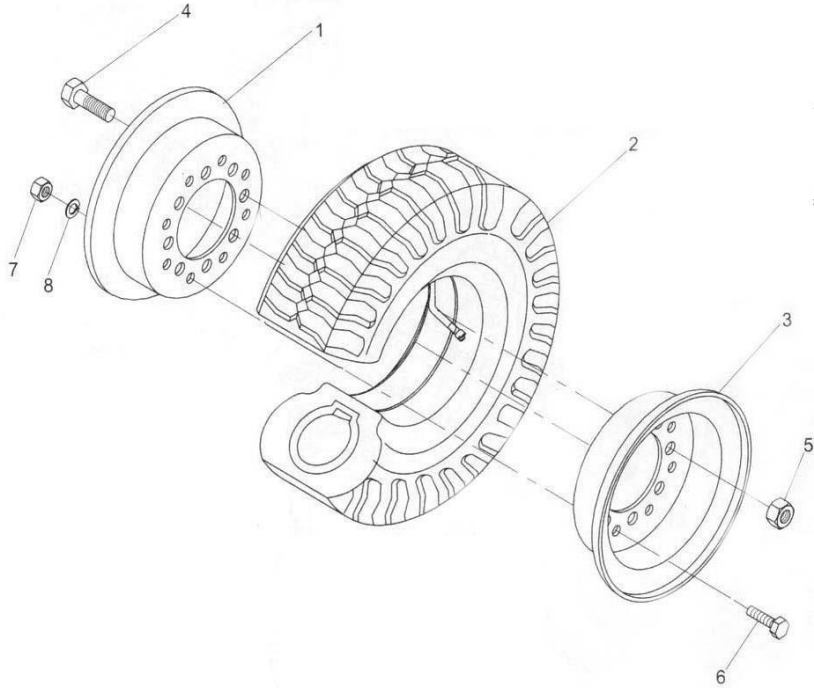


序号	物料代码	代号	名称	数量	备注
Item No.	ID NUMBER	Part No.	Description	Q'ty	Remark
23	69135302	Z-30211	Tapered roller bearing30211	2	
24	69135303	Q701B90	90° bended Nipple Z1/8	4	
25	69003338	23654-32081	Oil seal	4	
26	69135304	Z-943/32	Needle bearing $\phi 32 \times \phi 40 \times 32$	4	
27	69135305	23654-32161	O-ring	2	
28	69135306	22214-30321	Steering knuckle adjusting washer	2	
29	69135307	A21B4-32261AB	Pin	4	
30	69135308	A21B4-32081B	Linking rod	2	
31	69135309	A21B4-32300B	Baffle	2	
32	69135310	B5050-00008B	Washer 8	4	
33	69135311	B0330-08016B	Bolt M8×16	4	
34	69135312	Z-GE16ES	Oscillating knuckle bearing GE16ES	4	
35	69135313	Q700B06	Straight-through nipple M6	4	
36	69135314	H24C4-12003	Bushing	4	
37	69135315	H24C4-50402CQ	Steering cylinder ass'y	1	
38	69135316	H24N4-32451	Bumper Block	2	

图69/Fig69.

转向轮总成/STEERING WHEEL

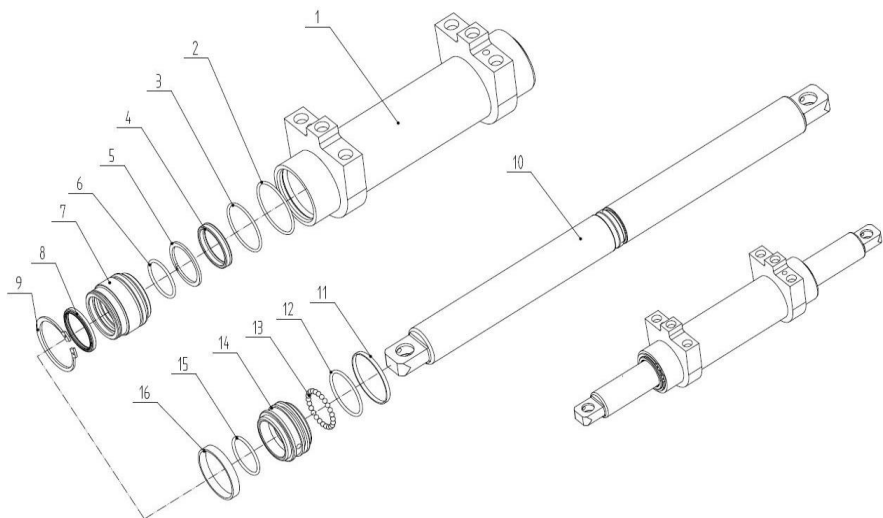
FD25-40 (T)



序号	物料代码	代号	名称	数量	备注
Item No.	ID RUMBER	Part No.	Description	Q'ty	Remark
A		-	Rear Wheel Ass'y	2	
1	69041143	M2034402000-H	Rim, inside ( 4.00E-9 )	2	2-2.5t
-	69136721	M3034402002	Rim, inside ( 5.00F-10 )	2	3-x4t
2	69002503	M2034401000-1-C	Tire ( 6.00-9-10PR)	2	2-2.5t
-	69002504	M3034401000-1-C	Tire ( 6.50-10-10PR)	2	3-x4t
3	69136165	M2034402001	Rim, outside ( 4.00E-9 )	2	2-2.5t
-	69136722	M3034402001	Rim, outside ( 5.00F-10)	2	3-x4t
4	69130890	23654-32041	Hub Bolt M14×45	16	驱动桥自带
5	69130891	23654-34051B	Hub Nut M14	16	驱动桥自带
6	69006035	M3034400001	Rim bolt	16	
7	69020188	GB/T6170-M12	Nut M12	16	
8	69000054	GB/T93-12	Washer 12	16	

图70/Fig70.

转向油缸/STEERING CYLINDER



序号	物料代码	代号	名称	数量	备注
Item No.	ID RUMBER	Part No.	Description	Q' ty	Remark
A		-	Steering cylinder ass'y	1	
1	69136723	H24C4-52142SA	Steering body ass'y	1	
2	69130899	H24C4-52002S	Snap ring	2	
3	69130906	Z6003-07003	O-ring 70×3.1	2	
4	69136219	RUJ000500-Z20	Seal ring 50×60×6	2	
5	69127786	22658-52301	Snap ring 50×60×3	2	
6	69130907	Z6053-04973	O-ring 49.7×3.55	2	
7	69136157	H24C4-52003S	Horizontal cylinder cap	2	
8	69136218	WDJ200500-Z201	Dust-proof seal 50×58×5/6.5	2	
9	69130897	B6152-00065	Axis circlip 65	2	
10	69136724	H24C4-52153SA	Piston rod 50×681	1	
11	69130901	H24C4-53171	Bearing ring	1	
12	69130908	Z6053-06003	O-ring 60×3.55	1	
13	69136156	Z1505-00060	Steel ball 6	26	
14	69136155	H24C4-52163SA	Piston/69.7×40	1	
15	69130905	Z6003-05004	O-ring 50×3.5	1	
16	69129765	H24C4-53001S	Bearing ring 70×10×2.5	1	

图71/Fig71.

油门操纵/ACCELERATOR PEDAL



FD25/30/35(T)-M3G(1)1, M3G(1)2, M3G(1)3

FD25/30/35(T)-M3G(16)1, M3(16)2, M3G(16)3

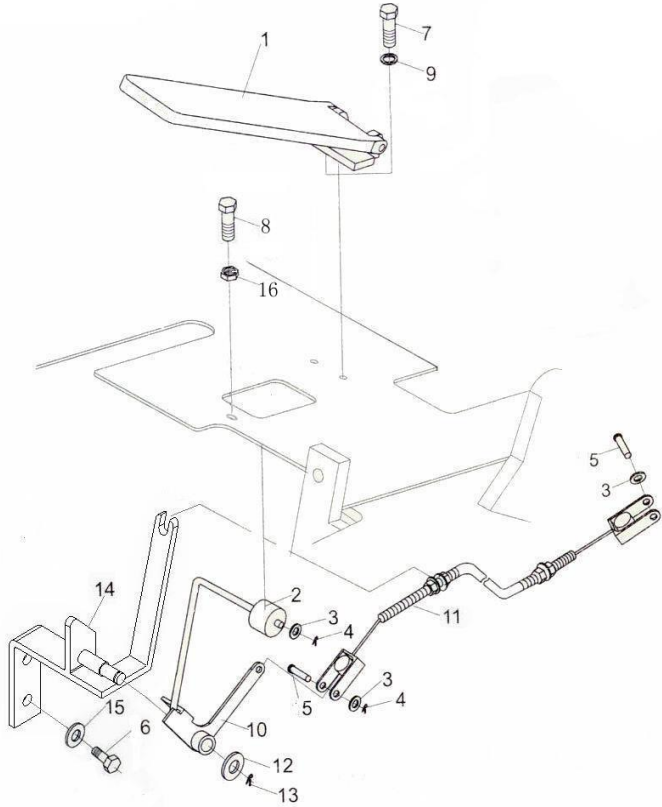
FD25/30/35(T)-M3G(5)1, M3G(5)2, M3G(5)3 ; FD38/40-M3G(5)1

FD25/30/40T-M3WV3; FD30/35(T)-M3WE1, M3WE2, M3WE3; FD40T-M3WE3

FD25/30/35(T)-M3WB1, M3WB3; FD25(T)-M3WE1, M3WE3

FG(L)25/30/35(T)-M3WA1, M3WA2, M3WA3

FD25/30/35(T)-MG(2)1/MG(2)2/MG(2)3



序号	物料代码	代号	名称	数量	备注
Item No.	ID NUMBER	Part No.	Description	Q'ty	Remark
A		-	Accelerator ass'y	1	
1	69001946	M3035201000	Accelerator pedal	1	
2	69136241	M3035203201	Nylon stick	1	
3	69000258	GB/T97.1-6	Washer 6	3	
4	69006485	GB/T91-3*20	Cotter Pin 3×20	3	
5	69007191	GB/T882-Φ6*20	Pin B6×20	1	
6	69000125	GB/T5783-M10*25-8.8J	Bolt M10×25	12	
7	69000190	GB/T5783-M6*16-8.8J	Bolt M6×16	2	
8	69124121	M6045200003A	Bolt	1	
9	69000060	GB/T93-6	Washer 6	2	
10		M30452I04200	Pedal rod	1	
11	69078039	M30352-01000(III)	Accelerator cable	1	
12	69000250	GB/T97.1-10	Washer 10	1	
13	69006485	GB/T91-3*20	Pin 3×20	1	
14		M3035203100	Bracket plate	1	2.5-3.5t机械车
-	69083603	MJ30452-01000	Bracket plate	1	2.5-x4t液力车
15	69000053	GB/T93-10	Washer 10	2	
16	69000314	GB/T6171-M12*1.25-8J	Nut M12×1.25	1	

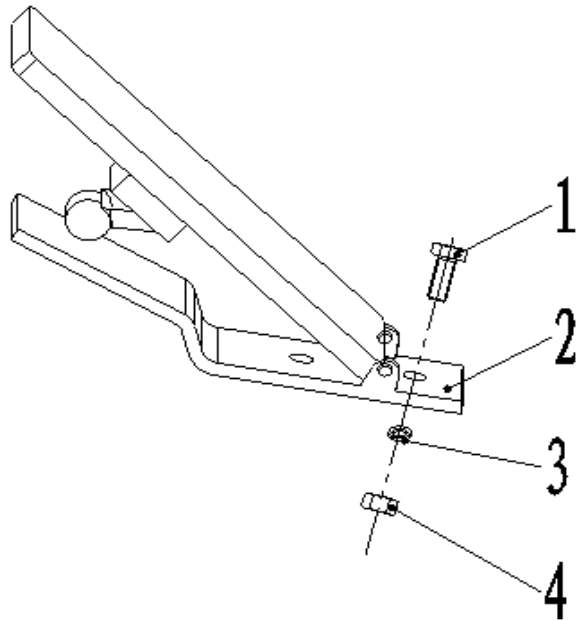
图72/Fig72.

油门操纵(电子)/ACCELERATOR PEDAL

FGL25/30/35/40T-M3WG3; FD35-M3G(8)1

FD25/30(T)-M3G(8)1, M3G(8)2, M3G(8)3; FD35-M3G(8)1

FD25/30/35T-M3G(2)3

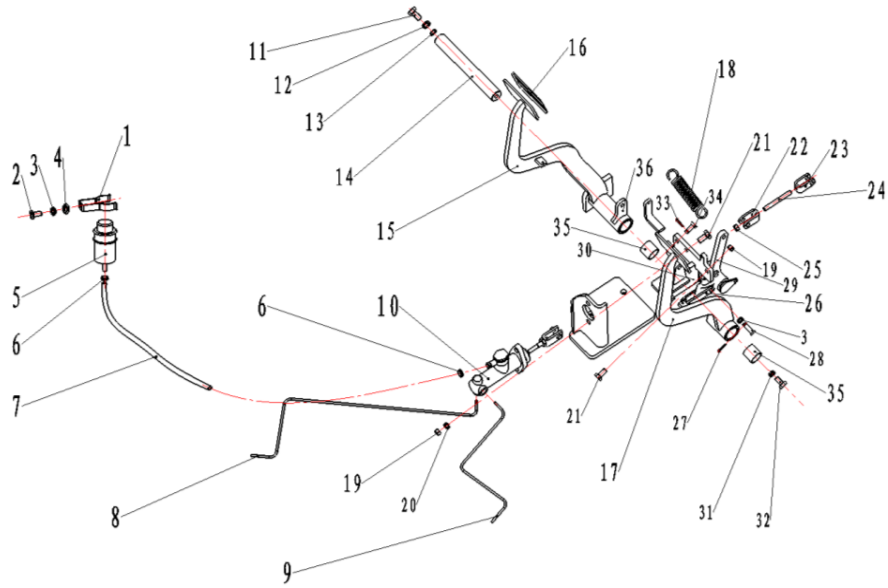


序号	物料代码	代号	名称	数量	备注
Item No.	ID NUMBER	Part No.	Description	Q'ty	Remark
A		-	Accelerator ASS'Y	1	
1	69000198	GB/T5783-M8*20-8.8J	Bolt M8×20	3	
2	69077462	M30352D-01000(III)	Electronic accelerator(134921)	1	CA498-05T3(国III)
	69063589	A30452SY01000	Electronic accelerator(10437)	1	沈阳三菱4G64 2.4L
3	69000062	GB/T93-8	Washer 8	3	
4	69000112	GB/T6170-M8-8J	Nut M8	3	

图73/Fig73.

## 制动微动操纵(液力式)/BRAKE &amp; INCHING CONTROL (TOR-CON TYPE)

FD25-40T

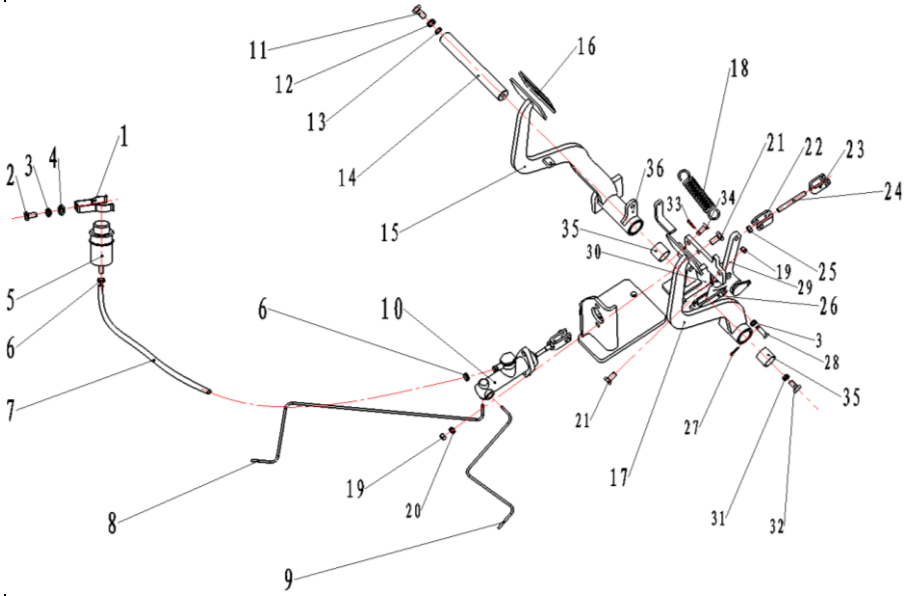


序号	物料代码	代号	名称	数量	备注
Item No.	ID RUMBER	Part No.	Description	Q' ty	Remark
A		-	Brake and Inch Pedal Ass'y		
1	69001973	M3035405000	Brake fluid tank seat	1	
2	69000198	GB/T5783-M8*20-8.8J	Bolt M8×20	1	
3	69000062	GB/T93-8	Washer 8	5	
4	69000259	GB/T97.1-8	Washer 8	1	
5	69001972	M3035401000	Oil storage tank	1	
6	69093431	QC/T390-1999	Hoop Φ16 (Double wire)	2	
7	69000653	M3035400001	Hose Φ10x4-(700)	1	
8	69032682	M2045803000A	Brake pipe (right)	1	2.5t
-	69031879	M30458-01000	Brake pipe (right)	1	3-x4t
9	69032681	M2045802000A	Brake pipe (left)	1	2.5t
-	69031880	M30458-02000	Brake pipe (left)	1	3-x4t
10	69021885	M3035402300	Master brake pump ass'y(TCM)	1	
11	69000123	GB/T5783-M10*20-8.8J	Bolt M10x20	1	
12	69000053	GB/T93-10	Washer 10	3	
13	69021591	M3035402001	Washer	1	
14		M3045802200	Pin shaft	1	
15		M3045802500	Brake pedal	1	
16	69021591	M3035402001	Pedal cover	2	
17		M3045802400	Inch pedal	1	
18	69022011	GB/T4142-d2.5、D18、n30、H110	Spring d2.5、D18、n30、H110	2	
19	69040431	GB/T6170-M10-10J	Nut M10	5	
20	69000250	GB/T97.1-10	Washer 10	2	
21	69000130	GB/T5783-M10*35-8.8J	Bolt M10x35	5	
22		M3045802002	Connector I	1	

图73/fig73.

制动微动操纵(液力式)/BRAKE & INCHING CONTROL (TOR-CON TYPE)

FD25-40T

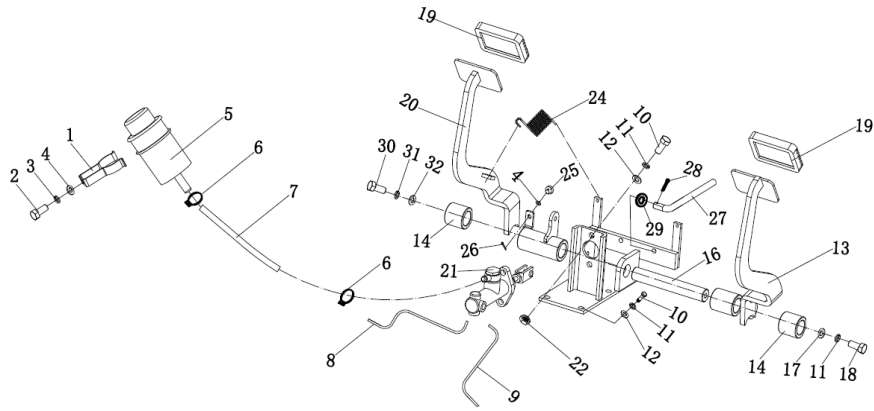


序号	物料代码	代号	名称	数量	备注
Item No.	ID NUMBER	Part No.	Description	Q'ty	Remark
A		-	Brake and Inch Pedal Ass'y		
23		M3045802005	Connector II	2	
24	69043777	M3045802006	Double headed bolt(same length)	1	
25	69000112	GB/T6170-M8-8J	Nut M8	2	
26	69044495	M3045802003	Link board	2	
27	69017915	GB/T91-3.2*40	Cotter pin 3.2x40	4	
28	69008457	GB/T882-Φ8*26	Pin shaft 8x26	4	
29		M3045802004	Connecting rod	1	
30		M3045802100	Bracket	1	
31	69000060	GB/T93-6	Washer 6	2	
32	69000192	GB/T5783-M6*20-8.8J	Bolt M6x20	2	
33	69020760	GB/T91-2*25	Cotter pin 2x25	2	
34	69021756	M3035402003	Adjusting shaft	1	
35		SF-1 1205	Bushing bearing 1205	2	
36	69034141	M3045802405	Rocker arm	1	

图74/Fig74.

## 制动离合操纵(机械式)/BRAKE &amp; CLUTCH CONTROL(CLUTCH TYPE)

FD25-40

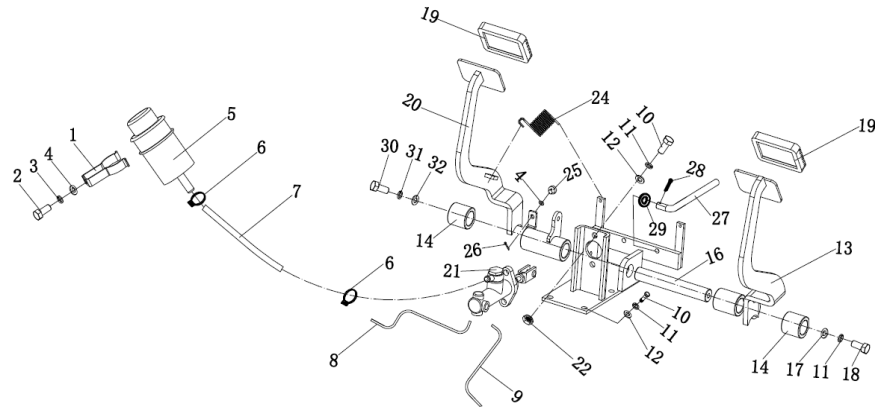


序号	物料代码	代号	名称	数量	备注
Item No.		Part No.	Description	Q'ty	Remark
A		-	Brake and Inch Pedal Ass'y	1	
1	69001973	M3035405000	Brake fluid tank seat	1	
2	69000198	GB/T5783-M8*20-8.8J	Bolt M8x20	1	
3	69000062	GB/T93-8	Washer 8	1	
4	69000259	GB/T97.1-8	Washer 8	2	
5	69001972	M3035401000	Oil storage tank	1	
6	69093431	QC/T390-1999	Hoop Φ16 (Double Wire)	2	
7	69000653	M3035400001	Hose Φ10x4-(700)	1	
8	69001984	M2035403000	Brake hose(left)	1	2.5t
-	69001706	M3035403000	Brake hose(left)	1	3-x4t
9	69001981	M2035404000	Brake hose(right)	1	2.5t
-	69001705	M3035404000	Brake hose(right)	1	3-x4t
10	69064103	GB/T5783-M10*30-10.9J	Bolt M10x30	4	
11	69000053	GB/T93-10	Washer 10	7	
12	69000250	GB/T97.1-10	Washer 10	6	
13		M3035402400	Inch pedal	1	
14			Bushing bearing 1205	2	
15		M3035402100	Bracket	1	
16		M3035402200	Pin shaft	1	
17	69006706	GB/T96.1-10	Washer 10	1	
18	69000123	GB/T5783-M10*20-8.8J	Bolt M10x20	1	
19	69021591	M3035402001	Pedal cover	2	
20		M3035402500	Brake pedal	1	
21	69021885	M3035402300	Master brake pump ass'y (TCM)	1	
22	69033312	GB/T41-M10	Nut M10	4	

图74/Fig74.

制动离合操纵(机械式)/BRAKE & CLUTCH CONTROL (CLUTCH TYPE)

FD25-40

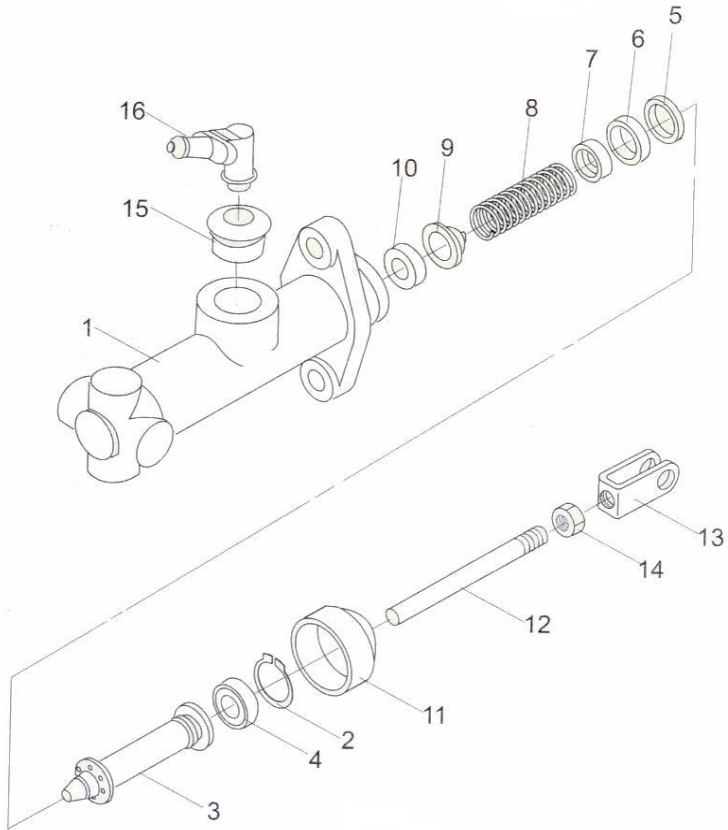


序号	物料代码	代号	名称	数量	备注
Item No.		Part No.	Description	Q' ty	Remark
A		-	Brake and Inch pedal ass' y	1	
23	69000130	GB/T5783-M10*35-8.8J	Bolt M10x35	4	
24	69022011	GB/T4142-d2.5、D18、n30、H110	Spring d2.5、D18、n30、H110	2	
25	69021756	M3035402003	Adjusting shaft	1	
26	69020760	GB/T91-2*25	Cotter pin 2x25	1	
27	69022480	M3035402601	Separation device	1	
28	69017915	GB/T91-3.2*40	Cotter pin 3.2x40	1	
29	69000251	GB/T97.1-12	Washer 12	1	
30	69000190	GB/T5783-M6*16-8.8J	Bolt M6x16	1	
31	69000060	GB/T93-6	Washer 6	1	
32	69000258	GB/T97.1-6	Washer 6	1	

图75/Fig75.

FD25-40 (T)

## 制动总泵/BRAKE MASTER PUMP

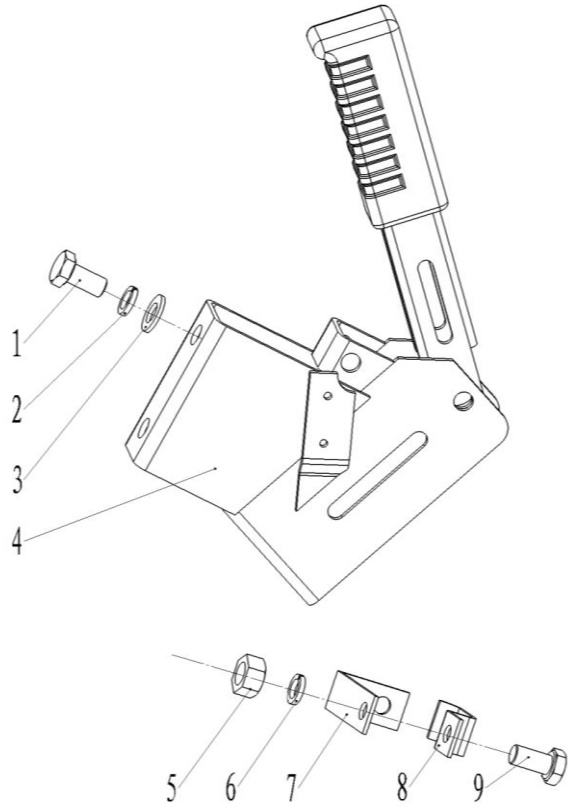


序号	物料代码	代号	名称	数量	备注
Item No.		Part No.	Description	Q' ty	Remark
A	69136798	25595-40302	Brake master pump	1	
1	69135318	25595-42301	Valve body	1	
2	69135319	25595-42311	Stop ring	1	
3	69135320	25595-42332	Piston	1	
B	69135321	25595-40402	Cup ass'y	1	
4	69135322	25595-42322	Front cup	1	
5	69135323	25595-42341	Bushing cup	1	
6	69135324	25595-42351	Main cup	1	
7	69135325	25595-42361	Spring seat	1	
8	69135326	25595-42371	Spring	1	
9	69135327	25595-42381	Cut-off valve	1	
10	69135328	25595-42391	Valve seat	1	
11	69135329	25595-42431	Protect cover	1	
12		25595-42441	Pushrod	1	
13	69135330	25595-42451	Clevis	1	
14	69088946	B5050-00008	Nut M8	1	
15	69135331	25595-42421	Rubber bushing	1	
16	69135332	25595-42411	Connector	1	

图76/Fig76.

## 手制动操纵/PARKING BRAKE LEVER

FD25-40 (T)



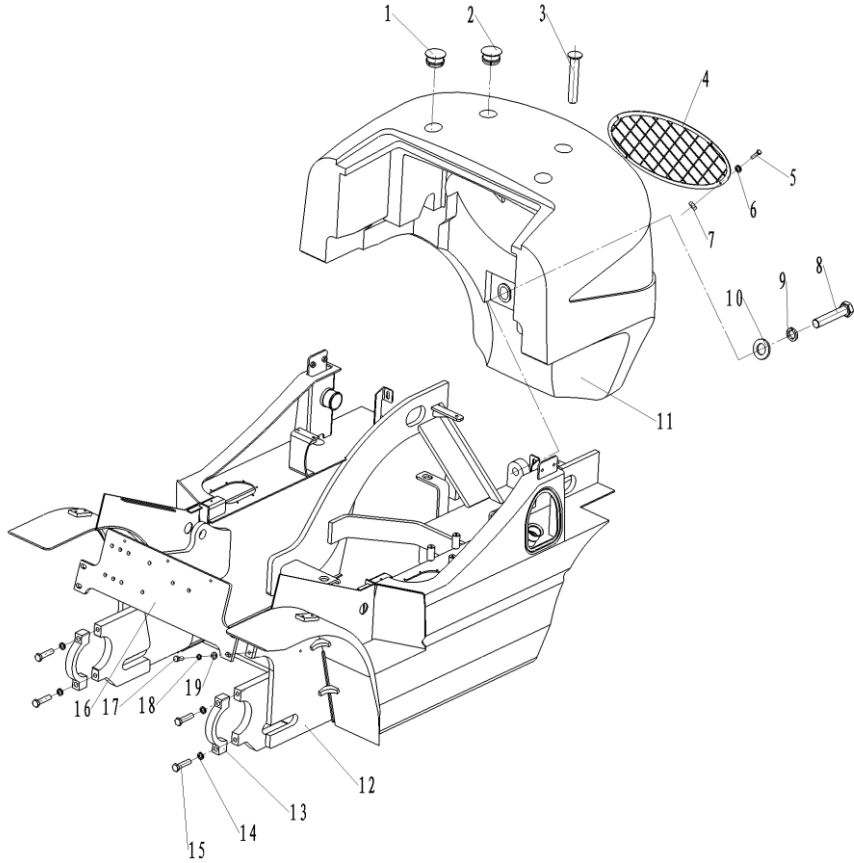
序号	物料代码	代号	名称	数量	备注
Item No.		Part No.	Description	Q'ty	Remark
1	69000125	GB/T5783-M10*25-8.8J	Bolt M10×25	2	
2	69000053	GB/T93-10	Washer 10	2	
3	69000250	GB/T97.1-10	Washer 10	2	
4	69001588	M2575501000	Parking brake	1	
5	69000111	GB/T6170-M6-8J	Nut M6	1	
6	69000060	GB/T93-6	Washer 6	1	
7	69005823	M3035500003	Cable clip II	1	
8	69003080	M3035500002	Cable clip I	1	
9	69000189	GB/T5783-M6*12-8.8J	Bolt M6×12	1	



图77/Fig77.

FD25-40 (T)

## 车架与平衡重/FRAME &amp; COUNTER WEIGHT

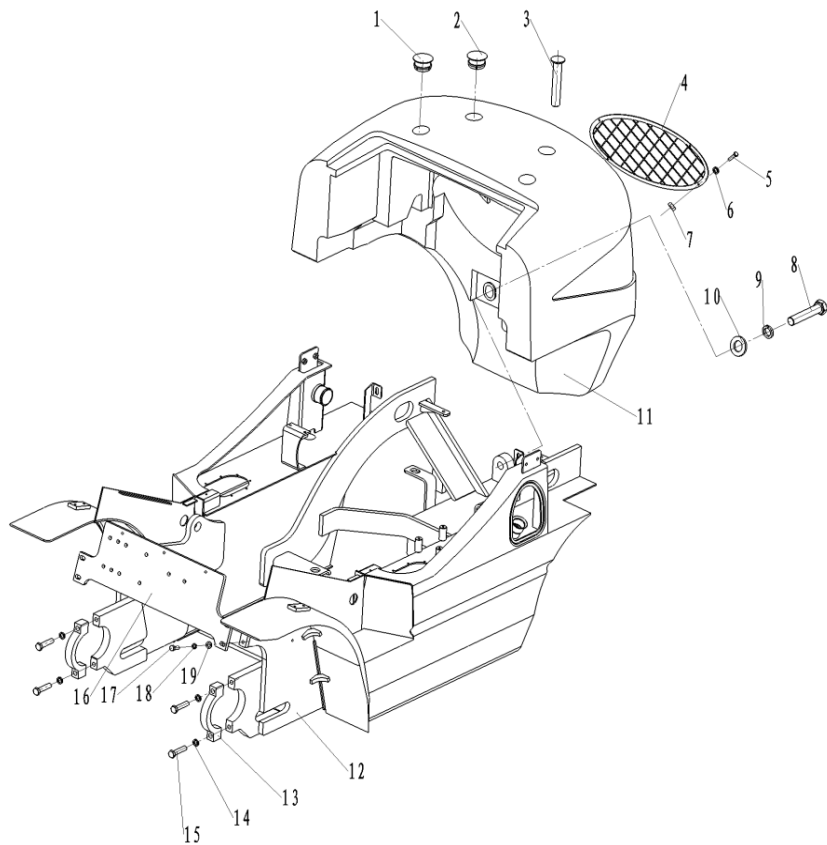


序号	物料代码	代号	名称	数量	备注
Item No.		Part No.	Description	Q' ty	Remark
1	69004272	M3036300003	Plug, hoisting not available	2	
2	69008447	M3036300002	Plug, hoisting available	2	
3		M2576300004	Traction pin	1	2020. 3. 13开始执行
4	69043076	M3036301000A	Gauze	1	
5	69000194	GB/T5783-M6*25-8. 8J	Bolt M6×25	4	
6	69000060	GB/T93-6	Washer 6	4	
7	69000111	GB/T6170-M6-8J	Nut M6	4	
8	69005958	GB/T5782-M30*150-8. 8J	Bolt M30×150	2	2. 5t
-	69004277	GB/T5782-M30*220-8. 8J	Bolt M30×200	2	3-x4t
9	69000058	GB/T93-30	Washer 30	2	
10	69005115	M3036300004	Washer	2	
11	69105999	MJ25363-00001A-Mgreen	Counterbalance weight-Mgreen	1	2. 5t
-	69106008	MJ30363-00001A-MGreen	Counterbalance weight-Mgreen	1	3t
-	69106016	MJ35363-00001A-MGreen	Counterbalance weight-Mgreen	1	3. 5t
-	69108454	MJ40363X-00001A-MGreen	Counterbalance weight-Mgreen	1	3. 8-4t
12	69105926	MJ20361-00000A-MGreen	Frame-Mgreen	1	2. 5t(新柴)
	69105983	MJ30361-00000A-MGreen	Frame-Mgreen	1	3-3. 5t(新柴)
	69105953	MJ40361X-00000A-MGreen	Frame-Mgreen	1	x4(新柴)
	69105930	MJ20361D-00000A-MGreen	Frame-Mgreen	1	2. 5t(大柴)
	69105986	MJ30361D-00000A-MGreen	Frame-Mgreen	1	3-3. 5t(大柴)
	69105957	MJ40361XD-00000A-MGreen	Frame-Mgreen	1	x4(大柴)
	69105936	MJ20461Y-00000A-MGreen	Frame-Mgreen	1	2. 5t(YANMAR98)
	69117286	MJ30461Y-G00000A-MGreen	Frame-Mgreen	1	3-3. 5t(YANMAR98)
	69105960	MJ40361XY-00000A-MGreen	Frame-Mgreen	1	x4t(YANMAR98)
	69105939	MJ20461LS-00000A-MGreen	Frame-Mgreen	1	2. 5t(三菱S4S-455)

图77/Fig77.

FD25-40 (T)

车架与平衡重/FRAME & COUNTER WEIGHT

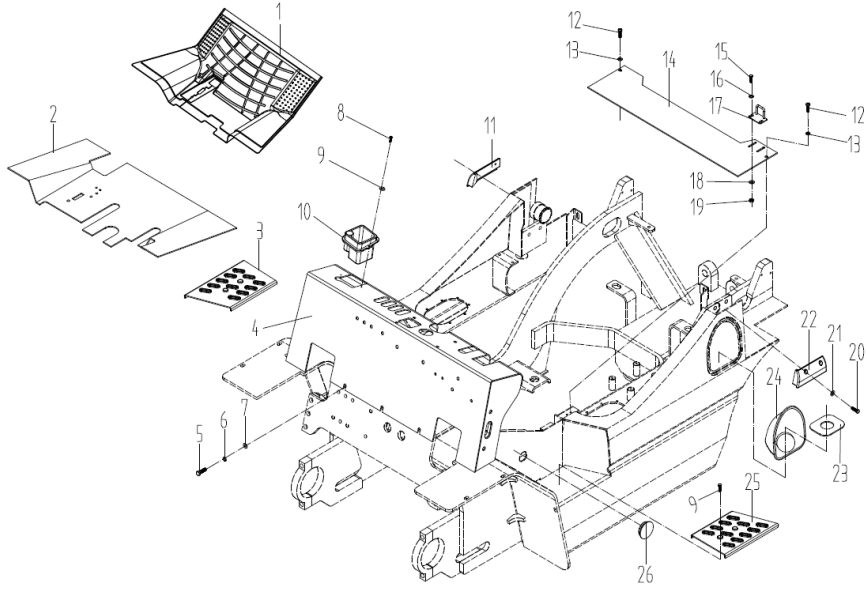


序号	物料代码	代号	名称	数量	备注
Item No.		Part No.	Description	Q' ty	Remark
13	69004874	M303800001	Bearing cap	2	
14	69000056	GB/T93-16	Washer 16	4	
15	69084688	GB/T5782-M10*65-12.9J	Bolt M16×65	4	
16	69081891	MJ30361-01000	Front plate	1	
17	69005314	GB/T5783-M16*30-8.8J	Bolt M16×30	4	
18	69000056	GB/T93-16	Washer 16	4	
19	69000253	GB/T97.1-16	Washer 16	4	

图78/Fig78.

机罩、底板及座椅安装/HOOD, FLOOR &amp; SEAT

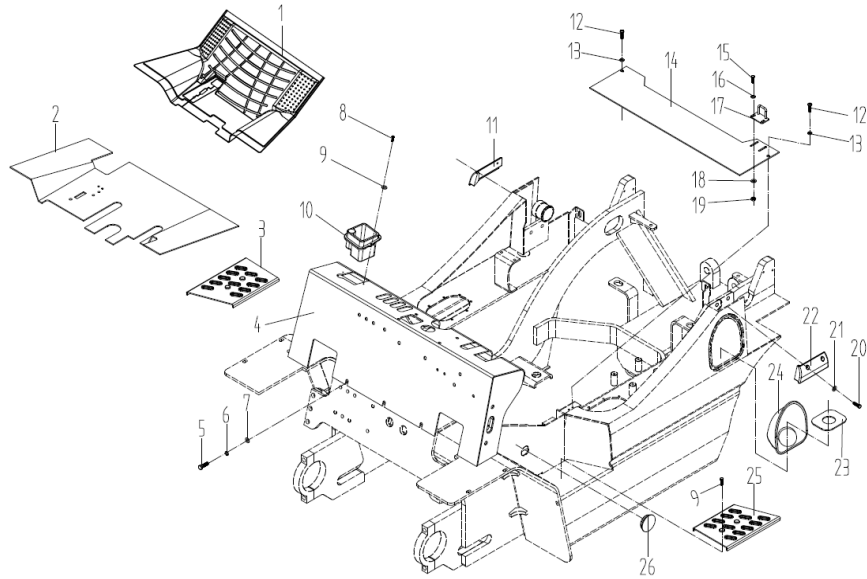
FD25-40 (T)



序号	物料代码	代号	名称	数量	备注
Item No.		Part No.	Description	Q' ty	Remark
1	69036968	M30364-00003	Rubber mat	1	
2	69087645	M3036403000-1	Front floor board	1	2.5-x4t(除大柴、沈阳三菱)
	69087648	M30464D-03000(III)-1	Front floor board	1	2.5-x4t(大柴)
	69088649	MJ30664SY03000	Front floor board	1	2.5-x4t(沈阳三菱 4G64)
3	69086991	MJ30364-00006	Slip pad	1	Right
4	69106028	MJ30364-01000-Mgreen	Dashboard bracket	1	
5	69000123	GB/T5783-M10*20-8.8J	Bolt M10×20	7	
6	69000053	GB/T93-10	Washer 10	7	
7	69000250	GB/T97.1-10	Washer 10	11	
8	69000102	GB/T818-M6*12-4.8J	Bolt M6×12	2	
9	69000258	GB/T97.1-6	Washer 6	2	
10	69004375	M3036400004	Cup holder	1	
11	69081906	MJ30364-00001	Right plastic cover	1	
12	69039750	GB/T823-M6*16-4.8J	Bolt M6×16	2	
13	69000060	GB/T93-6	Washer 6	2	
14	69086331	MJ30364-02000	Rear floor board	1	
15	69039748	GB/T823-M8*16-4.8J	Bolt M8×16	2	
16	69000259	GB/T97.1-8	Washer 8	10	
17	69062068	M30364-00005	Hood locking hook	1	
18	69000062	GB/T93-8	Washer 8	6	
19	69015196	GB/T889.1-M6-8J	Nut M6	2	
20	69039748	GB/T823-M8*16-4.8J	Bolt M8×16	6	
21	69000258	GB/T97.1-6	Washer 6	4	
22	69081907	MJ30364-00005	Left plastic cover	1	

图78/Fig78.

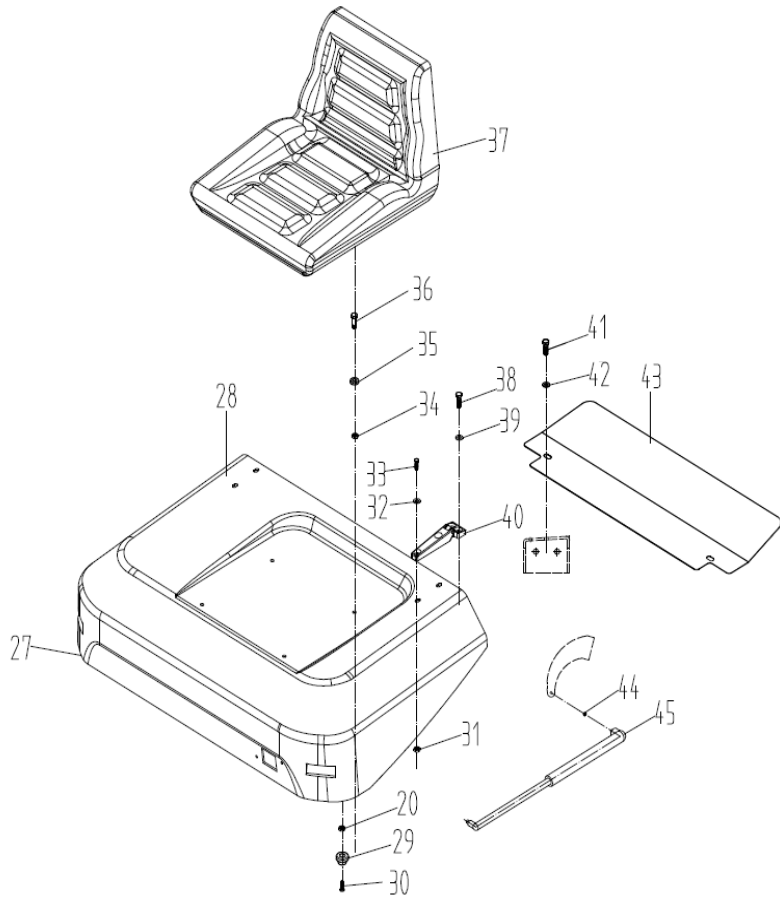
机罩、底板及座椅安装/HOOD, FLOOR &amp; SEAT



序号	物料代码	代号	名称	数量	备注
Item No.		Part No.	Description	Q' ty	Remark
23	69036573	A30464-00004	Oil entry point seal cover	1	
24	69038489	M30364-00002	Oil entry point sleeve	1	
25	69086991	MJ30364-00006	Slip pad	1	Left
26	69001764	M3036400007	Rubber plug	2	

图78/Fig78.

机罩、底板及座椅安装/HOOD, FLOOR & SEAT

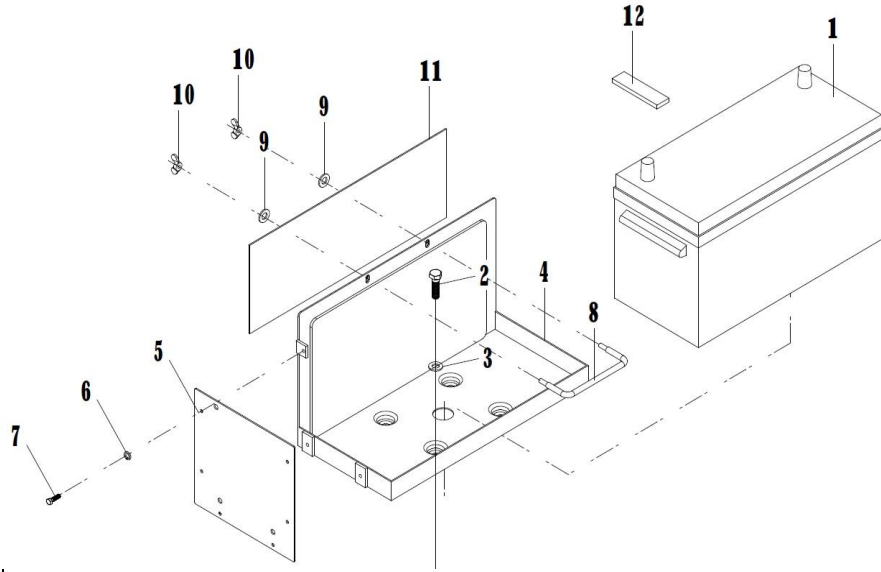


序号	物料代码	代号	名称	数量	备注
Item No.		Part No.	Description	Q' ty	Remark
27	69000644	M3036400005	Seal strip	1	
28	69055677	M30350-26000	Hood	1	
29	69007991	M3036400027	Hood foot pad	2	
30	69005586	GB/T823-M6*25-4.8J	Bolt M6×25	2	
31	69000290	GB/T889.1-M10-8J	Nut M10	4	
32	69000250	GB/T97.1-10	Washer 10	11	
33	69004525	GB/T70.1-M10*25-8.8J	Bolt M10×25	4	
34	69084444	GB/T889.1-M8-10J	Nut M8	4	
35	69001992	M3032300002	Rubber pad	4	
36	69000200	GB/T5783-M8*25-8.8J	Bolt M8×25	4	
37	69018853	M3036801000-Y10	Seat	1	
38	69000244	GB/T70.1-M8*25-8.8J	Bolt M8×25	4	
39	69000062	GB/T93-8	Washer 8	6	
40	69001733	M3036407000	Hinge	2	
41	69001904	M3036408000	Star-shaped handle	2	
42	69000259	GB/T97.1-8	Washer8	2	
43	69086327	MJ20364-00001	Radiator cover	1	2.5t (除尼桑K25、沈阳三菱4G64)
	69086329	MJ30364-00002	Radiator cover	1	3- x4t(除尼桑K25、沈阳三菱4G64)
	69087020	MJ20664N-00001	Radiator cover	1	2.5t (尼桑k25;沈阳三菱4G64)
	69086884	MJ30664N-00001	Radiator cover	1	3- x4t(尼桑k25;沈阳三菱4G64)
44	69000112	GB/T6170-M8-8J	Nut M8	2	
45	69087409	M3036405000B	Gas spring(With self-locking)	1	

图79/Fig79.

## 蓄电池及安装/BATTERY

FD25-40 (T)

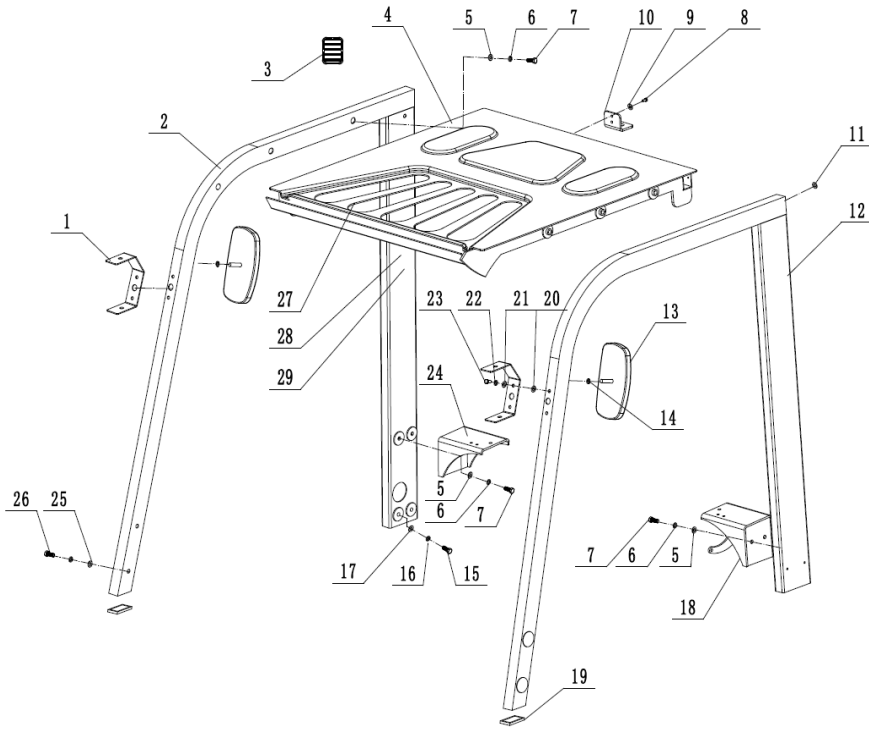


序号	物料代码	代号	名称	数量	备注
Item No.		Part No.	Description	Q' ty	Remark
1	69002947	M3031402000	Battery 6-QW-90	1	除x4t (4D32G31-004)
-	69002553	M30314A02000	Battery 6-QW-100	1	x4t(4D32G31-004)
	69007247	M30214N02000	Battery 6-QW-60	1	尼桑K25;沈阳三菱4G64
2	69000309	GB/T5783-M8*16-8.8J	Bolt M8×16	4	
3	69000085	GB/T96.1-8	Washer 8	4	
4	69023124	30314M-01000	FD Start battery seat	1	除x4t (4D32G31-004)
-	69038024	M30314A-01000	Start battery seat	1	x4t (4D32G31-004)
	69037929	M30214N-01000	FD Start battery seat	1	尼桑K25;沈阳三菱4G64
5	69043632	M3031400008	Electrical box seat	1	
6	69000060	GB/T93-6	Washer 6	5	
7	69000189	GB/T5783-M6*12-8.8J	Bolt M6×12	3	
8	69023123	30314M-00001A	Fixed rod	1	除x4t (4D32G31-004)
-		M30314A01001	Mound layer	1	x4t (4D32G31-004)
9	69000258	GB/T97.1-6	Washer 6	2	
10		GB/T62-1988	Nut M6	1	
11		M30314A00001	Insulation board	1	
12	69138290	M3031400009	Rubber strip 2x20x120	1	

图80/Fig80.

## 护顶架/OVERHEAD GUARD

FD25-40 (T)

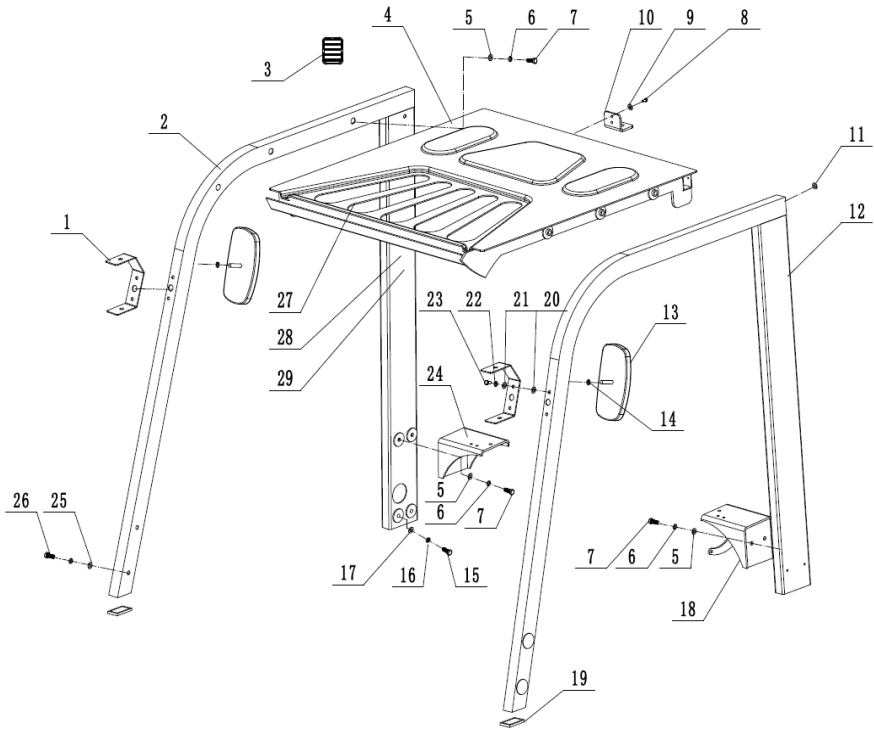


序号	物料代码	代号	名称	数量	备注
Item No.		Part No.	Description	Q' ty	Remark
1	69081169&69081170	M3036108100A	Headlight bracket (Left&Right)	2	
2	69101621	MJ30351-01300-Black	Right leg	1	
3	69026055	30351M-00003	Air inlet	1	
4	69101620	MJ30351-01200-Black	Coping	1	
5	69000251	GB/T97. 1-12	Washer 12	12	
6	69000054	GB/T93-12	Washer 12	14	
7	69000306	GB/T5783-M12*30-8. 8J	Bolt M12×30	12	
8	69000189	GB/T5783-M6*12-8. 8J	Bolt M6×12	2	选装
9	69000060	GB/T93-6	Washer 6	2	选装
10	69086990	30351M-00002A	Warning lamp holder	1	选装
11	69023129	30351M-00001	Rubber plug	1	不装警示灯2个
12	69101619	MJ30351-01100-Black	Left leg	1	
13	69000380	M3036109000	Rearview mirror	2	
14	69134579	GB/T6172. 1-M8-8J	Nut M8	1	
15	69000125	GB/T5783-M10*25-8. 8J	Bolt M10×25	4	
16	69000053	GB/T93-10	Washer 10	4	
17	69000250	GB/T97. 1-10	Washer 10	4	
18	69101600	M30351-01400-Black	Left abutment	1	
19	69005211	M1535100001	Rubber pad	2	
20	69000223	GB/T17880. 1-M8	Flat-headed rivet nut M8	4	
21	69000259	GB/T97. 1-8	Washer 8	4	
22	69000062	GB/T93-8	Washer 8	4	
23	69000198	GB/T5783-M8*20-8. 8J	Bolt M8×20	4	
24	69101601	M30351-01500-Black	Right abutment	1	
25	69000084	GB/T96. 1-12	Washer 12	2	

图80/Fig80.

护顶架/OVERHEAD GUARD

FD25-40 (T)



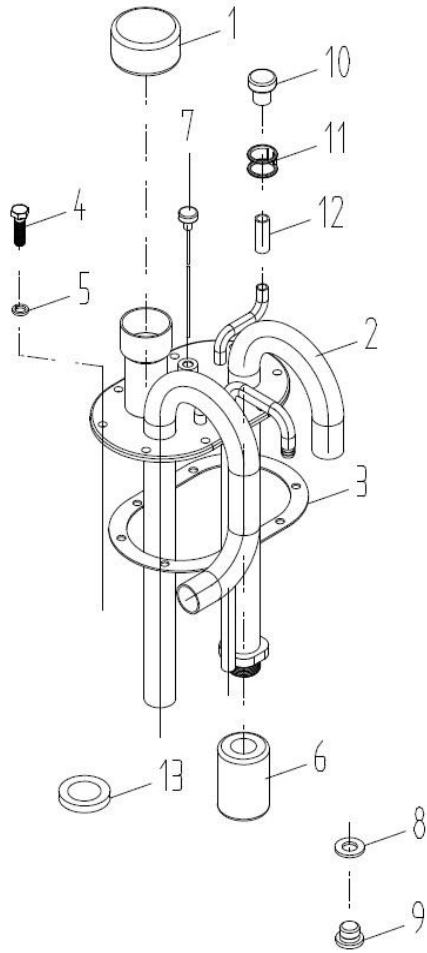
序号	物料代码	代号	名称	数量	备注
Item No.		Part No.	Description	Q' ty	Remark
26	69000002	GB/T5783-M12*25-8.8J	Bolt M12×25	2	
27	69034289	A30451-00001	window	1	
28	69135048	MJ30351-00003	Rubber plug	2	2019.11.1开始执行
29	69135049	MJ30351-00004	Rubber plug	2	2019.11.1开始执行



图81/Fig81.

工作油箱装置及安装/ HYDRAULIC OIL TANK

FD25-40 (T)

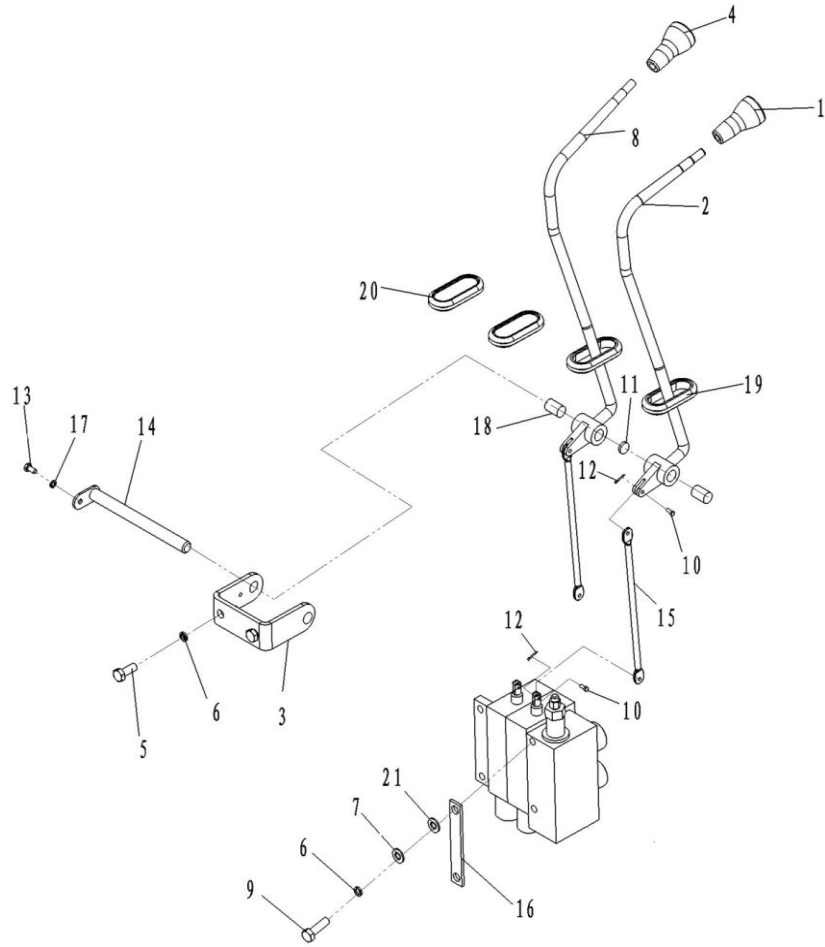


序号	物料代码	代号	名称	数量	备注
Item No.		Part No.	Description	Q'ty	Remark
1	69001925	M3032200001	Oiling cap	1	
2	69001926	M3037501000	Hydraulic Oil tank cover plate ass'y	1	
3	69000679	M3032200007	Gasket	1	
4	69000198	GB/T5783-M8*20-8. 8J	Bolt M8×20	8	
5	69000062	GB/T93-8	Washer 8	8	
6	69001923	M3037503000	Hydraulic oil filter Y0809B	1	
7	69001939	M3037504000	Dipstick	1	3-X4t
-	69001936	M2037501000	Dipstick	1	2-2.5t
8	69136212	JB982-1977	Washer 20	1	
9	69003910	M3032200002	Drain plug	1	
10	69072685	S45475-02000	Breather	1	
11	69093431	QC/T390-1999	Hoop Φ16 (Double Wire)	2	
12		M3037500001	Hose Φ10×2-45	1	
13	69035702	M3032200003	Magnet Φ50×8	1	

图82/Fig82.

多路换向阀操纵(二联) / VALVE CONTROL LINKAGE (TWO-THROW)

FD25-40 (T)

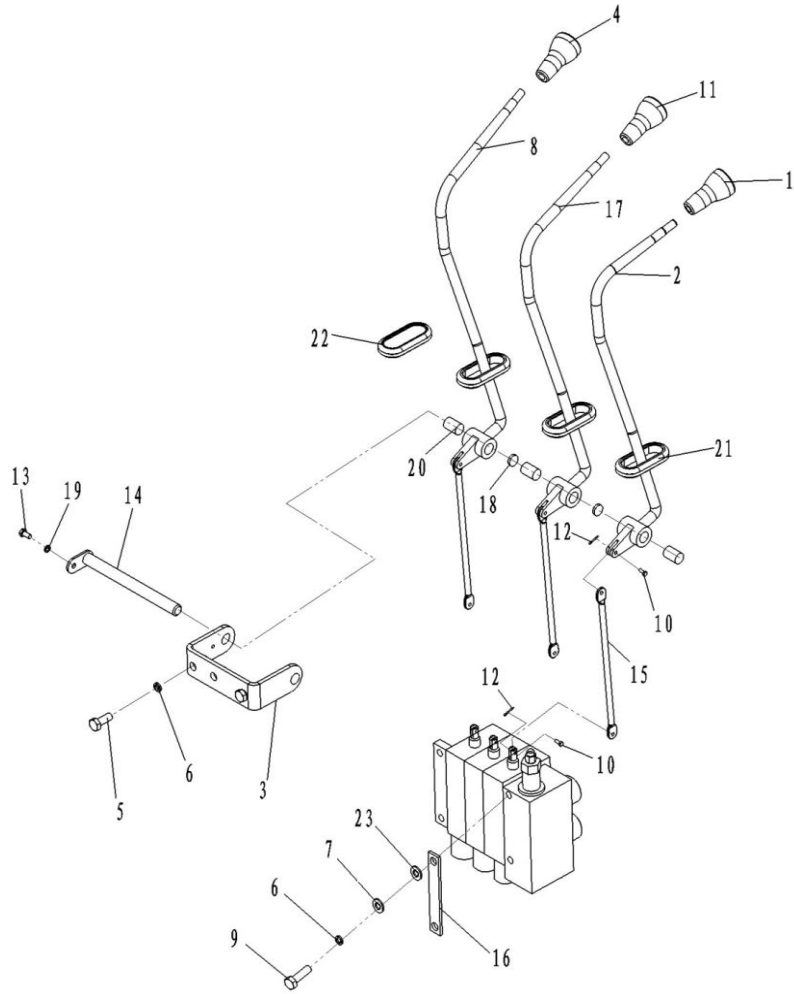


序号	物料代码	代号	名称	数量	备注
Item No.		Part No.	Description	Q' ty	Remark
1	69089160	M3037400006A	Lift knob	1	
2	69084988	S30474-01000A	Lift lever	1	
3		MJ30374-05000	2-way valve bracket	1	
4	69089161	M3037400007A	Tilt knob	1	
5	69000125	GB/T5783-M10*25-8.8J	Bolt M10×25	2	
6	69000053	GB/T93-10	Washer 10	6	
7	69000250	GB/T97.1-10	Washer 10	4	
8	69084989	S30474-02000A	Tilt lever	1	
9	69000117	GB/T5786-M10*1.25*35-8.8J	Bolt M10×1.25×35	4	
10	69000322	M3037400001	Pin shaft	4	
11	69136211	M2577400003	Multi-way valve nylon bushing	2	
12	69000088	GB/T91-2*12	Cotter pin 2×12	4	
13	69000189	GB/T5783-M6*12-8.8J	Bolt M6×12	1	
14	69001622	M3037406000	2-way valve Pin shaft	1	
15	69001759	M2037400003	Connecting Rod	2	
16	69142148	M3037400002	Rubber pad	2	
17	69000060	GB/T93-6	Washer 6	1	
18		SF-1 1625	Bushing bearing FB 1625	2	
19	69001629	M3037400004	Rubber sleeve A	2	
20	69001627	M3037400005	Rubber sleeve B	2	
21	69069821	S30474-00001	Steel casing	3	

图83/Fig83.

多路换向阀操纵(三联)/VALVE CONTROL LINKAGE (THREE-THROW)

FD25-40 (T)

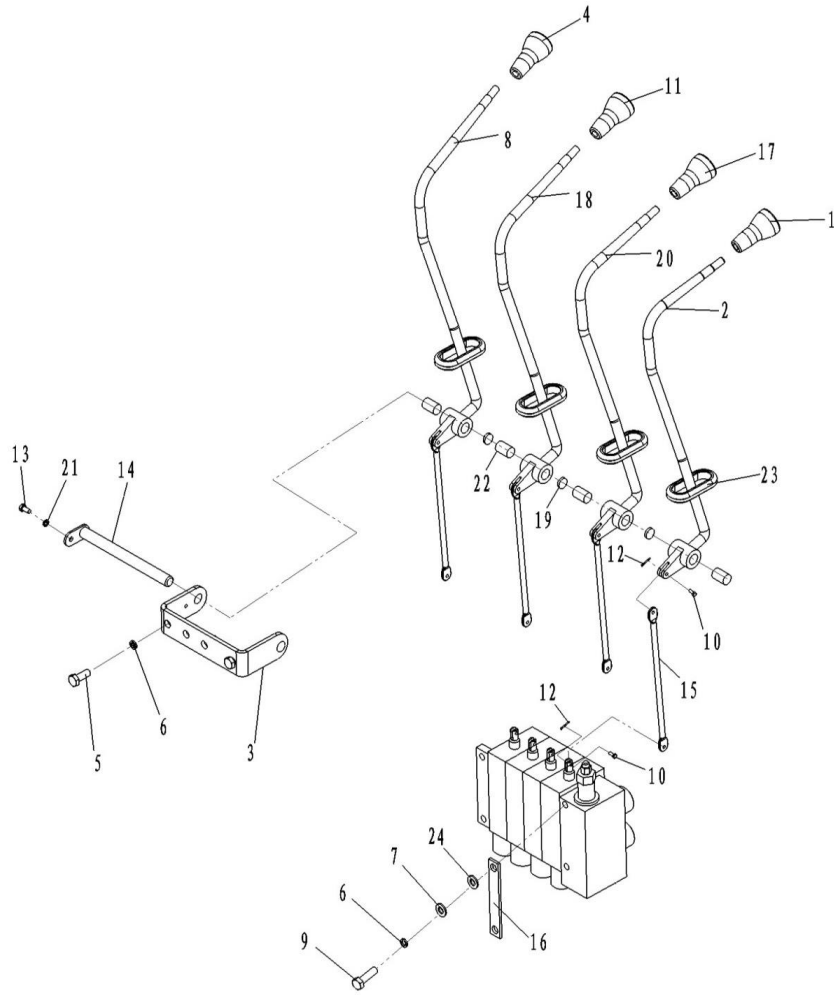


序号	物料代码	代号	名称	数量	备注
Item No.		Part No.	Description	Q'ty	Remark
1	69089160	M3037400006A	Lift knob	1	
2	69084988	S30474-01000A	Lift lever	1	
3	69081950	MJ30374-06000	3-way valve bracket	1	
4	69089162	M3037400008A	Side shift knob	1	
5	69000125	GB/T5783-M10*25-8.8J	Bolt M10×25	2	
6	69000053	GB/T93-10	Washer 10	6	
7	69000250	GB/T97.1-10	Washer 10	4	
8	69084990	S30474-03000A	3rd way valve lever	1	
9	69000117	GB/T5786-M10*1.25*35-8.8J	Bolt M10×1.25×35	4	
10	69000322	M3037400001	Pin shaft	6	
11	69089161	M3037400007A	Tilt knob	1	
12	69000088	GB/T91-2*12	Cotter pin 2×12	6	
13	69000189	GB/T5783-M6*12-8.8J	Bolt M6×12	1	
14	69001623	M3037408000	3-way valve pin shaft	1	
15	69001759	M2037400003	Connecting Rod	3	2.5t
-	69001758	M3037400003	Connecting Rod	3	3-x4t
16	69142148	M3037400002	Rubber pad	2	
17	69084989	S30474-02000A	Tilt lever	1	
18	69136211	M2577400003	Multi-way valve nylon bushing	4	
19	69000060	GB/T93-6	Washer 6	1	
20		SF-1 1625	Bushing bearing FB 1635	3	
21	69001629	M3037400004	Rubber sleeve A	3	
22	69001627	M3037400005	Rubber sleeve B	1	
23	69069821	S30474-00001	Steel casing	3	

图84/Fig84.

多路换向阀操纵(四联)/VALVE CONTROL LINKAGE (FOUR-THROW)

FD25-40 (T)

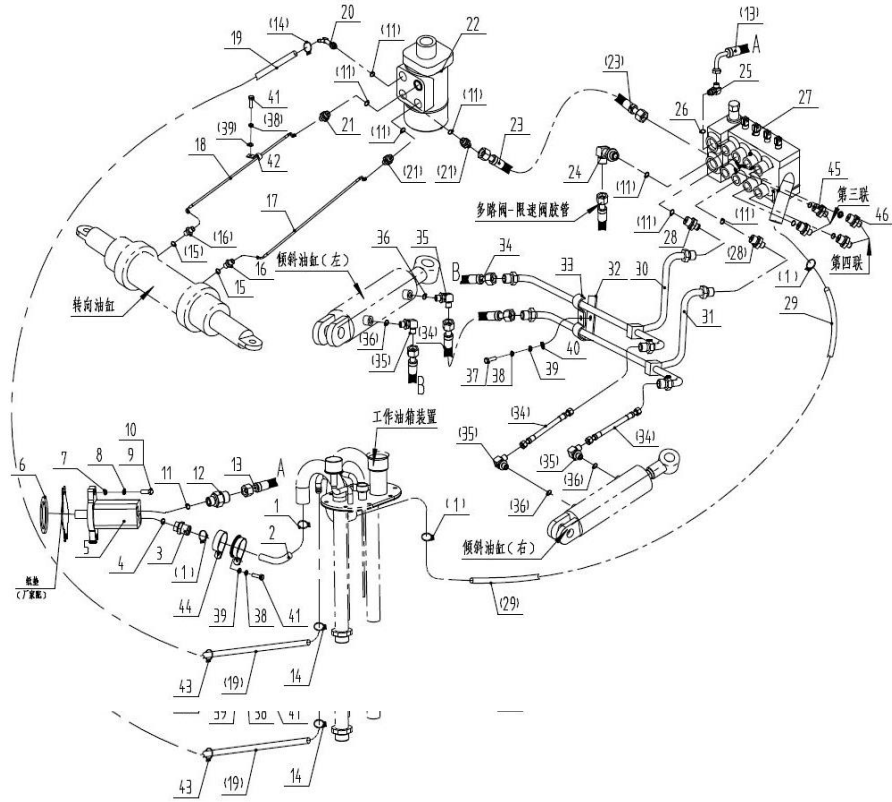


序号	物料代码	代号	名称	数量	备注
Item No.		Part No.	Description	Q'ty	Remark
1	69089160	M3037400006A	Lift knob	1	
2	69084988	S30474-01000A	Lift lever	1	
3	69081951	MJ30374-07000	4-way valve bracket	1	
4	69089163	M3037400009A	Knob for attachments	1	
5	69000125	GB/T5783-M10*25-8.8J	Bolt M10×25	2	
6	69000053	GB/T93-10	Washer 10	6	
7	69000250	GB/T97.1-10	Washer 10	4	
8	69084991	S30474-04000A	4th lever	1	
9	69011886	GB/T5786-M10*1.25*25	Bolt M10×1.25×35	4	
10	69000322	M3037400001	Pin shaft	8	
11	69089162	M3037400008A	Knob for attachments	1	
12	69000088	GB/T91-2*12	Cotter pin 2×12	8	
13	69000189	GB/T5783-M6*12-8.8J	Bolt M6×12	1	
14	69005601	M3037410000	4-way pin shaft	1	
15	69001759	M2037400003	Connecting Rod	4	2.5t
-	69001758	M3037400003	Connecting Rod	4	3-x4t
16	69142148	M3037400002	Rubber pad	2	
17	69089161	M3037400007A	Tilt knob	1	
18	69084990	S30474-03000A	3rd lever	1	
19	69136211	M2577400003	Multi-way valve nylon bushing	6	
20	69084989	S30474-02000A	Tilt lever	1	
21	69000060	GB/T93-6	Washer 6	1	
22		SF-1 1625	Bushing bearing FB 1635	4	
23	69001629	M3037400004	Rubber sleeve A	4	
24	69069821	S30474-00001	Steel casing	3	

图85/Fig85.

## 液压系统/HYDRAULIC SYSTEM

FD25-40 (T)

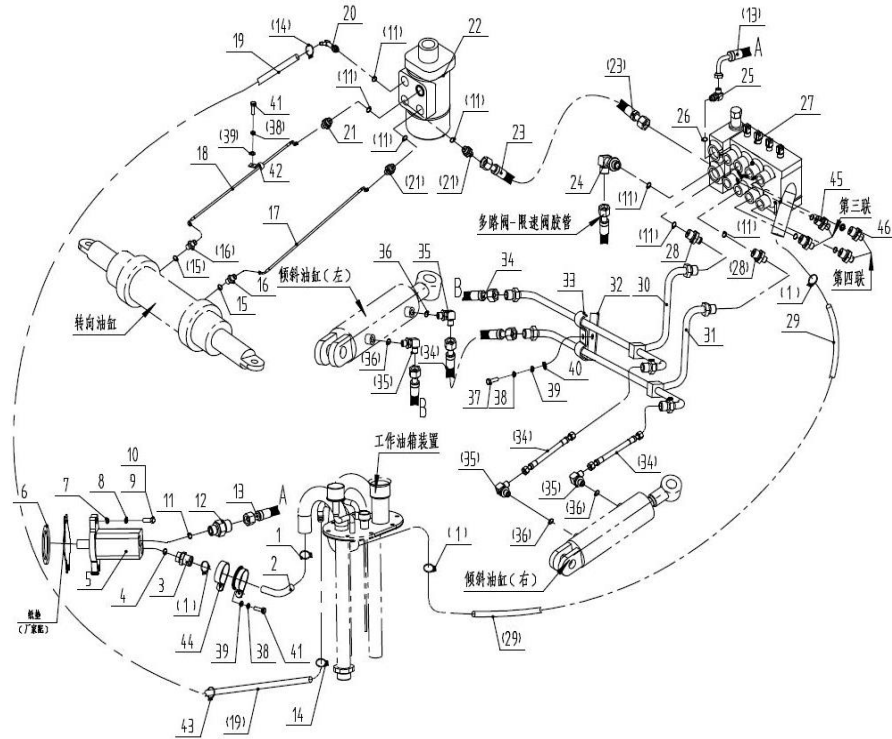


序号	物料编码	代号	名称	数量	备注
Item No.	ID.	Part No.	Description	Q'ty	Remark
A	N/A	-	Hydraulic Piping System	1	2.5-x4t
1	69052895	JB/T8870-32-44	Hose clamp Φ32-44	4	
2	69001531	M3037611001	Pump oil suction pipe	1	新柴
-	69086010	M3037611002A	Pump oil suction pipe	1	C240, 尼桑K25, YANMAR98
-	69088815	MJ40376X-01001	Pump oil suction pipe		沈阳三菱
-	69014391	M3037611004	Pump oil suction pipe	1	大柴
-	69006500	M1537603001	Pump oil suction pipe	1	S4S-455
3	69001280	M3037600005	Pump oil suction fitting	1	
4	69124133	GB1235-35*3.5-G	O-ring 35*3.5	1	
5	69002529	M3037608100	Gear pump	1	2.5-3.5t (新柴)
-	69038406	A30476-05100	Gear pump	1	2.5-3.0t (C240, YANMAR98)
-	69002527	M3037608200	Gear pump		3.5t (C240, YANMAR98) 2019.8.2后
-	69042598	A30476-05200	Gear pump	1	2.5-3.0t (尼桑K25, 大柴, 沈阳三)
-	69002530	M3037608400	Gear pump		3.5t (尼桑K25, 沈阳三菱) 2019.8.2后
-	69059546	A30476-05400	Gear pump	1	2.5-3.0t (S4S-455)
-	69059696	M3037608700	Gear pump	1	3.5t (S4S-455) 2019.8.2后
-	69012077	M4037601100	Gear pump	1	3.8-x4t (新柴)
-	69015867	M4037601200	Gear pump	1	x4t (大柴, 沈阳三菱)
-	69015702	M4037601300	Gear pump-408	1	x4t (YANMAR98)
-	69060791	M4037601400	Gear pump-455	1	x4t (S4S-455)
6	69000030	GB/T3452.1-80*3.55	O-ring 80*3.55	1	尼桑K25
7	69000250	GB/T97.1-10	Washer 10	2	
8	69000053	GB/T93-10	Washer 10	2	
9	69000130	GB/T5783-M10*35-8.8J	Bolt M10*35	2	尼桑K25、大柴、YANMAR98
10	69017603	GB/T5782-M10*45-8.8J	Bolt M10*45	2	新柴、C240

图85/Fig85.

## 液压系统/HYDRAULIC SYSTEM

FD25-40 (T)

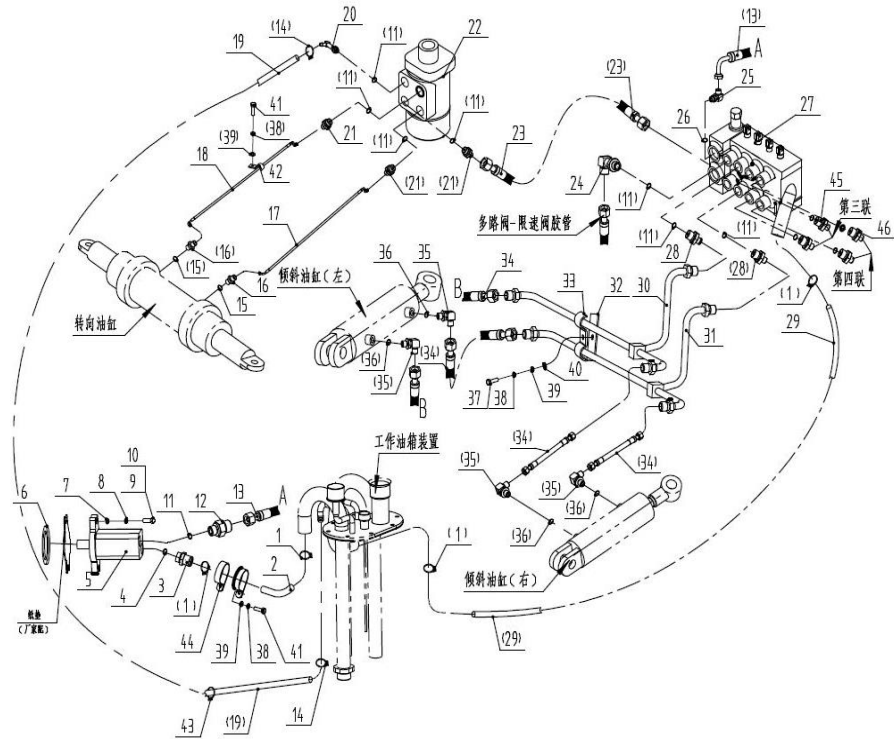


序号	物料编码	代号	名称	数量	备注
Item No.	ID.	Part No.	Description	Q' ty	Remark
11	69124131	GB1235-22*2.4-G	O-ring 22*2.4	8	
12	69001278	M3037600004	Pump oil outlet fitting	1	
13	69001293	M3037612001	Multi-way valve oil inlet H.P.hose	1	
14	69036894	JB/T8870-16-25	Hose clamp Φ16-25	1	
15	69124124	GB1235-18*2.4-G	O-ring 18*2.4	2	
16	69003280	M3037600003	Steering cylinder connector	2	
17	69001501	M3037600001	Steering cylinder H.P. hose I	1	2.5-3.5t
-	69106626	M3037600022	Steering cylinder H.P. hose II	1	3.8-x4t
18	69001502	M3037600002	Steering cylinder H.P. hose II	1	2.5-3.5t
-	69011989	M4037600002	Steering cylinder H.P. hose II	1	3.8-x4t
19	69106626	M3037600022	Orbitrol oil returning pipe	1	
20	69001503	M3037607000	Orbitrol oil returning pipe connector	1	
21	69001504	M3037600021	Orbitrol connector	3	
-	69001504	M3037600021	Orbitrol connector	5	
-	69001504	M3037600021	Orbitrol connector	7	
22	69082117	M3037609000	Orbitrol	1	
23	69001505	M3037600013	Orbitrol Oil inlet H.P. hose	1	
24	69003278	M3037601000	Multi-valve connector (lift cylinder)	1	
25	69001295	M3037603000	Valve connector, oil-inlet	1	
26	69022457	GB/T1235-24*2.4	O-ring 24*2.4	1	
27	69076270	M3037610100	Multi-way valve	1	二联
-	69087578	M3037610200	Multi-way valve	1	三联
-	69087579	M3037610300	Multi-way valve	1	四联
28	69001303	M3037600012	Multi-valve connector (tilt cylinder)	2	
29	69083595	M3037600007A	Oil-returning hose	1	

图85/Fig85.

## 液压系统/HYDRAULIC SYSTEM

FD25-40 (T)

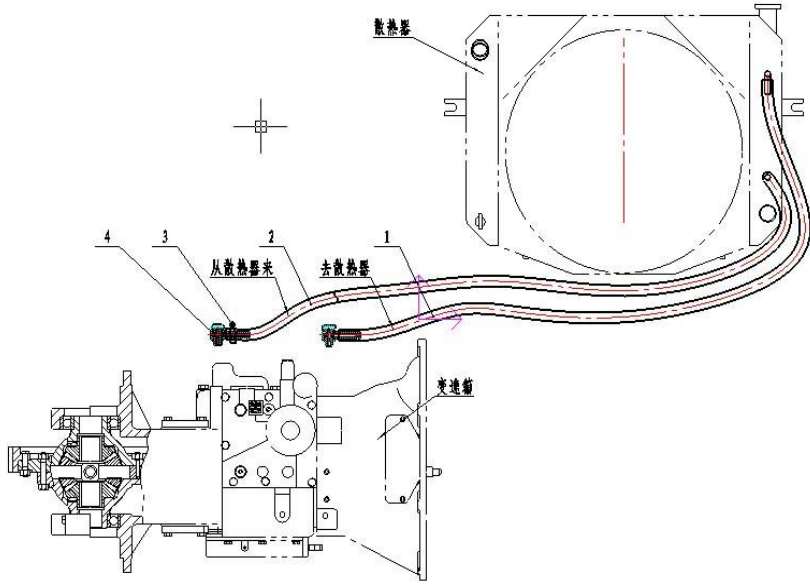


序号	物料编码	代号	名称	数量	备注
Item No.	ID.	Part No.	Description	Q' ty	Remark
30	69083593	S30476-01000A	Tilting cylinder pipe I	1	
31	69083594	S30476-02000A	Tilting cylinder pipe II	1	
32	69003446	M2037600002	Clip II	1	
33	69003286	M2037600001	Pipe clip I	1	
34	69001490	M3037600008	Tilt cylinder hose (front)	4	
35	69003277	M3037602000	Tilt cylinder connector	4	
36	69011421	GB1235-11.2*2.4	O-ring 16*2.4	4	
37	69000194	GB/T5783-M6*25-8.8J	Bolt M6*25	1	
38	69000060	GB/T93-6	Washer 6	6	
39	69000258	GB/T97.1-6	Washer 6	6	
40	69000111	GB/T6170-M6-8J	Nut M6	1	
41	69000189	GB/T5783-M6*12-8.8J	Bolt M6*12	6	
42	69001685	M3037600023	Oil Pipe clamp	3	
43	69136235	ST10% $\times$ 150	Cable tie	3	
44	69087375	GMS-DJR50	Clip	1	
-	69087375	GMS-DJR50	Clip	3	S4S-455
45	69001504	M3037600021	Orbitrol connector	5	三联
46	69001504	M3037600021	Orbitrol connector	7	四联

图86/Fig86.

变矩器油冷系统/TOR-CON OIL COOLING SYSTEM

FD25/30/T-M3G (1) 2, M3G (1) 3; FD25/30/35T-M3G (5) 2, M3G (5) 3  
 FD25/30/35T-M3G (8) 2, M3G (8) 3; FD25/30/35T-M3G (16) 2, M3G (16) 3  
 FD35/40T-M3G (9) 2, M3G (9) 3; FD25/30/35/40T-M3G (2) 3  
 FD25/30/35T-M3WE2/M3WE3; FD40T-M3WE3  
 FD25/30/35T-M3WB3; FG (L) 25/30/35T-M2WA2/M2WA3  
 FD25/30/40T-M3WV3; FGL25/30/35T-M3WG3



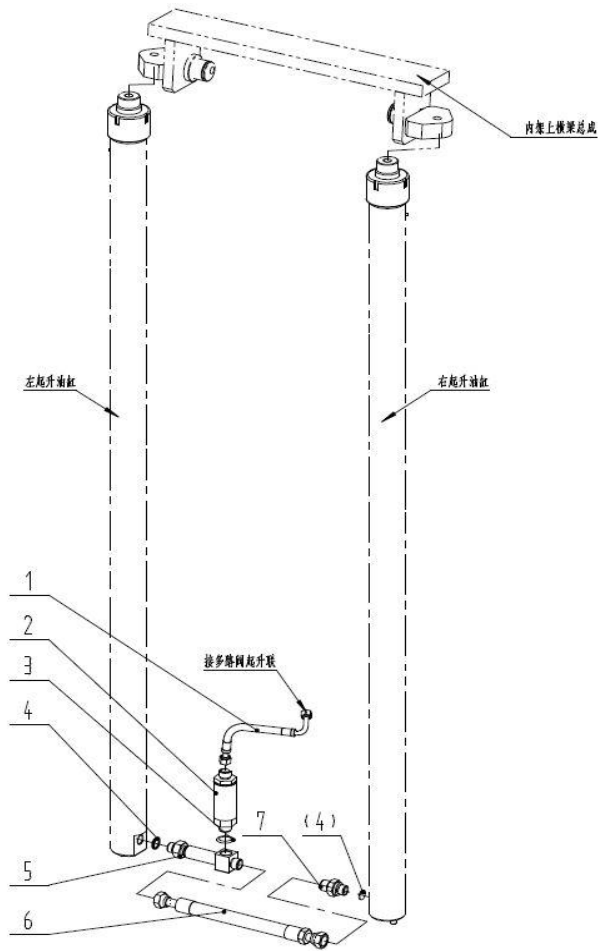
序号		代号	名称	数量	备注
Item No.		Part No.	Description	Q'ty	Remark
A	69036959	M30447-00000	TOR-CON OIL COOLING SYSTEM	1	
1	69067465	M30447-00001	Hose Φ11*5-(1500)	1	2.5-x4t
2	69067466	M30447-00002	Hose Φ11*5-(1700)	1	2.5-x4t
3	69036894	JB/T8870-16-25	Hose clamp d25	4	
4	69036700	M30447-01000	Hinge bolt	2	



图87/Fig87.

门架管路系统(基本型二联)/MAST HYDRAULIC SYSTEM(NORMAL MAST TWO-THROW)

FD25-40(T)

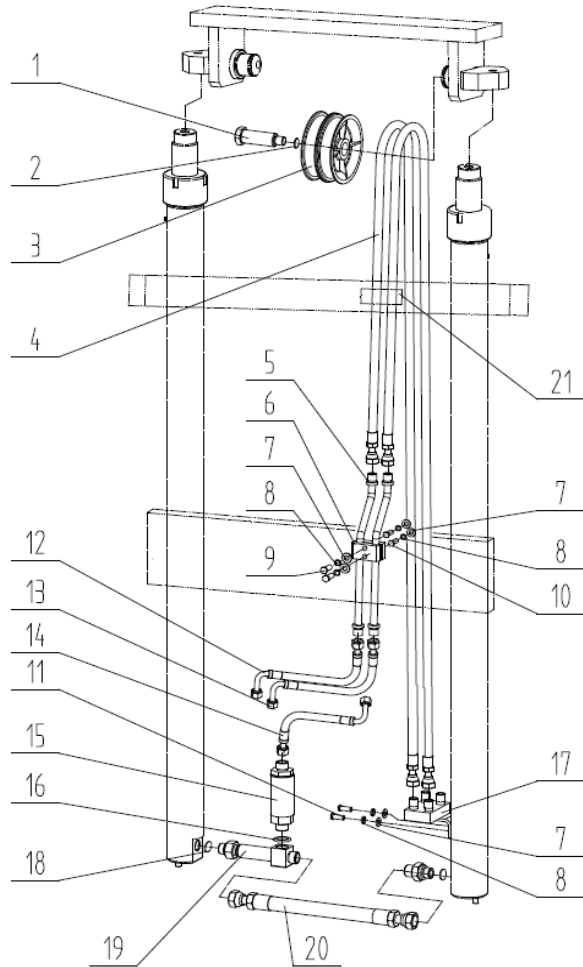


序号	物料编码	代号	名称	数量	备注
Item No.	ID.	Part No.	Description	Q'ty	Remark
A	N/A	-	Mast Hydraulic Piping system	1	2.5-x4t
1	69011952	30386-00003	Flow regulator H.P. hose II	1	
2	69002920	20386-01000	Flow regulator	1	2.5t
-	69002922	30386-03000	Flow regulator	1	3t
-	69002923	35386-02000	Flow regulator	1	3.5-x4t
3	69022457	GB/T1235-24*2.4	O-ring 24x2.4	1	
4	69124142	GB/T3452.1-17*2.65-G	O-ring 17x2.65	1	2.5-3t
-	69124132	GB1235-30*3.5-G	O-ring 30x3.5	2	3.5-x4t
5	69016646	30386-01000	Lift cylinder tee connector	1	2.5-3t
-	69016648	35386-01000	Lift cylinder tee connector	1	3.5-x4t
6	69001331	30386-00001	H.P. hose between lift cylinders 13II-375	1	2.5t
-	69034147	A30486-00001	H.P. hose between lift cylinders 13II-380	1	3.0t
-	69126607	S30488-00002	H.P. hose between lift cylinders 13II-385	1	3.5-x4t
7	69006260	30388-00005	Lift cylinder connector	1	厂家自带

图88/Fig88.

门架管路系统(基本型三联)/MAST HYDRAULIC SYSTEM(NORMAL MAST THREE-THROW)

FD25-40(T)

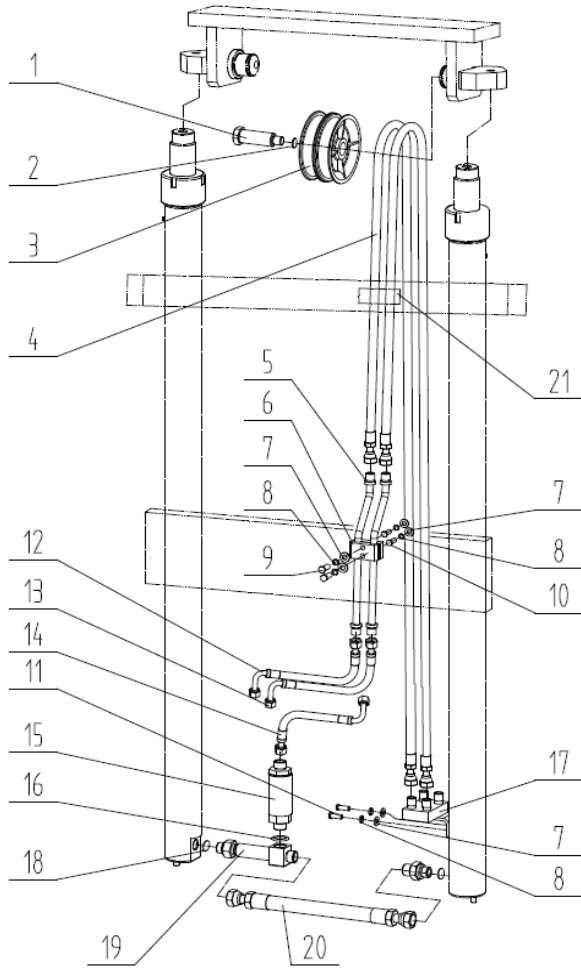


序号	物料编码	代号	名称	数量	备注
Item No.	ID.	Part No.	Description	Q'ty	Remark
A	N/A	-	Mast Hydraulic Piping system	1	2.5-x4t
1	69016660	30386S-00003	Step bolt	1	
2	69000579	30386S-00004 (8)	Spacer	3	
3	69016659	30386S-00002	Pulley	2	
4	N/A	A20486S-01000	Side shift H.P.hose	2	2.5t ASNEEDED
-	N/A	A30486S-01000	Side shift H.P.hose	2	3t AS NEEDED
-	N/A	A35486S-01000	Side shift H.P.hose	2	3.5-3.8t AS NEEDED
-	N/A	40386XS-01000	Side shift H.P.hose	2	x4t AS NEEDED
5	69034148	A30486S-02000	Adjusting hard pipe	2	2.5-3t
-	69016675	30386S-02000	Adjusting hard pipe	2	3.5-x4t
6	N/A	30386S-00001	Pipe clamp	1	
7	69000259	GB/T97.1-8	Washer 8	6	
8	69000062	GB/T93-8	Washer 8	6	
9	69000203	GB/T5783-M8*30-8.8J	Bolt M8x30	2	
10	69000200	GB/T5783-M8*25-8.8J	Bolt M8x25	2	
11	69000309	GB/T5783-M8*16-8.8J	Bolt M8x16	2	
12	69016665	30386S-00005	Multi-valve adjusting pipe H.P.hose I	1	
13	69016666	30386S-00006	Multi-valve adjusting pipe H.P.hose II	1	
14	69011952	30386-00003	Multi-valve Flow regulator H.P.hose II	1	
15	69002920	20386-01000	Flow regulator	1	2.5t
-	69002922	30386-03000	Flow regulator	1	3t
-	69002923	35386-02000	Flow regulator	1	3.5-x4t
16	69022457	GB/T1235-24*2.4	O-ring 24x2.4	1	
17	69012313	30386S-03000	Cross connector I	1	2.5-3t
-	69020958	35386S-02000	Cross connector	1	3.5-x4t

图88/Fig88.

门架管路系统(基本型三联)/MAST HYDRAULIC SYSTEM(NORMAL MAST THREE-THROW)

FD25-40(T)

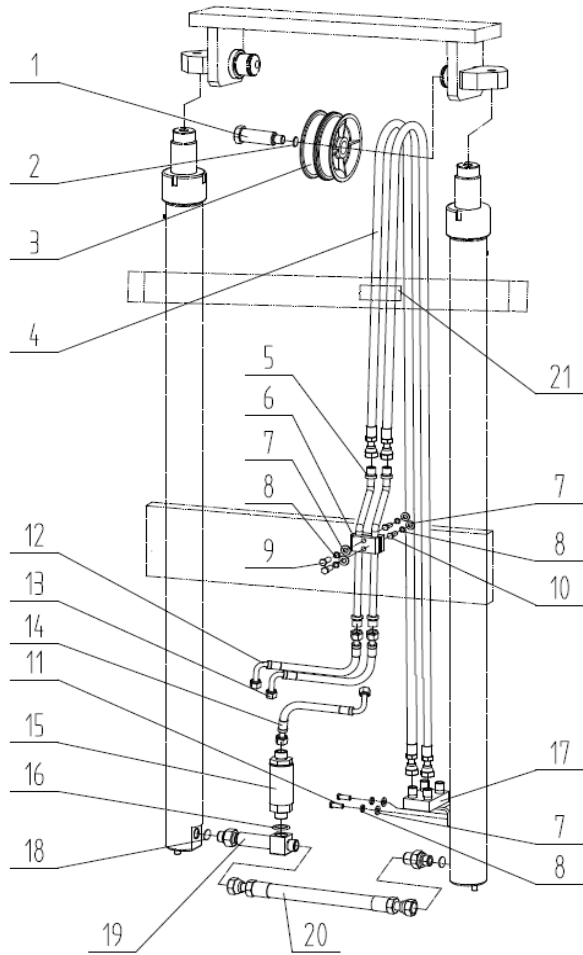


序号	物料编码	代号	名称	数量	备注
Item No.	ID.	Part No.	Description	Q' ty	Remark
18	69124142	GB/T3452.1-17*2.65-G	O-ring 17x2.65	1	2.5-3t
-	69124132	GB1235-30*3.5-G	O-ring 30x3.5	2	3.5-x4t
19	69016646	30386-01000	Lift cylinder tee connector	1	2.5-3t
-	69016648	35386-01000	Lift cylinder tee connector	1	3.5-x4t
20	69001331	30386-00001	H.P. hose between lift cylinders 13II-375	1	2.5t
-	69034147	A30486-00001	H.P. hose between lift cylinders 13II-380	1	3.0t
-	69126607	S30488-00002	H.P. hose between lift cylinders 13II-385	1	3.5-x4t
21	69069602	S30488S-00003	Pipe clamp SHTPG2-215	1/2	≥4m/≥5.5m

图88/Fig88.

门架管路系统(基本型三联)/MAST HYDRAULIC SYSTEM(NORMAL MAST THREE-THROW)

FD25-40(T)



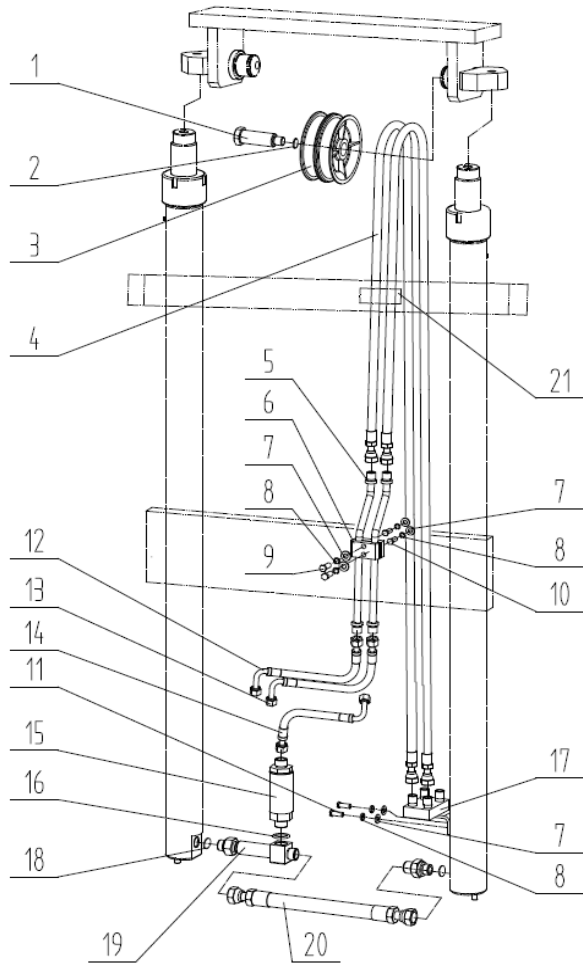
管路系统选用件-侧移胶管(件4)  
Mast Piping Optional Parts

起升高度 LIFTING HEIGHT	2.5t		3t	备注 REMARK
	ID.	A20486S-01000 PLASTIC HOSE	ID.	
2000	69036320	A30487S-05002	69012995	
2500	69016819	30388SS-02005	69017070	
2700	69016785	30388S-02003	69016786	
3000	69016629	20388S-01007	69016629	标准
3300	69016805	30388SS-01004	69017032	
3500	69016793	30388S-02010	69016651	
3600	69016892	35388S-01006	69018307	
3700	69017074	30386S-01010	69016652	
4000	69016906	35388SS-01007	69016653	
4250	69042062	A20486S-01002	69016810	
4500	69042063	A20486S-01003	69016654	
4750	69042064	A20486S-01004	69017067	
5000	69042065	A20486S-01005	69016655	
5500	69042066	A20486S-01006	69016656	
6000	69042067	A20486S-01007	69016657	

图88/Fig88.

门架管路系统(基本型三联)/MAST HYDRAULIC SYSTEM(NORMAL MAST THREE-THROW)

FD25-40(T)



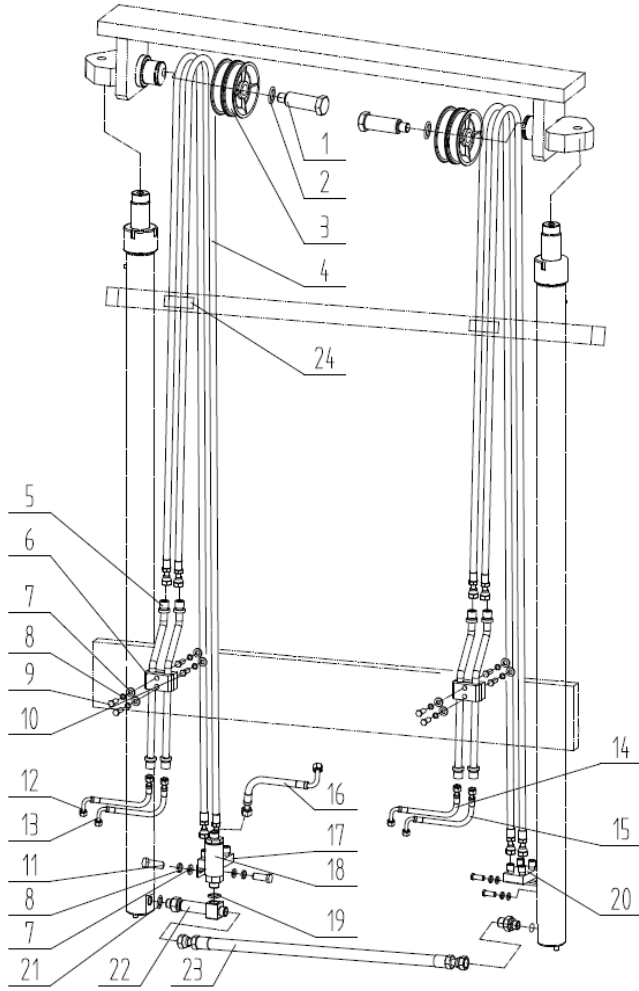
管路系统选用件-侧移胶管(件4)  
Mast Piping Optional Parts

起升高度 LIFTING HEIGHT	3.5-3.8t		x4t	备注 REMARK
	ID.	A35486S-01000 PLASTIC HOSE	ID.	
2000	69012997	30387S-01009	69013000	
2500	69013015	30387S-02009	69017072	
2700	69016643	20388S-01009	69016789	
3000	69016776	30388S-01004	69013007	标准
3300	69013018	30387S-02012	69016651	
3500	69018307	20388S-01011	69017075	
3600	69017074	30386S-01010	69016894	
3700	69016780	30388S-01008	69016809	
4000	69016781	30388S-01009	69016810	
4250	69018312	35386S-01014	69016654	
4500	69042948	A35486S-01001	69017067	
4750	69042949	A35486S-01002	69016655	
5000	69042950	A35486S-01003	69017158	
5500	69042951	A35486S-01004	69049634	
6000	69042952	A35486S-01005	69021855	

图89/Fig89.

门架管路系统(基本型四联)/MAST HYDRAULIC SYSTEM(NORMAL MAST FOUR-THROW)

FD25-40(T)

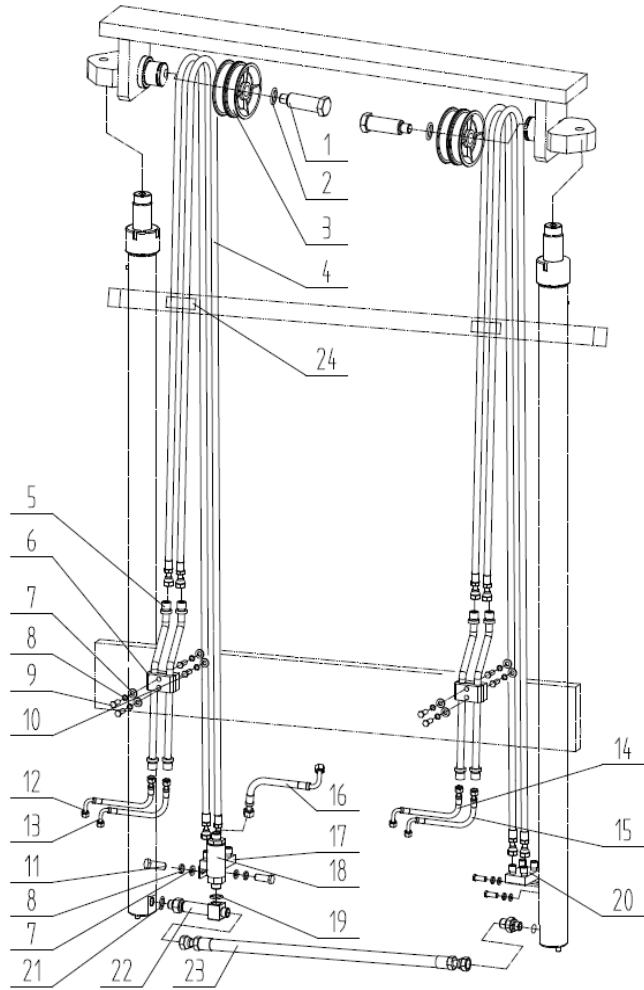


序号	物料编码	代号	名称	数量	备注
Item No.	ID.	Part No.	Description	Q'ty	Remark
A	N/A	-	Mast Hydraulic Piping system	1	2.5-x4t
1	69016660	30386S-00003	Step bolt	2	
2	69000579	30386S-00004 (8)	Spacer	6	
3	69016659	30386S-00002	Pulley	4	
4	N/A	A20486S-01000	Side shift H.P.hose	4	2.5t AS NEEDED
-	N/A	A30486S-01000	Side shift H.P.hose	4	3t AS NEEDED
-	N/A	A35486S-01000	Side shift H.P.hose	4	3.5-3.8t AS NEEDED
-	N/A	40386XS-01000	Side shift H.P.hose	4	x4t AS NEEDED
5	69034148	A30486S-02000	Adjusting pipe	4	2.5-3t
-	69016675	30386S-02000	Adjusting pipe	4	3.5-x4t
6	N/A	30386S-00001	Pipe clamp	2	
7	69000259	GB/T97.1-8	Washer 8	12	
8	69000062	GB/T93-8	Washer 8	12	
9	69000203	GB/T5783-M8*30-8.8J	Bolt M8x30	4	
10	69000200	GB/T5783-M8*25-8.8J	Bolt M8x25	4	
11	69000309	GB/T5783-M8*16-8.8J	Bolt M8x16	4	
12	69018461	20386SS-00002	Multi-valve adjusting pipe H.P.hose II	1	2.5t
-	69016682	30386SS-00002	Multi-valve adjusting pipe H.P.hose II	1	3-x4t
13	69018460	20386SS-00001	Multi-valve adjusting pipe H.P.hose I	1	2.5t
-	69016680	30386SS-00001	Multi-valve adjusting pipe H.P.hose I	1	3-x4t
14	69016665	30386S-00005	Multi-valve adjusting pipe H.P.hose I	1	
15	69016666	30386S-00006	Multi-valve adjusting pipe H.P.hose II	1	
16	69011952	30386-00003	Multi-valve Flow regulator H.P.hose II	1	
17	69012312	30386SS-01000	Cross connector II	1	2.5-3t
-	69020959	35386SS-01000	Cross connector	1	3.5-x4t

图89/Fig89.

FD25-40 (T)

门架管路系统(基本型四联)/MAST HYDRAULIC SYSTEM(NORMAL MAST FOUR-THROW)

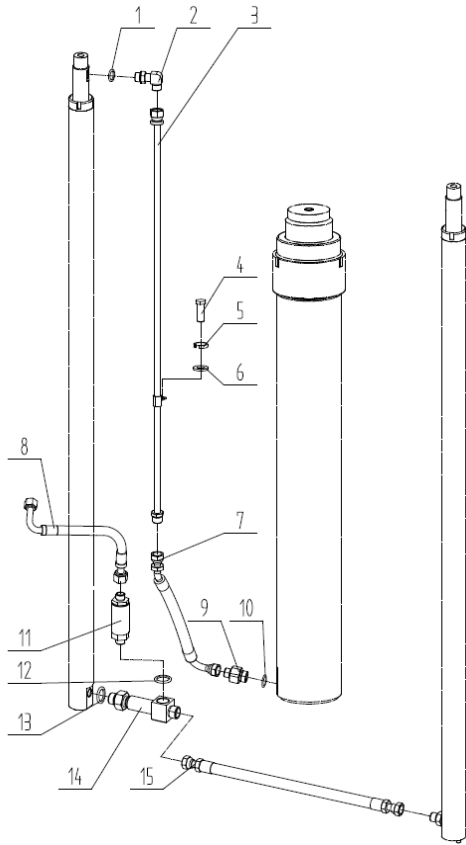


序号	物料编码	代号	名称	数量	备注
Item No.	ID.	Part No.	Description	Q'ty	Remark
18	69002920	20386-01000	Flow regulator	1	2.5t
-	69002922	30386-03000	Flow regulator	1	3t
-	69002923	35386-02000	Flow regulator	1	3.5-x4t
19	69022457	GB/T1235-24*2.4	O-ring 24x2.4	1	
20	69012313	30386S-03000	Cross connector	1	2.5-3t
-	69020958	35386S-02000	Cross connector	1	3.5-x4t
21	69124142	GB/T3452.1-17*2.65-G	O-ring 17x2.65	1	2.5-3t
-	69124132	GB1235-30*3.5-G	O-ring 30x3.5	2	3.5-x4t
22	69016646	30386-01000	Lift cylinder tee connector	1	2.5-3t
-	69016648	35386-01000	Lift cylinder tee connector	1	3.5-x4t
23	69001331	30386-00001	H.P. hose between lift cylinders 13II-375	1	2.5t
-	69034147	A30486-00001	H.P. hose between lift cylinders 13II-380	1	3.0t
-	69126607	S30488-00002	H.P. hose between lift cylinders 13II-385	1	3.5-x4t
24	69069602	S30488S-00003	Pipe clamp SHTPG2-215	2/4	≥4m/≥5.5m

图90/Fig90.

门架管路系统(二级全自由二联)/ MAST HYDRAULIC SYSTEM(FULL FREE 2-STAGE MAST TWO-THROW )

FD25-38 (T)



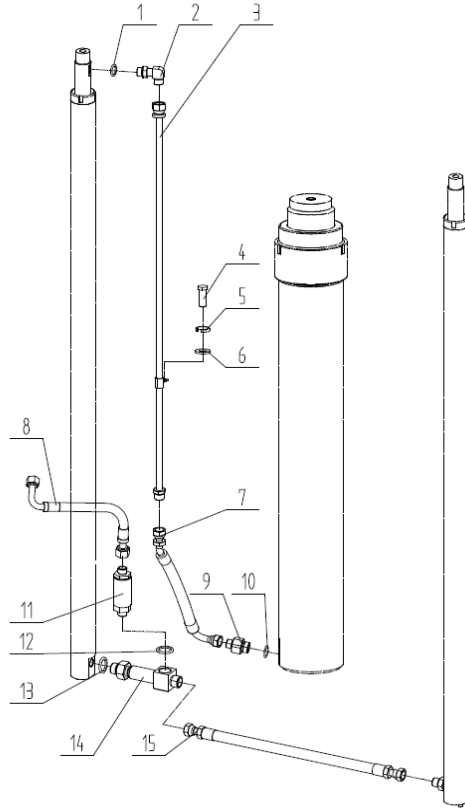
序号	物料编码	代号	名称	数量	备注
Item No.	ID.	Part No.	Description	Q' ty	Remark
A	N/A	-	MAST HYDRAULIC SYSTEM	1	2.5-3.8t
1	69124144	GB/T3452.1-19*2.65-G	O-ring 19*2.65	1	
2	69003137	M3077601000	Pipe connector	1	
3	N/A	A20487-01000	Pipe ass'y	1	2.5t AS NEEDED
-	N/A	A30487-02000	Pipe ass'y	1	3t AS NEEDED
-	N/A	A35487-01000	Pipe ass'y	1	3.5-3.8t AS NEEDED
4	69000309	GB/T5783-M8*16-8.8J	Bolt M8*16	1	
5	69000259	GB/T97.1-8	Washer 8	1	
6	69000062	GB/T93-8	Washer 8	1	
7	69016686	30387-00001	H.P.hose between pipe and middle cylinder	1	
8	69011952	30386-00003	Multi-valve Flow regulator H.P. hose II	1	
9	69012037	30387-00003	Middle cylinder connector	1	
10	69124132	GB1235-30*3.5-G	O-ring 30*3.5	1	
11	69002920	20386-01000	Flow regulator	1	2.5t
-	69002922	30386-03000	Flow regulator	1	3t
-	69002923	35386-02000	Flow regulator	1	3.5-3.8t
12	69022457	GB/T1235-24*2.4	O-ring 24*2.4	1	
13	69124142	GB/T3452.1-17*2.65-G	O-ring 17*2.65	1	
14	69016646	30386-01000	Lift cylinder tee connector	1	
15	69001331	30386-00001	H.P. hose between lift cylinders 13 II-375	1	2.5t
-	69034147	A30486-00001	H.P. hose between lift cylinders 13 II-380	1	3.0t
-	69126607	S30488-00002	H.P. hose between lift cylinders 13 II-385	1	3.5-x4t



图90/Fig90.

门架管路系统(二级全自由二联)/ MAST HYDRAULIC SYSTEM(FULL FREE 2-STAGE MAST TWO-THROW )

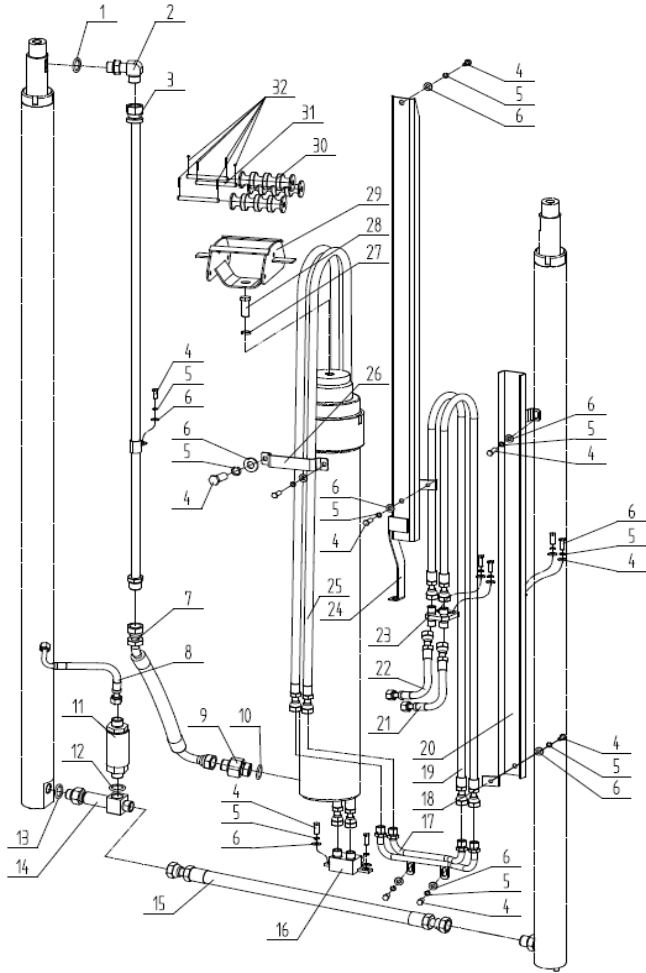
FD25-38 (T)



管路系统选用件-硬管总成(件3) Mast Piping Optional Parts					
起升高度 LIFTING HEIGHT	2.5t		3.0t	3.5-3.8t	
	ID.	A20487-01000 PLASTIC HOSE	ID.	ID.	A35487-01000 PLASTIC HOSE
3000	69055765	A20487-01001	69034174	69055776	A35487-01001
3300	69055766	A20487-01002	69034175	69055777	A35487-01002
3500	69055767	A20487-01003	69034176	69055778	A35487-01003
3700	69055768	A20487-01004	69034177	69055779	A35487-01004
4000	69055769	A20487-01005	69034178	69055780	A35487-01005
4500	69055770	A20487-01006	69034179	69055781	A35487-01006
5000	69055771	A20487-01007	69034180	69055782	A35487-01007
5500	69055772	A20487-01008	69034181	69055783	A35487-01008
6000	69055773	A20487-01009	69034182	69055784	A35487-01009

图91/Fig91.

FD25-38 (T)



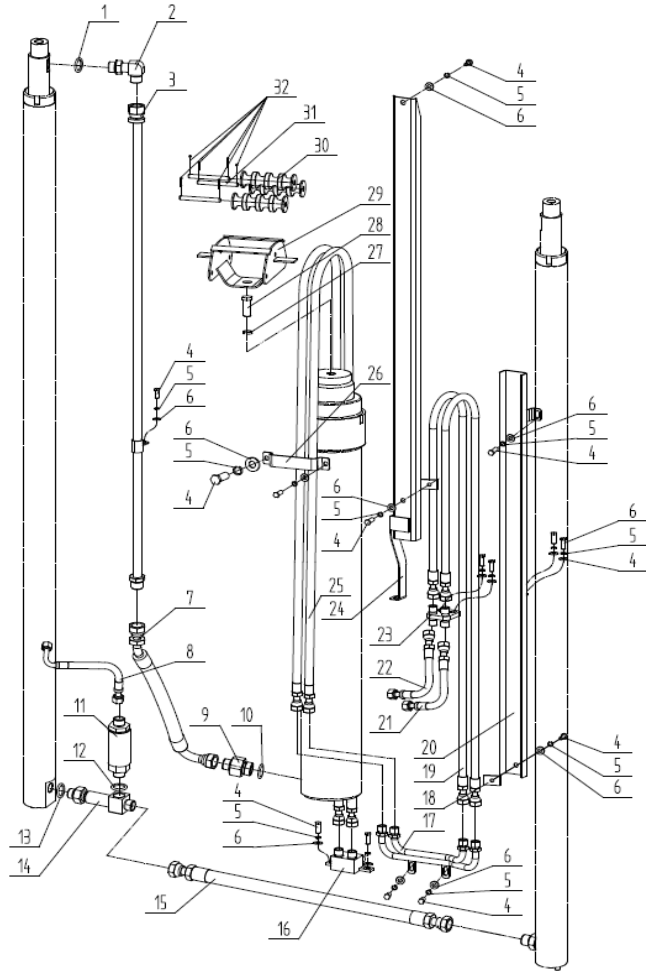
门架管路系统(二级全自由三联) MAST HYDRAULIC SYSTEM(FULL FREE 2-STAGE MAST THREE-THROW)

序号	物料编码	代号	名称	数量	备注
Item No.	ID.	Part No.	Description	Q' ty	Remark
A	N/A	-	Mast Hydraulic Piping system	1	2.5-3.8t
1	69124144	GB/T3452.1-19*2.65-G	O-ring 19*2.65	1	
2	69003137	M3077601000	Pipe connector	1	
3	N/A	A20487-01000	Pipe ass'y	1	2.5t AS NEEDED
-	N/A	A30487-02000	Pipe ass'y	1	3t AS NEEDED
-	N/A	A35487-01000	Pipe ass'y	1	3.5-3.8t AS NEEDED
4	69000309	GB/T5783-M8*16-8.8J	Bolt M8*16	14	
5	69000259	GB/T97.1-8	Washer 8	14	
6	69000062	GB/T93-8	Washer 8	14	
7	69015804	15387-00001	H.P. Hose between pipe and middle cylinder	1	
8	69011952	30386-00003	Flow regulator H.P. hose II	1	
9	69012037	30387-00003	Middle cylinder connector	1	
10	69124132	GB1235-30*3.5-G	O-ring 30*3.5	1	
11	69002920	20386-01000	Flow regulator	1	2.5t
-	69002922	30386-03000	Flow regulator	1	3t
-	69002923	35386-02000	Flow regulator	1	3.5-3.8t
12	69022457	GB/T1235-24*2.4	O-ring 24*2.4	1	
13	69124142	GB/T3452.1-17*2.65-G	O-ring 17*2.65	1	
14	69016646	30386-01000	Lift cylinder tee connector	1	
15	69001331	30386-00001	H.P. hose between lift cylinders 13 II-375	1	2.5t
-	69034147	A30486-00001	H.P. hose between lift cylinders 13 II-380	1	3.0t
-	69126607	S30488-00002	H.P. hose between lift cylinders 13 II-385	1	3.5-x4t
16	69012712	30387S-08000	Cross connector II	1	
17	69034163	A30487S-04000	Connecting pipe	1	2.5t
18	69056648	30387S-07001	Bottom plate	2	

图91/Fig91.

门架管路系统(二级全自由三联) MAST HYDRAULIC SYSTEM(FULL FREE 2-STAGE MAST THREE-THROW)

FD25-38 (T)

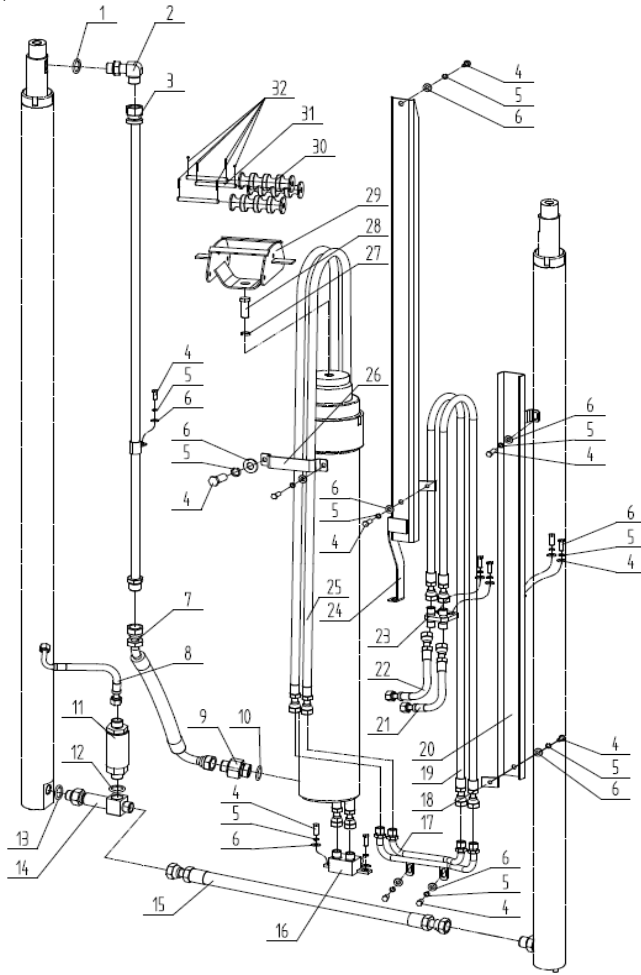


序号	物料编码	代号	名称	数量	备注
Item No.	ID.	Part No.	Description	Q' ty	Remark
19	N/A	A30487S-05000	Cross H.P.hose	2	
20	N/A	A30487S-03000	Guider ass'y(right) II	1	AS NEEDED
21	69034160	A30487S-00001	Multi-valve -Cross H.P.hose I	2	1
22	69034161	A30487S-00002	Multi-valve -Cross H.P.hose II	2	1
23	69034162	A30487S-01000	Cross connector	1	
24	N/A	A20487S-01000	Guider ass'y(right) I	1	2.5t AS NEEDED
-	N/A	A30487S-02000	Guider ass'y(right) I	1	3t AS NEEDED
-	N/A	A35487S-01000	Guider ass'y(right) I	1	3.5-3.8t AS NEEDED
25	N/A	A20487S-02000	Side shift H.P.hose	2	2.5t AS NEEDED
-	N/A	A30487S-06000	Side shift H.P.hose	2	3t AS NEEDED
-	N/A	A35487S-02000	Side shift H.P.hose	2	3.5-3.8t AS NEEDED
26	69042096	A30488S-00002	Pipe clamp	1	
27	69000056	GB/T93-16	Washer 16	1	
28	69000176	GB/T5783-M16*80-8.8J	Bolt M16*80	1	
29	69115099	A30488S-01000A-Black	Roller bracket	1	
30	69123554	A30488S-00001B	Pulley	3	
31	69042097	GB/T880-Φ8*120	Shaft Φ8*120	3	
32	69005787	GB/T91-2*16	Cotter pin 2*16	6	

图91/Fig91.

门架管路系统(二级全自由三联) MAST HYDRAULIC SYSTEM(FULL FREE 2-STAGE MAST THREE-THROW)

FD25-38(T)



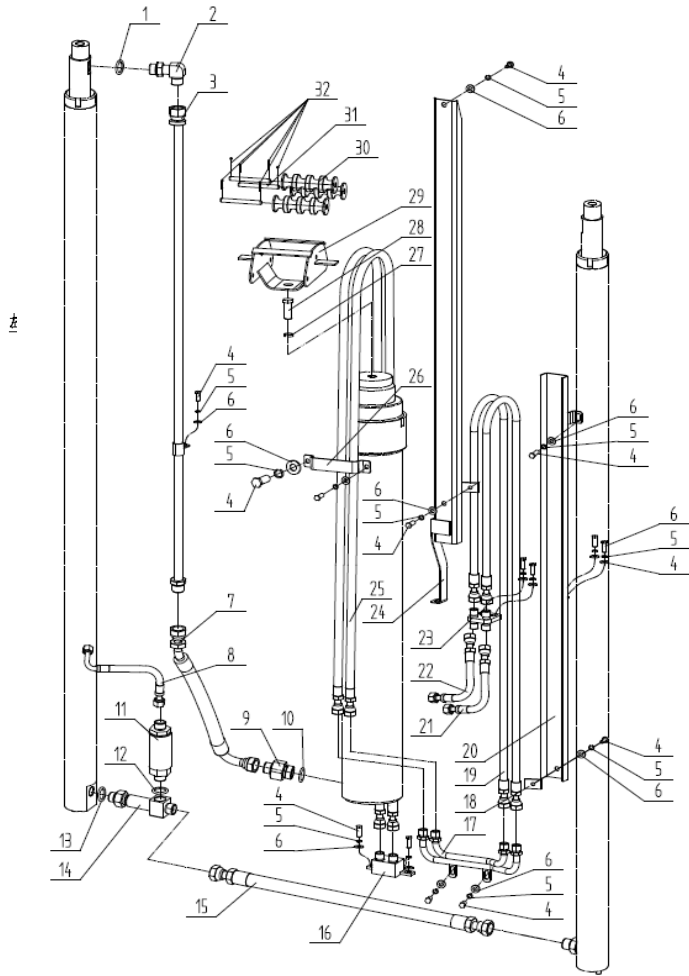
管路系统选用件-四通-转接硬管胶管(件19)  
Mast Piping Optional Parts

起升高度 LIFTING HEIGHT	ID.	A30487S-05000 PLASTIC HOSE	备注 REMARK
3000	69036319	A30487S-05001	标准
3300	69036320	A30487S-05002	
3500	69036321	A30487S-05003	
3700	69016866	35387S-02005	
4000	69036323	A30487S-05005	
4500	69036324	A30487S-05006	
5000	69017072	30386S-01005	
5500	69016629	20388S-01007	
6000	69013007	30387S-01019	

图91/Fig91.

## 门架管路系统(二级全自由三联) MAST HYDRAULIC SYSTEM(FULL FREE 2-STAGE MAST THREE-THROW)

FD25-38 (T)

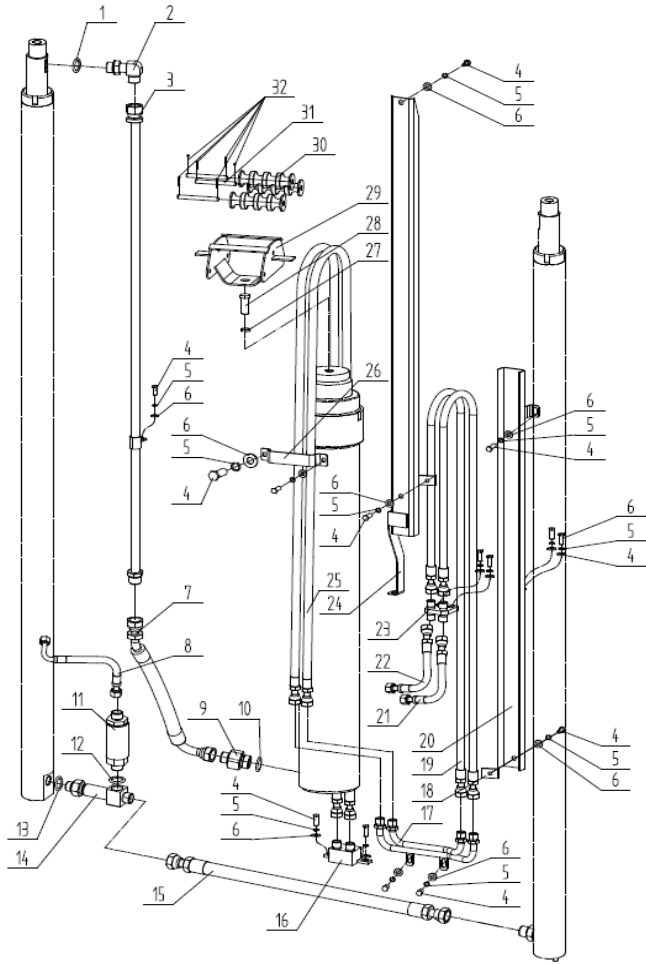
管路系统选用件-右导槽总成 II (件20)  
Mast Piping Optional Parts

起升高度 LIFTING HEIGHT	ID.	A30487S-03000 Guider ass'y(right) II	备注 REMARK
3000	69044880	A30487S-03000/1	标准
3300	69044881	A30487S-03000/2	
3500	69044882	A30487S-03000/3	
3700	69044883	A30487S-03000/4	
4000	69044884	A30487S-03000/5	
4500	69044885	A30487S-03000/6	
5000	69044886	A30487S-03000/7	
5500	69044878	A30487S-03000/8	
6000	69044888	A30487S-03000/9	

图91/Fig91.

门架管路系统(二级全自由三联) MAST HYDRAULIC SYSTEM(FULL FREE 2-STAGE MAST THREE-THROW)

FD25-38 (T)



管路系统选用件-右导槽总成 I (件24)  
Mast Piping Optional Parts

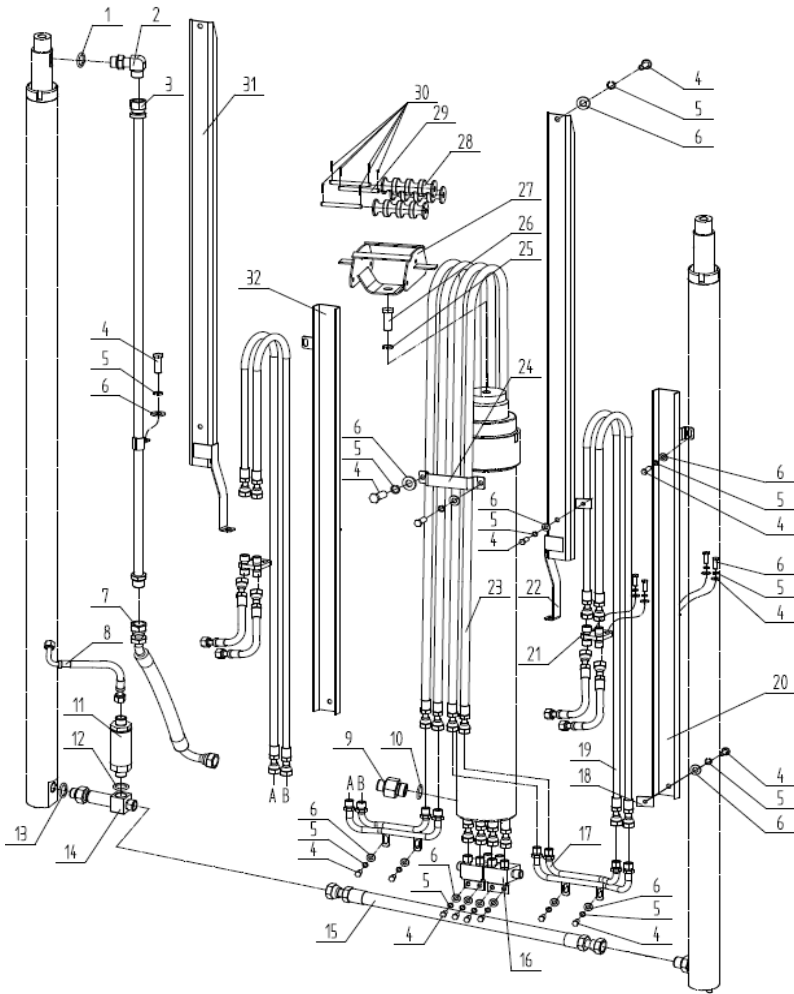
起升高度 LIFTING HEIGHT	2.5t		3.0t		3.5-3.8t	
	ID.	A20487S-01000 Guider ass'y(right) I	ID.	A35487S-01000 Guider ass'y(right) I	ID.	A35487S-01000 Guider ass'y(right) I
3000	69055756	A20487S-01000/1	69044871	69055785	69055785	A35487S-01000/1
3300	69055757	A20487S-01000/2	69044872	69055786	69055786	A35487S-01000/2
3500	69055758	A20487S-01000/3	69044873	69055787	69055787	A35487S-01000/3
3700	69055759	A20487S-01000/4	69044874	69055788	69055788	A35487S-01000/4
4000	69055760	A20487S-01000/5	69044875	69055789	69055789	A35487S-01000/5
4500	69055761	A20487S-01000/6	69044876	69055790	69055790	A35487S-01000/6
5000	69055762	A20487S-01000/7	69044877	69055791	69055791	A35487S-01000/7
5500	69055763	A20487S-01000/8	69044878	69055792	69055792	A35487S-01000/8
6000	69055764	A20487S-01000/9	69044879	69055793	69055793	A35487S-01000/9



图92/Fig92.

门架管路系统(二级全自由四联) MAST HYDRAULIC SYSTEM(FULL FREE 2-STAGE MAST FOUR-THROW)

FD25-38 (T)



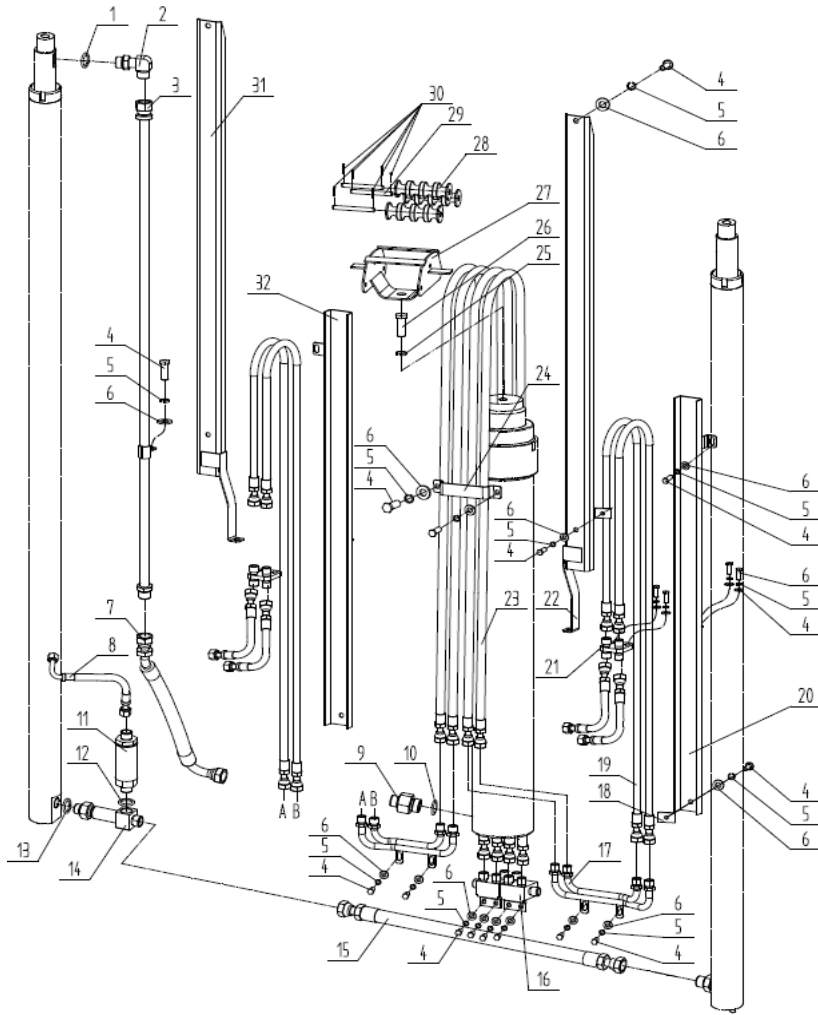
序号	物料编码	代号	名称	数量	备注
Item No.	ID.	Part No.	Description	Q' ty	Remark
A	N/A	-	Mast Hydraulic Piping system	1	2.5-3.8t
1	69124144	GB/T3452.1-19*2.65-G	O-ring 19*2.65	1	
2	69003137	M3077601000	Pipe connector	1	
3	N/A	A20487-01000	Pipe ass'y	1	2.5t AS NEEDED
-	N/A	A30487-02000	Pipe ass'y	1	3t AS NEEDED
-	N/A	A35487-01000	Pipe ass'y	1	3.5-3.8t AS NEEDED
4	69000309	GB/T5783-M8*16-8.8J	Bolt M8*16	25	
5	69000259	GB/T97.1-8	Washer 8	25	
6	69000062	GB/T93-8	Washer 8	25	
7	69015804	15387-00001	H.P.hose between pipe and middle cylinder	1	
8	69011952	30386-00003	Multi-valve Flow regulator H.P. hose II	1	
9	69012037	30387-00003	Middle cylinder connector	1	
10	69124132	GB1235-30*3.5-G	O-ring 30*3.5	1	
11	69002920	20386-01000	Flow regulator	1	2.5t
-	69002922	30386-03000	Flow regulator	1	3t
-	69002923	35386-02000	Flow regulator	1	3.5-3.8t
12	69022457	GB/T1235-24*2.4	O-ring 24*2.4	1	
13	69124142	GB/T3452.1-17*2.65-G	O-ring 17*2.65	1	
14	69016646	30386-01000	Lift cylinder tee connector	1	
15	69001331	30386-00001	H.P. hose between lift cylinders 13 II-375	1	2.5t
-	69034147	A30486-00001	H.P. hose between lift cylinders 13 II-380	1	3.0t
-	69126607	S30488-00002	H.P. hose between lift cylinders 13 II-385	1	3.5-4t
16	69034198	A30488S-04000	Cross connector I	1	
17	69056646	A30487SS-04000	Connecting pipe II	1	
18	69056648	30387S-07001	Bottom plate	4	



图92/Fig92.

## 门架管路系统(二级全自由四联) MAST HYDRAULIC SYSTEM(FULL FREE 2-STAGE MAST FOUR-THROW)

FD25-38 (T)



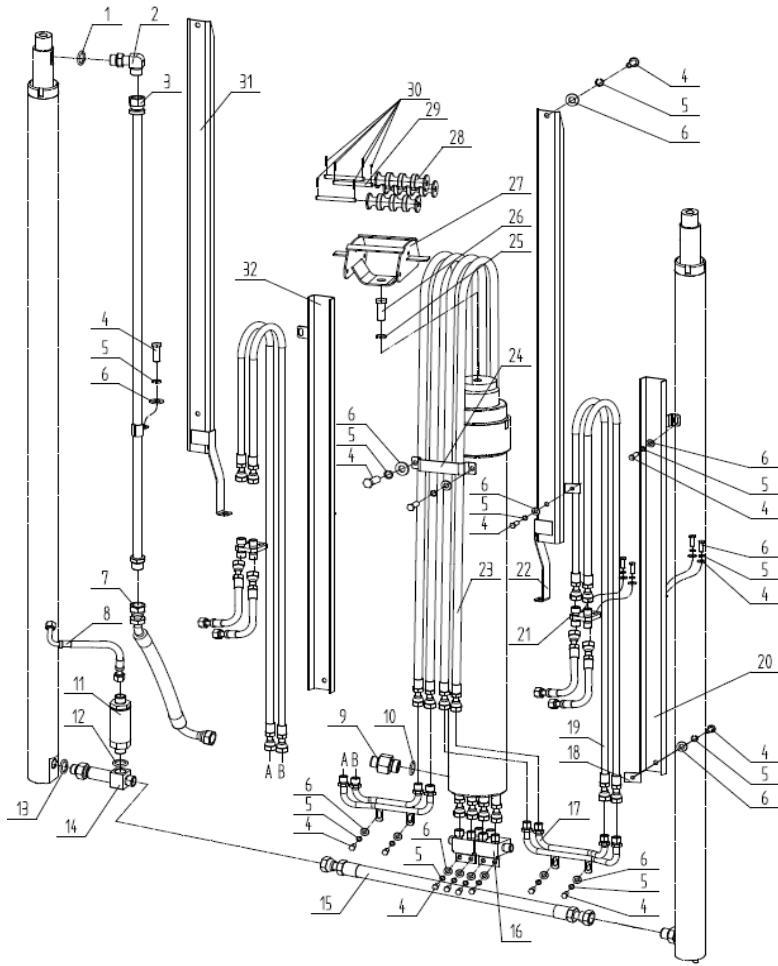
序号	物料编码	代号	名称	数量	备注
Item No.	ID.	Part No.	Description	Q'ty	Remark
19	N/A	A30487S-05000	Cross-H. P. hose	4	
20	N/A	A30487S-03000	Guider ass'y(right) II	1	AS NEEDED
21	69034162	A30487S-01000	Cross connector	2	
22	N/A	A20487S-01000	Guider ass'y(right) I	1	2.5t AS NEEDED
-	N/A	A30487S-02000	Guider ass'y(right) I	1	3t AS NEEDED
-	N/A	A35487S-02000	Guider ass'y(right) I	1	3.5-3.8t AS NEEDED
23	N/A	A20487S-02000	Side shift H.P. hose	2	2.5t AS NEEDED
-	N/A	A30487S-06000	Side shift H.P. hose	2	3t AS NEEDED
-	N/A	A35487S-02000	Side shift H.P. hose	2	3.5-3.8t AS NEEDED
24	69042096	A30488S-00002	Pipe clamp	1	
25	69000056	GB/T93-16	Washer 16	1	
26	69000176	GB/T5783-M16*80-8.8J	Bolt M16*80	1	
27	69115099	A30488S-01000A-Black	Roller bracket	1	
28	69123554	A30488S-00001B	Pulley	3	
29	69042097	GB/T880-Φ8*120	Shaft Φ8*120	3	
30	69005787	GB/T91-2*16	Cotter pin 2*16	6	
31	N/A	A20487SS-01000	Guider ass'y(left) I	1	2.5t AS NEEDED
-	N/A	A30487SS-01000	Guider ass'y(left) I	1	3t AS NEEDED
-	N/A	A35487SS-01000	Guider ass'y(left) I	1	3.5-3.8t AS NEEDED
32	N/A	A20487SS-02000	Guider ass'y(left) II	1	2.5t AS NEEDED
-	N/A	A30487SS-02000	Guider ass'y(left) II	1	3-3.8t AS NEEDED
33	69056273	A20487SS-03000	Connecting pipe	1	2.5t
-	69034159	A30487SS-03000	Connecting pipe	1	3-3.8t
34	69034214	A30488SS-04000	Cross connector I	1	
35	69034160	A30487S-00001	Multi-valve -Cross H.P. hose I	2	
36	69034161	A30487S-00002	Multi-valve -Cross H.P. hose II	2	
37	69034157	A30487SS-00001	Multi-valve -Cross H.P. hose I	2	
38	69034158	A30487SS-00002	Multi-valve -Cross H.P. hose II	2	



图92/Fig92.

门架管路系统(二级全自由四联) MAST HYDRAULIC SYSTEM(FULL FREE 2-STAGE MAST FOUR-THROW)

FD25-38 (T)



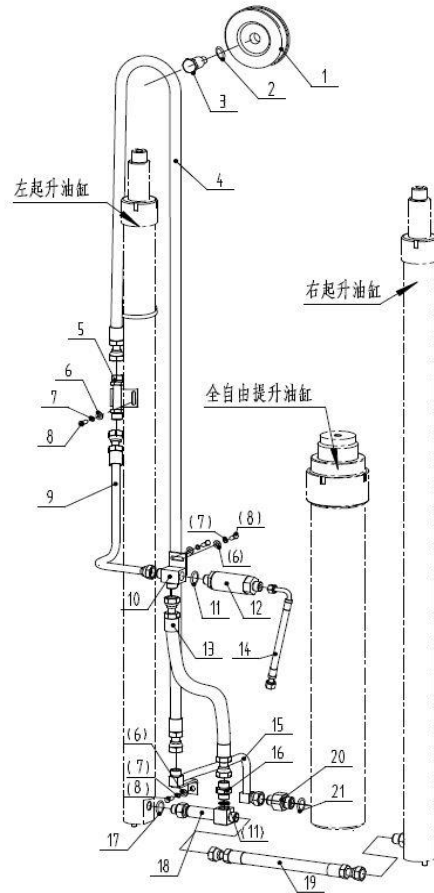
管路系统选用件-左导槽总成 II (件32)  
Mast Piping Optional Parts

起升高度 LIFTING HEIGHT	2.5t		3.0-3.8t	备注 REMARK
	ID.	A20487SS-02000 Guider ass'y(left) II	ID.	
3000	69056274	A20487SS-02000/1	69044916	标准
3300	69056275	A20487SS-02000/2	69044917	
3500	69056276	A20487SS-02000/3	69044918	
3700	69056277	A20487SS-02000/4	69044919	
4000	69056278	A20487SS-02000/5	69044920	
4500	69056279	A20487SS-02000/6	69044921	
5000	69056280	A20487SS-02000/7	69044922	
5500	69056281	A20487SS-02000/8	69044923	
6000	69056282	A20487SS-02000/9	69044924	

图93/Fig93.

门架管路系统(三级全自由二联) MAST HYDRAULIC SYSTEM(FULL FREE 3-STAGE MAST TWO-THROW)

FD25-40(T)



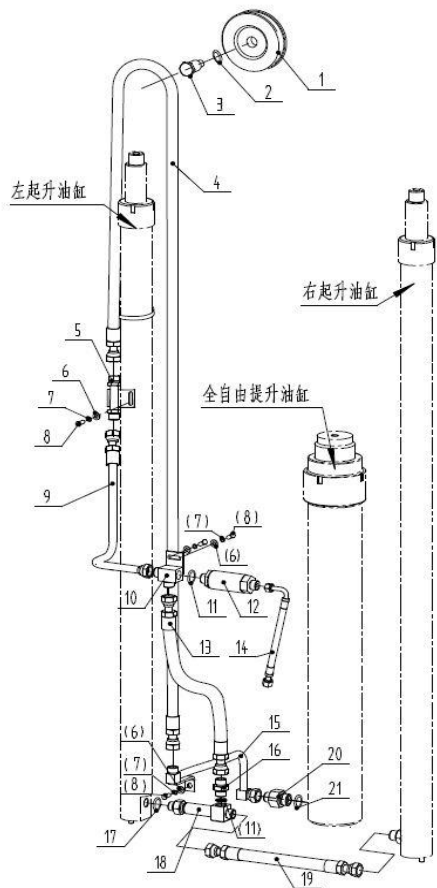
序号	物料编码	代号	名称	数量	备注
Item No.	ID.	Part No.	Description	Q'ty	Remark
A	N/A	-	Mast Hydraulic Piping System	1	2.5-x4t
1	69004304	30388-00002	3 stage single pulley	1	
2	69000579	30386S-00004 (8)	Spacer	2	
3	69016768	30388-00004	Step bolt	1	
4	N/A	S20488-01000	Full free middle cylinder H.P.hose	1	2.5t AS NEEDED
-	N/A	S30488-01000	Full free middle cylinder H.P.hose	1	3t AS NEEDED
-	N/A	S35488-01000	Full free middle cylinder H.P.hose	1	3.5-3.8t AS NEEDED
-	N/A	S40488XLS01000	Full free middle cylinder H.P.hose	1	x4t AS NEEDED
5	69069533	S30488-02000	Connecting pipe	1	
6	69000259	GB/T97.1-8	Washer 8	4	
7	69000062	GB/T93-8	Washer 8	4	
8	69000309	GB/T5783-M8*16-8.8J	Bolt M8*16	4	
9	69069532	S30488-00001	Connecting H.P.hose	1	
10	69016770	30388-02000	Flow regulator tee connector	1	
11	69022457	GB/T1235-24*2.4	O-ring 24*2.4	2	
12	69002920	20386-01000	Flow regulator	1	2.5t
-	69002922	30386-03000	Flow regulator	1	3t
-	69002923	35386-02000	Flow regulator	1	3.5-x4t
13	69016886	35388-00001	H.P.hose between tee connectors	1	
14	69011952	30386-00003	Multi-valve Flow regulator H.P. hose II	1	
15	69034190	A30488-02000	Middle cylinder inlet pipe	1	3t
-	69042971	A35488-02000	Middle cylinder inlet pipe	1	3.5-x4t
16	69011952	30386-00003	Multi-valve Flow regulator H.P. hose II	1	
17	69124142	GB/T3452.1-17*2.65-G	O-ring 17*2.65	1	
18	69016646	30386-01000	Lift cylinder tee connector	1	



图93/Fig93.

门架管路系统(三级全自由二联) MAST HYDRAULIC SYSTEM(FULL FREE 3-STAGE MAST TWO-THROW)

FD25-40(T)

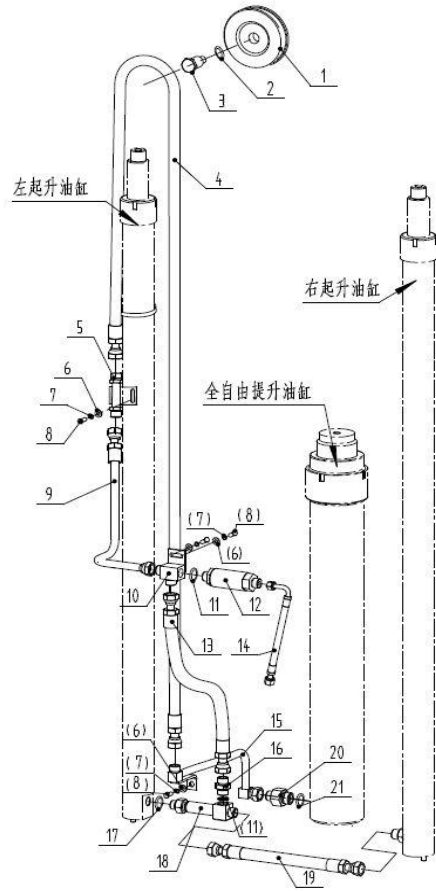


管路系统选用件-全自由缸进油胶管(件4) Mast Piping Optional Parts				
起升高度 LIFTING HEIGHT	2.5t		3.0t	
	ID.	S20488-01000 PLASTIC HOSE	ID.	
3600	69070967	S20488-01001	69069535	
4000	69042812	A20488-01001	69012316	
4350	69042839	A20488-01002	69012317	
4500	69012317	16888-01002	69016877	
4800	69016754	30388-01003	69016755	
5000	69042965	A35488-01003	69016756	
5400	69042845	A20488-01006	69012320	
5500	69016882	35388-01007	69012942	
6000	69016883	35388-01008	69069536	

图93/Fig93.

门架管路系统(三级全自由二联) MAST HYDRAULIC SYSTEM(FULL FREE 3-STAGE MAST TWO-THROW)

FD25-40 (T)



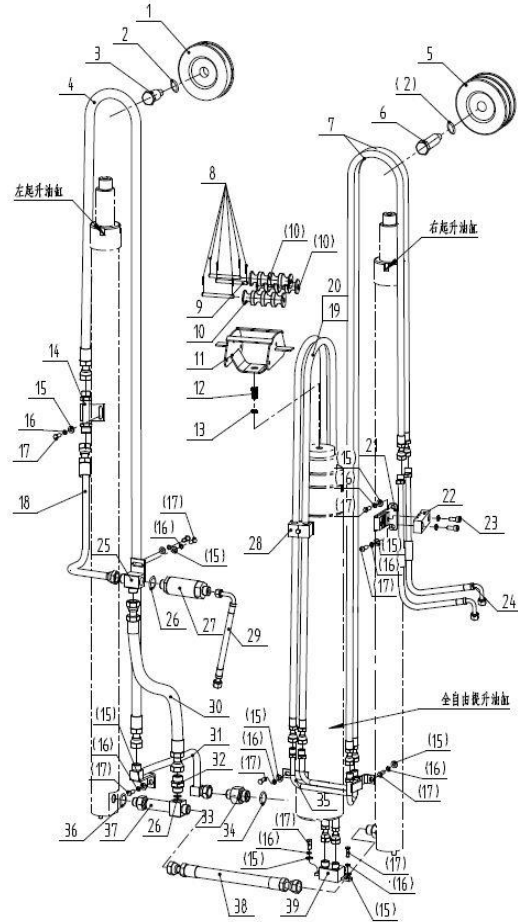
管路系统选用件-全自由缸进油胶管(件4)  
Mast Piping Optional Parts

起升高度 LIFTING HEIGHT	3.8t		4t	备注 REMARK
	ID.	S35488-01000 PLASTIC HOSE	ID.	
3600	69071003	S35488-01001	69012316	
4000	69042963	A35488-01001	69012317	
4350	69042964	A35488-01002	69012315	
4500	69012315	16888-01003	69012318	
4800	69016879	35388-01004	69012319	
5000	69016880	35388-01005	69012320	
5400	69042966	A35488-01004	69012321	
5500	69016758	30388-01007	69012322	
6000	69012945	40388X-01008	69012323	

图94/Fig94.

门架管路系统(三级全自由三联) MAST HYDRAULIC SYSTEM(FULL FREE 3-STAGE MAST THREE-THROW)

FD25-40(T)



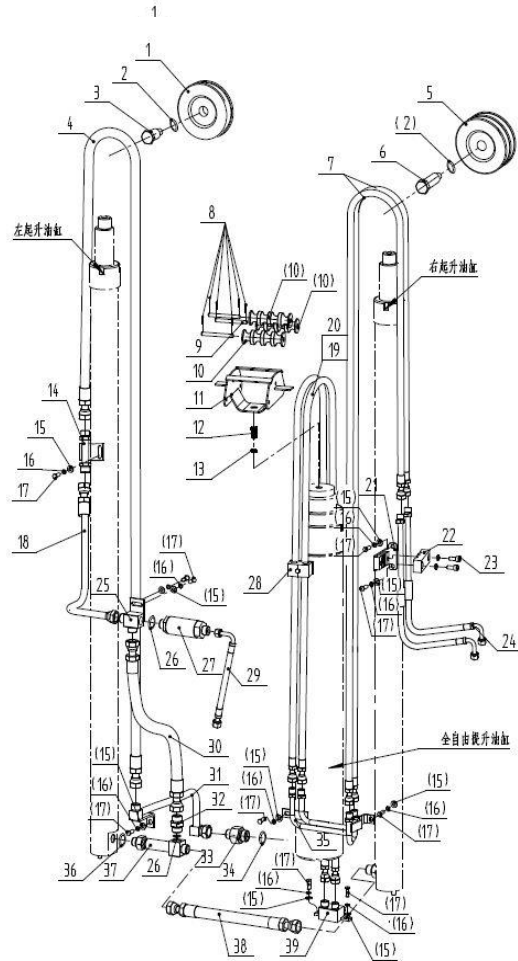
序号	物料编码	代号	名称	数量	备注
Item No.	ID.	Part No.	Description	Q'ty	Remark
A	N/A	-	Mast Hydraulic Piping system	1	2.5-x4t
1	69004304	30388-00002	3 stage single pulley	1	
2	69000579	30386S-00004 (8)	Spacer	3	
3	69016768	30388-00004	Step bolt	1	
4	N/A	S20488-01000	Full free middle cylinder H.P.hose	1	2.5t AS NEEDED
-	N/A	S30488-01000	Full free middle cylinder H.P.hose	1	3t AS NEEDED
-	N/A	S35488-01000	Full free middle cylinder H.P.hose	1	3.5-3.8t AS NEEDED
-	N/A	S40488XLS01000	Full free middle cylinder H.P.hose	1	x4t AS NEEDED
5	69012028	30388S-00004	3 stage double pulley	1	
6	69016660	30386S-00003	Step bolt	4	
7	N/A	S20488S-01000	Side shift H.P.hose I	2	2.5t AS NEEDED
-	N/A	S30488S-01000	Side shift H.P.hose I	2	3t AS NEEDED
-	N/A	S35488S-01000	Side shift H.P.hose I	2	3.5-3.8t AS NEEDED
-	N/A	S40488XLS01000	Side shift H.P.hose I	2	x4t AS NEEDED
8	69005787	GB/T91-2*16	Cotter pin 2*16	6	
9	69042097	GB/T880-Φ8*120	Shaft Φ8*120	3	
10	69123554	A30488S-00001B	Pulley	3	
11	69115099	A30488S-01000A-Black	Roller bracket	1	
12	69000176	GB/T5783-M16*80-8.8J	Bolt M16*80	1	
13	69000056	GB/T93-16	Washer 16	1	
14	69069533	S30488-02000	Connecting pipe	1	
15	69000259	GB/T97.1-8	Washer 8	12	
16	69000062	GB/T93-8	Washer 8	12	
17	69000309	GB/T5783-M8*16-8.8J	Bolt M8*16	12	
18	69069532	S30488-00001	Connecting H.P.hose	1	



图94/Fig94.

## 门架管路系统(三级全自由三联) MAST HYDRAULIC SYSTEM(FULL FREE 3-STAGE MAST THREE-THROW)

FD25-40(T)



序号	物料编码	代号	名称	数量	备注
Item No.	ID.	Part No.	Description	Q'ty	Remark
19	N/A	A20488S-02000	Pulley H.P. hose II	2	2.5t
-	N/A	A30488S-02000	Side shift H.P.hose	2	3t AS NEEDED
-	N/A	A35488S-03000	Side shift H.P.hoseIII	2	3.5-x4t AS NEEDED
20	N/A	A20488S-03000	Side shift H.P.hoseIII	2	2.5t(内置侧移用) AS NEEDED
-	N/A	A30488S-02000	Side shift H.P.hose	2	3t(内置侧移用) AS NEEDED
-	N/A	A35488S-02000	Side shift H.P.hose II	2	3.5-x4t(内置侧移用) AS NEEDED
21	69069601	S30488S-02000	Pipe clamp plate	1	
22	69069599	S30488S-00001	Pipe clamp	1	
23	69000243	GB/T70. 1-M8*20-8. 8J	Screw M8*20	2	
24	69069600	S30488S-00002	Multi-valve adjusting pipe H.P.hose	2	
25	69016770	30388-02000	Flow regulator tee connector	1	
26	69022457	GB/T1235-24*2. 4	O-ring 24*2.4	2	
27	69002920	20386-01000	Flow regulator	1	2.5t
-	69002922	30386-03000	Flow regulator	1	3t
-	69002923	35386-02000	Flow regulator	1	3.5-x4t
28	69069602	S30488S-00003	Pipe clamp	1	
29	69011952	30386-00003	Multi-valve Flow regulator H.P. hose	1	
30	69016886	35388-00001	H.P.hose between tee connectors	1	
31	69034190	A30488-02000	Middle cylinder inlet pipe	1	2.5-3t
-	69042971	A35488-02000	Middle cylinder inlet pipe	1	3.5-x4t
32	69016767	30388-00003	Connector	1	
33	69006260	30388-00005	Lift cylinder connector	1	
34	69018910	GB/T1235-30*3. 1	O-ring 30*3.1	1	
35	69034197	A30488S-03000	Side shift connecting pipe	1	
36	69124142	GB/T3452. 1-17*2. 65-G	O-ring 17*2.65	1	







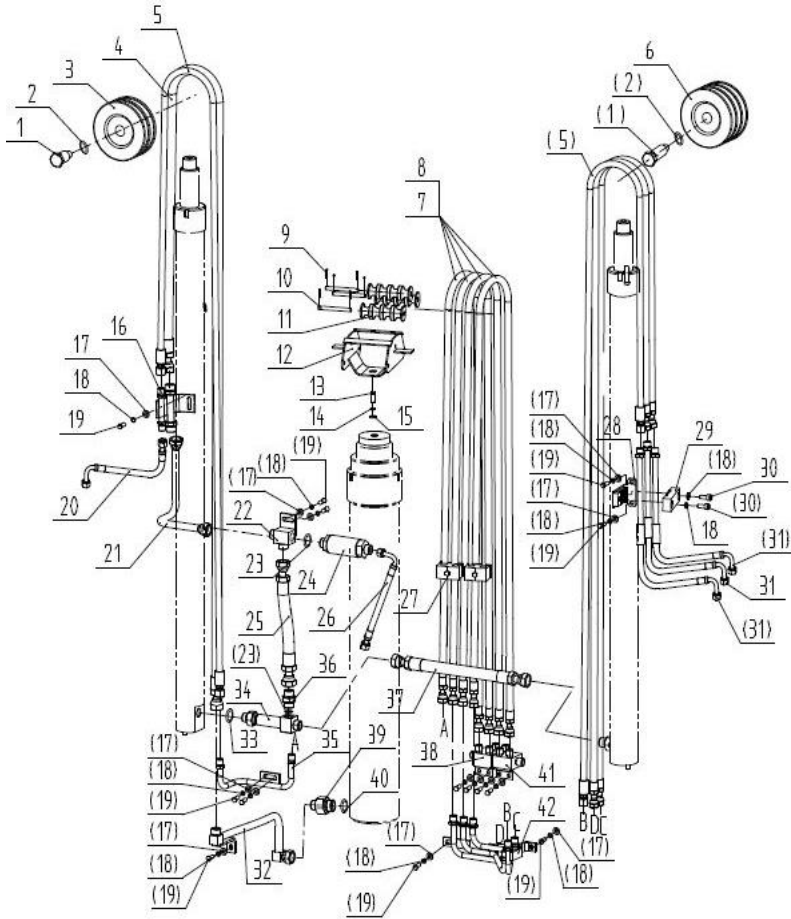




图95/Fig95.

门架管路系统(三级全自由四联) MAST HYDRAULIC SYSTEM(FULL FREE 3-STAGE MAST FOUR-THROW)

FD25-40(T)

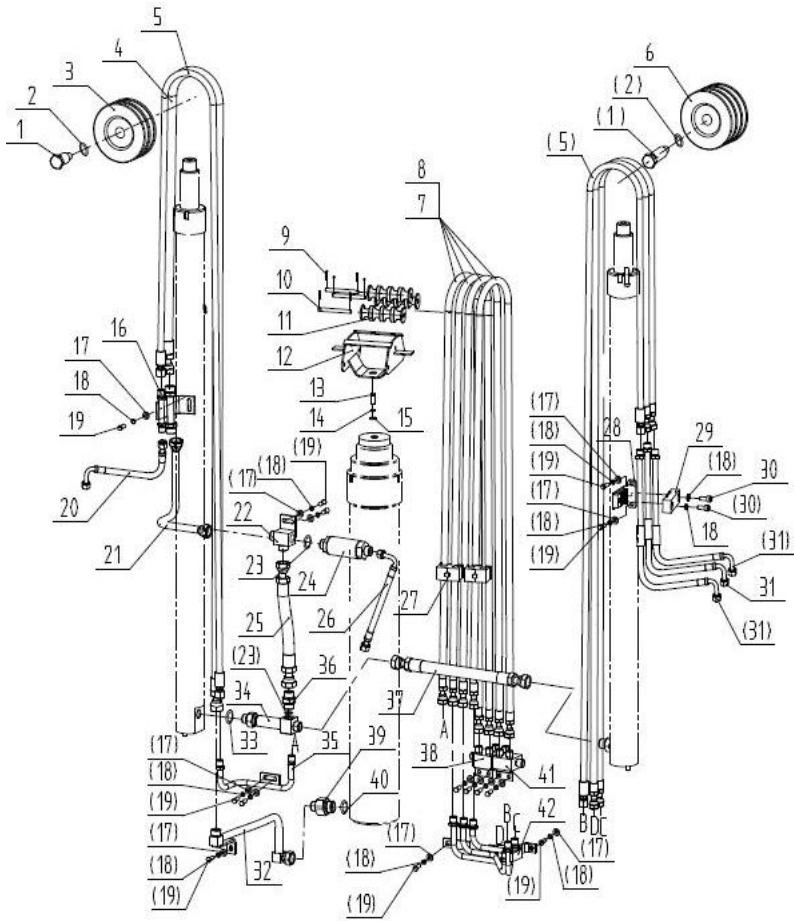


序号	物料编码	代号	名称	数量	备注
Item No.	ID.	Part No.	Description	Q'ty	Remark
A	N/A	-	MAst Hydraulic Piping system	1	2.5-x4t
1	69016660	30386S-00003	Step bolt	2	
2	69000579	30386S-00004 (8)	Spacer	4	
3	69024658	30488W2-00002	3 stage Pulley I	1	
4	N/A	S20488-01000	Full free middle cylinder H.P.hose	1	2.5t AS NEEDED
-	N/A	S30488-01000	Full free middle cylinder H.P.hose	1	3t AS NEEDED
-	N/A	S35488-01000	Full free middle cylinder H.P.hose	1	3.5-3.8t AS NEEDED
-	N/A	S40488XLS01000	Full free middle cylinder H.P.hose	1	x4t AS NEEDED
5	N/A	S20488S-01000	Side shift H.P.hose I	4	2.5t AS NEEDED
-	N/A	S30488S-01000	Side shift H.P.hose I	4	3t AS NEEDED
-	N/A	S35488S-01000	Side shift H.P.hose I	4	3.5-3.8t AS NEEDED
-	N/A	S40488XLS01000	Side shift H.P.hose I	4	x4t AS NEEDED
6	69034208	A30488SS-00001	3 stage Pulley II	4	
7	N/A	A20488S-02000	Side shift H.P.hose II	4	2.5t AS NEEDED
-	N/A	A30488S-02000	Side shift H.P.hose	4	3t AS NEEDED
-	N/A	A35488S-03000	Side shift H.P.hose III	4	3.5-x4t AS NEEDED
8	N/A	A20488S-03000	Side shift H.P.hose III	4	2.5t (内置侧移用) AS NEEDED
-	N/A	A30488S-02000	Side shift H.P.hose	4	3t (内置侧移用) AS NEEDED
-	N/A	A35488S-02000	Side shift H.P.hose II	4	3.5-x4t (内置侧移用) AS NEEDED
9	69005787	GB/T91-2*16	Cotter pin 2*16	6	
10	69042097	GB/T880-Φ8*120	Shaft Φ8*120	3	
11	69123554	A30488S-00001B	Pulley	3	
12	69115099	A30488S-01000A-Black	Roller bracket	1	
13	69000176	GB/T5783-M16*80-8.8J	Bolt M16*80	1	
14	69000056	GB/T93-16	Washer 16	1	

图95/Fig95.

门架管路系统(三级全自由四联) MAST HYDRAULIC SYSTEM(FULL FREE 3-STAGE MAST FOUR-THROW)

FD25-40(T)



序号	物料编码	代号	名称	数量	备注
Item No.	ID.	Part No.	Description	Q'ty	Remark
15	69000253	GB/T97.1-16	Washer 16	1	
16	69069847	S30488SS-01000	Connecting pipe	1	
17	69000259	GB/T97.1-8	Washer 8	14	
18	69000062	GB/T93-8	Washer 8	16	
19	69000309	GB/T5783-M8*16-8.8J	Bolt M8*16	14	
20	69001396	MS1677600002	Steering cylinder H.P. hose I	1	
21	69069532	S30488-00001	Connecting H.P Hose	1	
22	69016770	30388-02000	Flow regulator tee connector	1	
23	69022457	GB/T1235-24*2.4	O-ring 24*2.4	2	
24	69002920	20386-01000	Flow regulator	1	2.5t
-	69002922	30386-03000	Flow regulator	1	3t
-	69002923	35386-02000	Flow regulator	1	3.5-x4t
25	69016886	35388-00001	H.P.hose between tee connectors	1	
26	69011952	30386-00003	Multi-valve Flow regulator H.P. hose II	1	
27	69069602	S30488S-00003	Pipe clamp	2	
28	69069601	S30488S-02000	Pipe clamp plate	1	
29	69069599	S30488S-00001	Pipe clamp	1	
30	69000243	GB/T70.1-M8*20-8.8J	Screw M8*20	2	
31	69069600	S30488S-00002	Multi-valve adjusting pipe H.P.hose	3	
32	69034190	A30488-02000	Middle cylinder inlet pipe	1	2.5-3t
-	69042971	A35488-02000	Middle cylinder inlet pipe	1	3.5-x4t
33	69124142	GB/T3452.1-17*2.65-G	O-ring 17*2.65	1	
34	69016646	30386-01000	Lift cylinder tee connector	1	
35	69129638	S20488SS-01000	Cross Connecting seat I	1	2.0-2.5t
-	69129636	A30488SS-03000A	Cross Connecting seat I	1	3.0-x4t



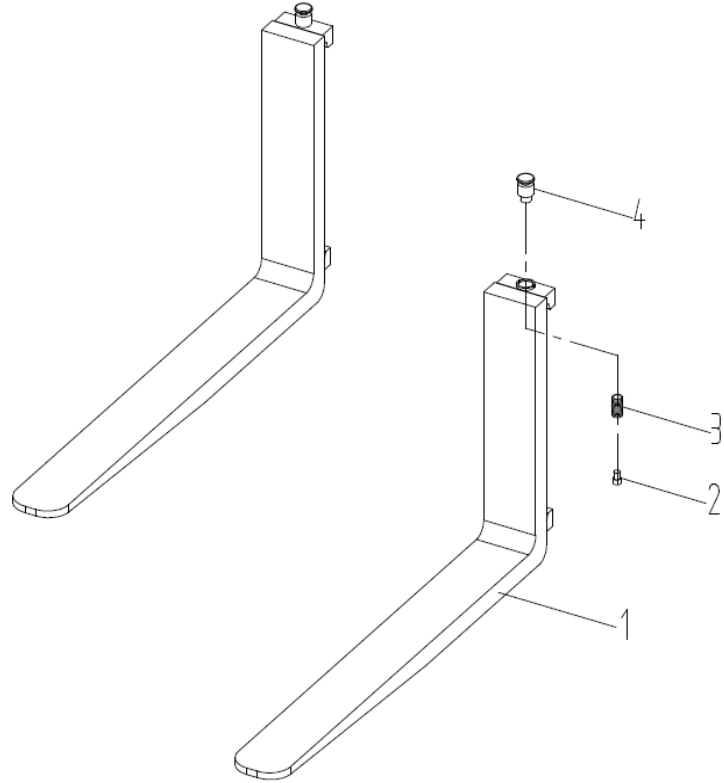




图96/Fig96.

货叉/FORK

FD25-40 (T)



货叉选用表 Fork optional parts

LENGTH	ID No.	PART NO.	ID No.	REMARKS OR SERIAL NO.
		2.5t		
1070	69106093	M20380-HC-122*1070-Black	69105706	
1220	69110648	M20380-HC-122*1220-Black	69110735	
1370	69110646	M20380-HC-122*1370-Black	69110730	
1520	69110645	M20380-HC-122*1520-Black	69110726	
1670	69110643	M20380-HC-122*1670-Black	69110723	
1820	69110642	M20380-HC-122*1820-Black	69110720	
1970	69110641	M20380-HC-122*1970-Black	69110717	
2120	69110639	M20380-HC-122*2120-Black	69110713	
2300	69110637	M20380-HC-122*2300-Black	69110709	
2440	69110636	M20380-HC-122*2440-Black	69110705	



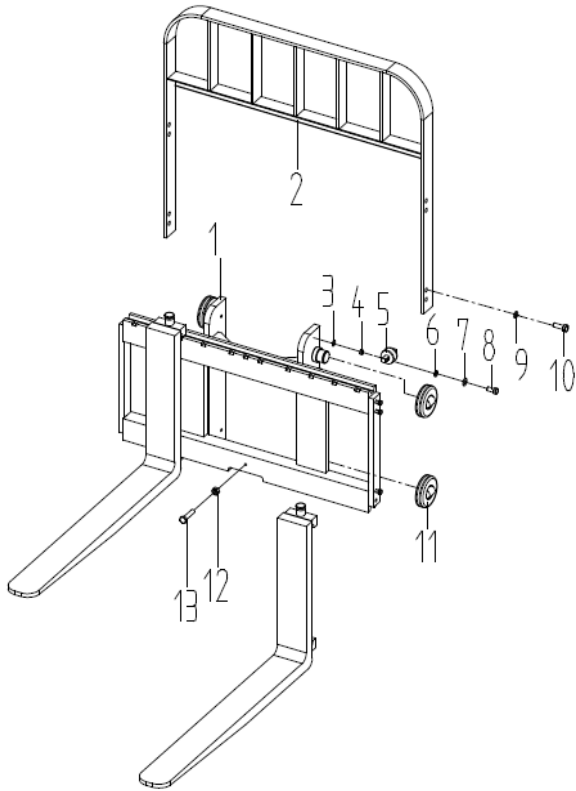




图99 /Fig99.

货叉架(三级全自由)/LIFT BRACKET (FULL FREE 3 STAGE MAST)

FD25(T)



序号	物料代码	代号	名称	数量	备注
Item No.	ID NUMBER	Part No.	Description	Q'ty	Remark
1	69106243	A20484-01000-Black	Fork carriage	1	2.5t
2	69106077	20380A-02000-Black	Backrest	1	2.5t
3	69065211	M3038000006	Adjusting washer II	2组	
4	69065210	M3038000012	Washer	2组	
5	69021881	M3038010000	Side roller C2-5	2	
6	69000250	GB/T97.1-10	Washer 10	4	
7	69000053	GB/T93-10	Washer 10	4	
8	69024917	GB/T5786-M10*1.25*45-8.8J	Bolt M10×1.25×45	4	
9	69005111	GB/T93-14	Washer 14	8	
10	69000159	GB/T5786-M14*1.5*30-8.8J	Bolt M14×1.5×30	8	
11	69021690	M3038007000	Combination roller 760311NT	4	
12	69000103	GB/T6170-M10-8J	Nut M10	1	
13	69000128	GB/T5783-M10*30-8.8J	Bolt M10×30	1	

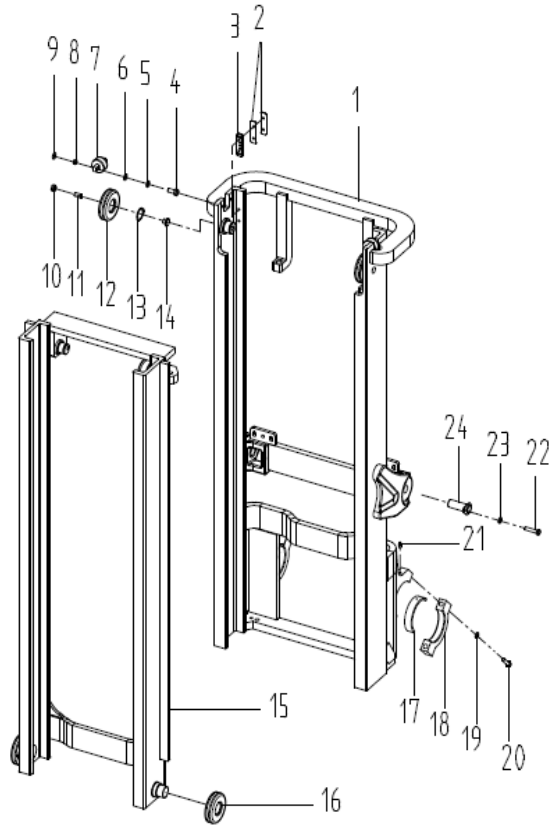




图101/Fig101.

门架(基本型)/MAST(NORMAL MAST)

FD25-40(T)



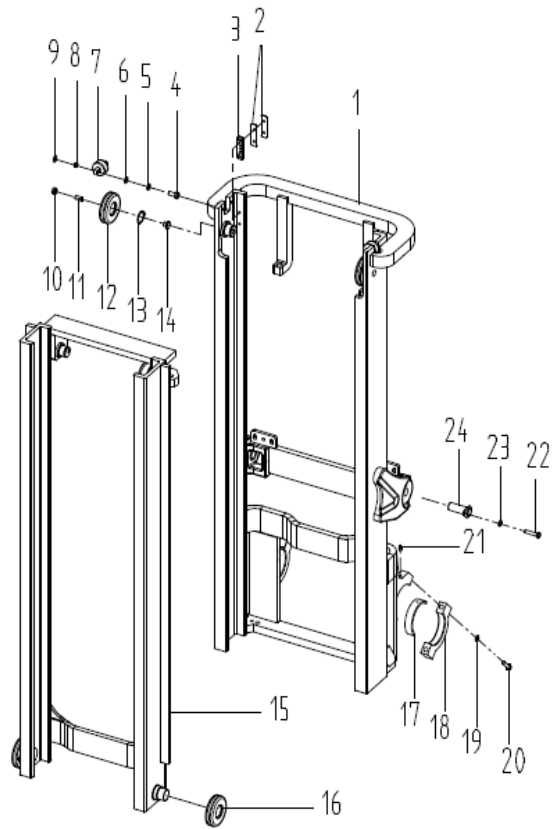
序号	物料代码	代号	名称	数量	备注
Item No.	ID NUMBER	Part No.	Description	Q'ty	Remark
1	N/A	MJ20380-01000	Outer mast ass'y	1	2.5t AS NEEDED
-	N/A	MJ30380-01000	Outer mast ass'y	1	3t AS NEEDED
-	N/A	MJ35380-01000	Outer mast ass'y	1	3.5-3.8t AS NEEDED
-	N/A	MJ40380X-01000	Outer mast ass'y	1	x4t AS NEEDED
2	69009498	M3038000004/0.5	Adjusting washer	AR	
3	69034185	A30480-00001	Slipper	2	
4	69024917	GB/T5786-M10*1.25*45-8.8J	Bolt M10×1.25×45	4	
5	69000053	GB/T93-10	Washer 10	4	
6	69000250	GB/T97.1-10	Washer 10	4	
7	69021881	M3038010000	Side roller C2-5	2	
8	69068137	M3038000012/18	Washer	4	
9	69065211	M3038000006	Adjusting washer II	2组	
10	69011485	GB/T6171-M10*1-8J	Nut M10×1	2	
11	69021681	GB/T79-M10*1*45	Screw M10×1×45	2	
12	69002362	M3038008000	Single roller 130309KT	2	
13	69000071	GB/T894.1-Φ45	Axis circlip 45	2	
14	69012654	M3038000010	Adjusting shim	2	
15	N/A	MJ20380-02000	Inner mast ass'y	1	2.5t AS NEEDED
-	N/A	MJ30380-02000	Inner mast ass'y	1	3t AS NEEDED
-	N/A	MJ35380-02000	Inner mast ass'y	1	3.5-3.8t AS NEEDED
-	N/A	MJ40380X-02000	Inner mast ass'y	1	x4t AS NEEDED
16	69021690	M3038007000	Combination roller 760311NT	2	
17	69012068	M3038000002	bearing liner	2	
18	69004874	M3038000001	bearing cap	2	
19	69000056	GB/T93-16	Washer 16	4	



图101/Fig101.

门架(基本型)/MAST(NORMAL MAST)

FD25-40(T)



外门架选用表 Out Mast Optional Parts

LENGTH	ID No.	PART NO.	ID No.	REMARKS OR SERIAL NO.
		2.5t		
3000	69101222	MJ20380-01000-3.0M-Black	69101321	标准
3300	69101223	MJ20380-01000-3.3M-Black	69101322	
3500	69101224	MJ20380-01000-3.5M-Black	69101323	
3700	69101226	MJ20380-01000-3.7M-Black	69101325	
4000	69101227	MJ20380-01000-4.0M-Black	69101326	
4500	69101229	MJ20380-01000-4.5M-Black	69101328	
5000	69101231	MJ20380-01000-5.0M-Black	69101330	
5500	69101232	MJ20380-01000-5.5M-Black	69101331	
6000	69101233	MJ20380-01000-6.0M-Black	69101332	

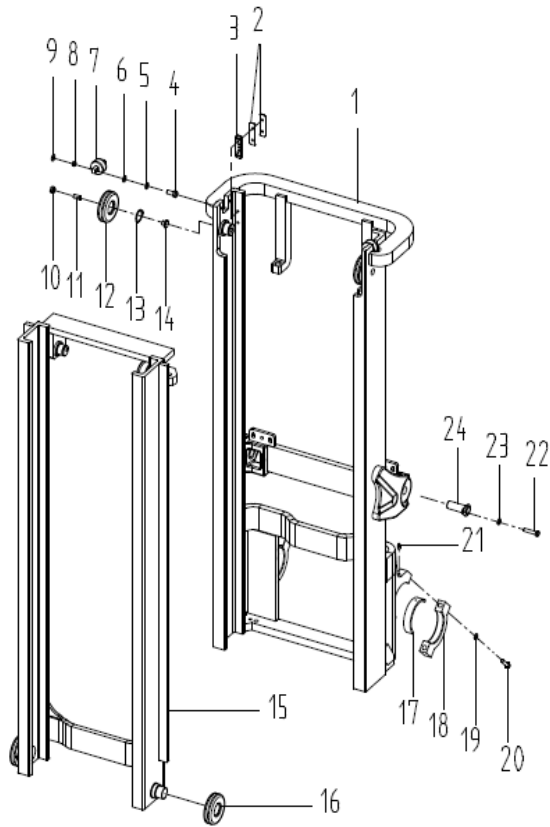




图101/Fig101.

门架(基本型)/MAST (NORMAL MAST)

FD25-40(T)



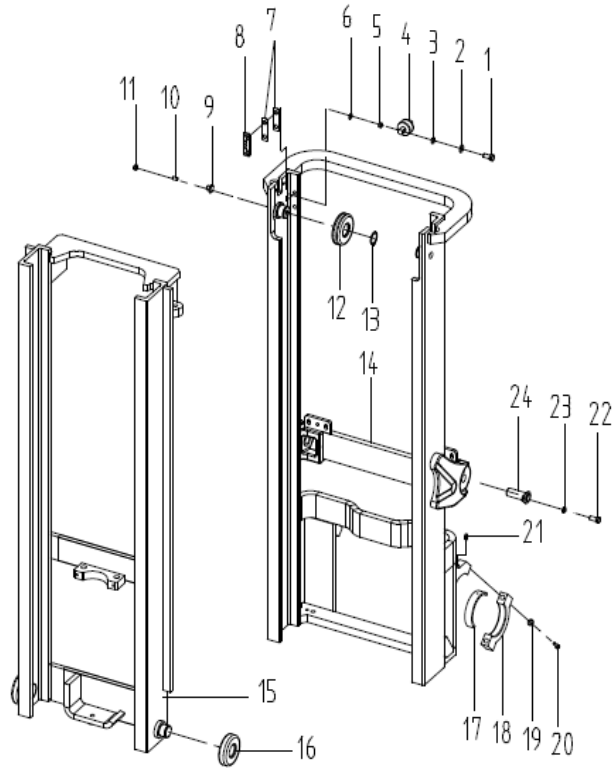
内门架选用表 Inner Mast Optional Parts

LENGTH	ID No.	PART NO.	ID No.	REMARKS OR SERIAL NO.
		3.5t		
3000	69101435	MJ35380-02000-3.0M-Black	69101532	标准
3300	69101436	MJ35380-02000-3.3M-Black	69101533	
3500	69101437	MJ35380-02000-3.5M-Black	69101534	
3700	69101439	MJ35380-02000-3.7M-Black	69101535	
4000	69101440	MJ35380-02000-4.0M-Black	69101536	
4500	69101442	MJ35380-02000-4.5M-Black	69101537	
5000	69101444	MJ35380-02000-5.0M-Black	69101539	
5500	69101445	MJ35380-02000-5.5M-Black	69101540	
6000	69101446	MJ35380-02000-6.0M-Black	69101541	

图102/Fig102.

门架(二级全自由)/MAST(FULL FREE 2-STAGE MAST)

FD25-38(T)

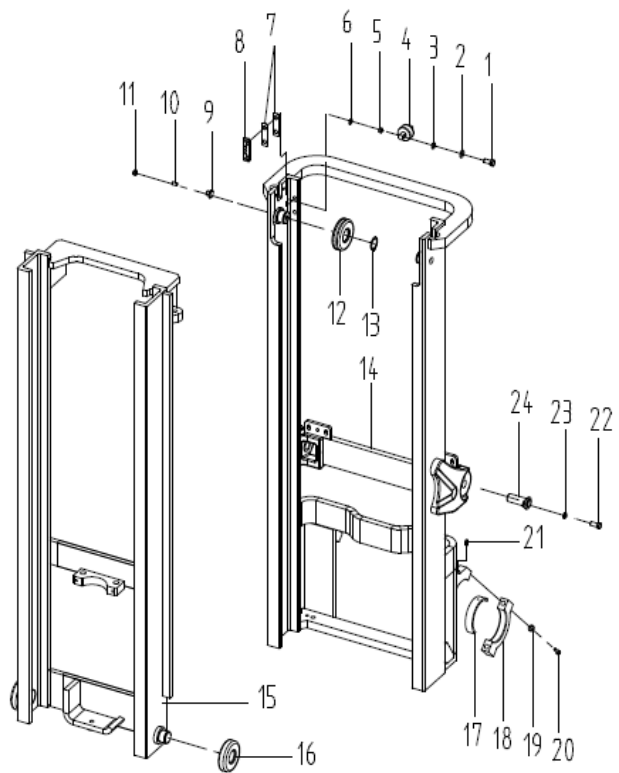


序号	物料代码	代号	名称	数量	备注
Item No.	ID RUMBER	Part No.	Description	Q'ty	Remark
1	69024917	GB/T5786-M10*1.25*45-8.8J	Bolt M10×1.25×45	4	
2	69000053	GB/T93-10	Washer 10	4	
3	69000250	GB/T97.1-10	Washer 10	4	
4	69021881	M3038010000	Side roller C2-5	2	
5	69068137	M3038000012/18	Washer	4	
6	69012066	M3038000006/0.5	Adjusting Washer II	2组	
7	69009498	M3038000004/0.5	Adjusting Washer	AR	
8	69034185	A30480-00001	Slide block	2	
9	69012654	M3038000010	Adjusting Washer	2	
10	69021681	GB/T79-M10*1*45	Screw M10×1×45	2	
11	69011485	GB/T6171-M10*1-8J	Nut M10×1	2	
12	69002362	M3038008000	Single roller 130309KT	2	
13	69000071	GB/T894.1-Φ45	Axis circlip 45	2	
14	N/A	MJ20382-01000	Outer mast ass'y	1	2.5t AS NEEDED
-	N/A	MJ30382-01000	Outer mast ass'y	1	3t AS NEEDED
-	N/A	MJ35382-01000	Outer mast ass'y	1	3.5-3.8t AS NEEDED
15	N/A	MJ20382-02000	Inner mast ass'y	1	2.5t AS NEEDED
-	N/A	MJ30382-02000	Inner mast ass'y	1	3t AS NEEDED
-	N/A	MJ35382-02000	Inner mast ass'y	1	3.5-3.8t AS NEEDED
16	69021690	M3038007000	Combination roller 760311NT	2	
17	69012068	M3038000002	Bearing liner	2	
18	69004874	M3038000001	Bearing cap	2	
19	69000056	GB/T93-16	Washer 16	4	
20	69042802	GB/T5785-M16*1.5*70-8.8J	Bolt M16×1.5×70	4	
21	69003941	JB/T7940.1-M10*1	Oil cup M10×1	2	

图102/Fig102.

门架(二级全自由)/MAST(FULL FREE 2-STAGE MAST)

FD25-38 (T)



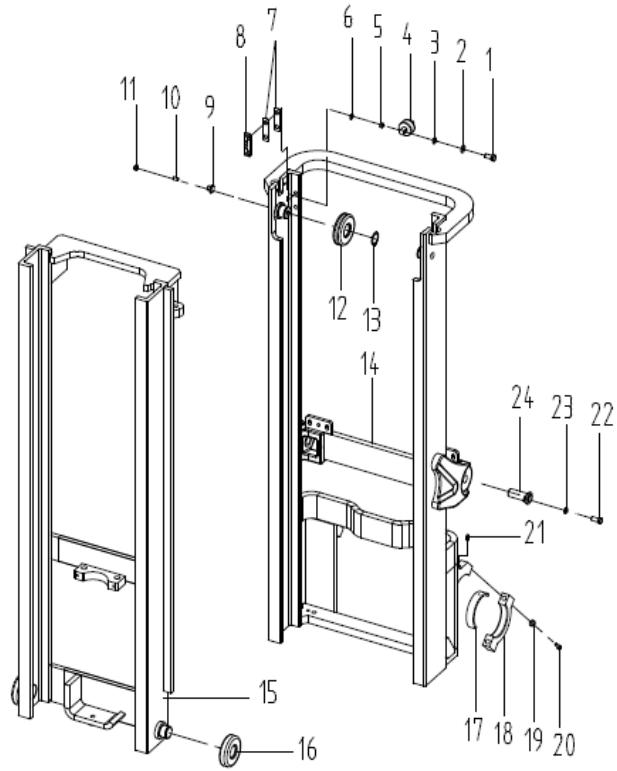
序号	物料代码	代号	名称	数量	备注
Item No.	ID NUMBER	Part No.	Description	Q'ty	Remark
22	69000123	GB/T5783-M10*20-8.8J	Bolt M10×20	2	
23	69000053	GB/T93-10	Washer 10	2	
24	69034183	A30480-04000	Pin shaft	2	



图102/Fig102.

门架(二级全自由)/MAST(FULL FREE 2-STAGE MAST)

FD25-38(T)



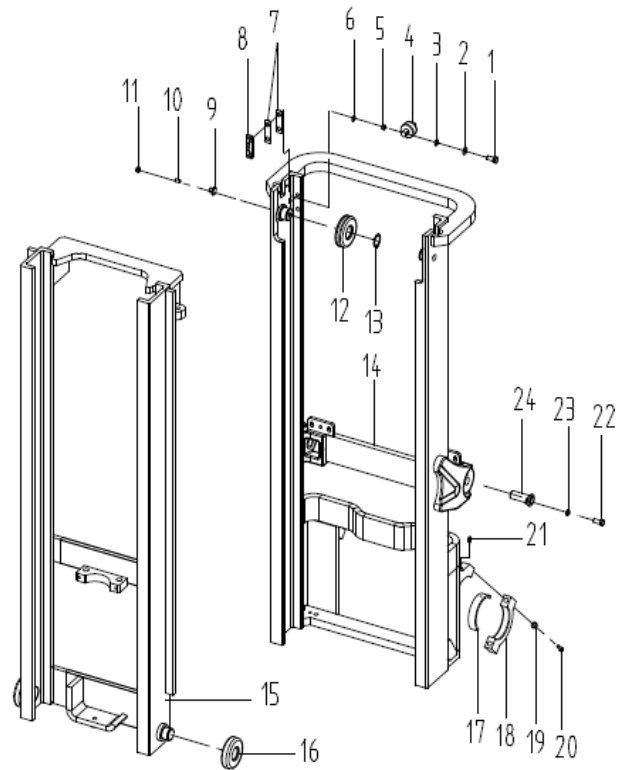
外门架选用表 Out Mast Optional Parts

LENGTH	ID No.	PART NO.	ID No.	REMARKS OR SERIAL NO.
		2.5t		
3000	69101264	MJ20382-01000-3.0M-Black	69108739	
3300	69101265	MJ20382-01000-3.3M-Black	69101364	
3500	69101266	MJ20382-01000-3.5M-Black	69101365	
3700	69101267	MJ20382-01000-3.7M-Black	69101366	
4000	69101268	MJ20382-01000-4.0M-Black	69101367	
4500	69101269	MJ20382-01000-4.5M-Black	69101368	
5000	69101270	MJ20382-01000-5.0M-Black	69101369	
5500	69101271	MJ20382-01000-5.5M-Black	69101370	
6000	69101272	MJ20382-01000-6.0M-Black	69101371	

图102/Fig102.

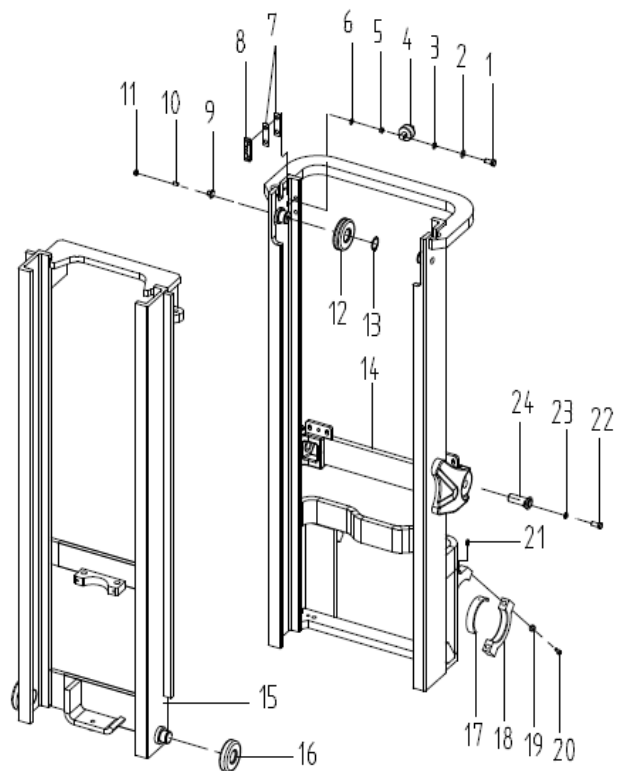
门架(二级全自由)/MAST(FULL FREE 2-STAGE MAST)

FD25-38(T)



外门架选用表 Out Mast Optional Parts

LENGTH	ID No.	PART NO.	REMARKS OR SERIAL NO.
		3.5-3.8t	
3000	69108752	MJ35382-01000-3.0M-Black	
3300	69108753	MJ35382-01000-3.3M-Black	
3500	69108754	MJ35382-01000-3.5M-Black	
3700	69101465	MJ35382-01000-3.7M-Black	
4000	69101466	MJ35382-01000-4.0M-Black	
4500	69101467	MJ35382-01000-4.5M-Black	
5000	69101468	MJ35382-01000-5.0M-Black	
5500	69101471	MJ35382-01000-5.5M-Black	
6000	69101472	MJ35382-01000-6.0M-Black	



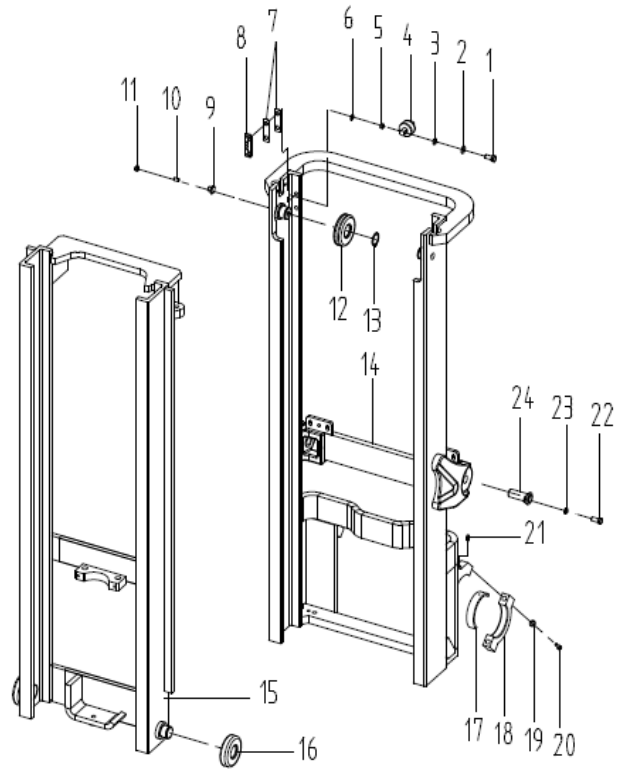
内门架选用表 Inner Mast Optional Parts

LENGTH	ID No.	PART NO.	ID No.	REMARKS OR SERIAL NO.
		2.5t		
3000	69101273	MJ20382-02000-3.0M-Black	69101372	
3300	69101274	MJ20382-02000-3.3M-Black	69101373	
3500	69101275	MJ20382-02000-3.5M-Black	69101374	
3700	69101276	MJ20382-02000-3.7M-Black	69101375	
4000	69101277	MJ20382-02000-4.0M-Black	69101376	
4500	69101278	MJ20382-02000-4.5M-Black	69101377	
5000	69101279	MJ20382-02000-5.0M-Black	69101378	
5500	69101280	MJ20382-02000-5.5M-Black	69101379	
6000	69101281	MJ20382-02000-6.0M-Black	69101380	

图102/Fig102.

门架(二级全自由)/ MAST (FULL FREE 2-STAGE MAST)

FD25-38(T)



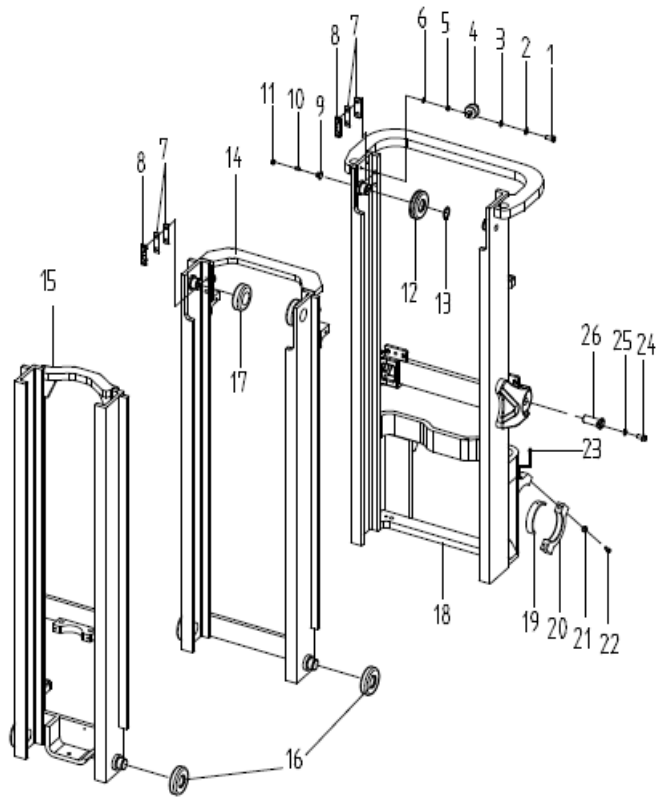
内门架选用表 Inner Mast Optional Parts

LENGTH	ID No.	PART NO.	REMARKS OR SERIAL NO.
		3.5-3.8t	
3000	69101473	MJ35382-02000-3.0M-Black	
3300	69101474	MJ35382-02000-3.3M-Black	
3500	69101475	MJ35382-02000-3.5M-Black	
3700	69101476	MJ35382-02000-3.7M-Black	
4000	69101477	MJ35382-02000-4.0M-Black	
4500	69101478	MJ35382-02000-4.5M-Black	
5000	69101479	MJ35382-02000-5.0M-Black	
5500	69101480	MJ35382-02000-5.5M-Black	
6000	69101481	MJ35382-02000-6.0M-Black	

图103/Fig103.

门架(三级全自由)/MAST(FULL FREE 3-STAGE MAST)

FD25-40(T)

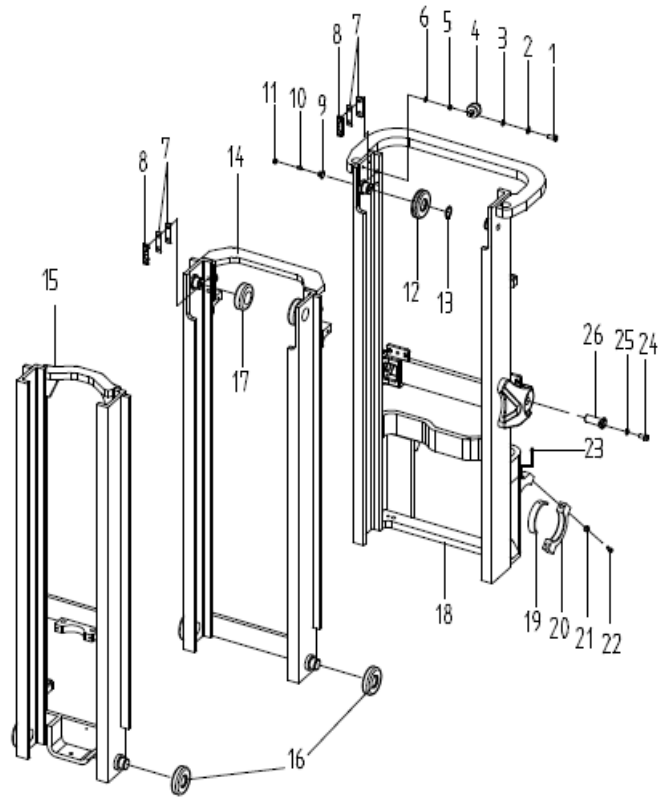


序号	物料代码	代号	名称	数量	备注
Item No.	ID NUMBER	Part No.	Description	Q'ty	Remark
1	69024917	GB/T5786-M10*1.25*45-8.8J	Bolt M10×1.25×45	4	
2	69000053	GB/T93-10	Washer 10	4	
3	69000250	GB/T97.1-10	Washer 10	4	
4	69021881	M3038010000	Side roller C2-5	2	
5	69068137	M3038000012/18	Adjusting Washer	2组	
6	69012066	M3038000006/0.5	Adjusting Washer II	2组	
7	69009498	M3038000004/0.5	Adjusting Washer	4组	
8	69034185	A30480-00001	Slide block	2	
9	69012654	M3038000010	Adjusting Washer	2	
10	69021681	GB/T79-M10*1*45	Screw M10×1×45	2	
11	69011485	GB/T6171-M10*1-8J	Nut M10×1	2	
12	69002362	M3038008000	Single roller 130309KT	2	
13	69000071	GB/T894.1-Φ45	Snap ring 45	2	
14	N/A	A20484-04000	Middle mast ass'y	1	2.5t AS NEEDED
-	N/A	A30484-03000	Middle mast ass'y	1	3t AS NEEDED
-	N/A	A35484-03000	Middle mast ass'y	1	3.5-3.8t AS NEEDED
-	N/A	S40484XLS04000	Middle mast ass'y	1	x4t AS NEEDED
15	N/A	MJ20384-01000	Inner mast ass'y	1	2.5t AS NEEDED
-	N/A	MJ30384-01000	Inner mast ass'y	1	3t AS NEEDED
-	N/A	MJ35384-01000	Inner mast ass'y	1	3.5-3.8t AS NEEDED
-	N/A	MJ40384X-01000	Inner mast ass'y	1	x4t AS NEEDED
16	69021690	M3038007000	Combination roller 760311NT	4	
17	69021689	M30074006000	Combination roller 760211NT	2	
18	N/A	MJ20384-02000	Outer mast ass'y	1	2.5t AS NEEDED
-	N/A	MJ30384-02000	Outer mast ass'y	1	3t AS NEEDED

图103/Fig103.

门架(三级全自由)/MAST (FULL FREE 3-STAGE MAST)

FD25-40(T)

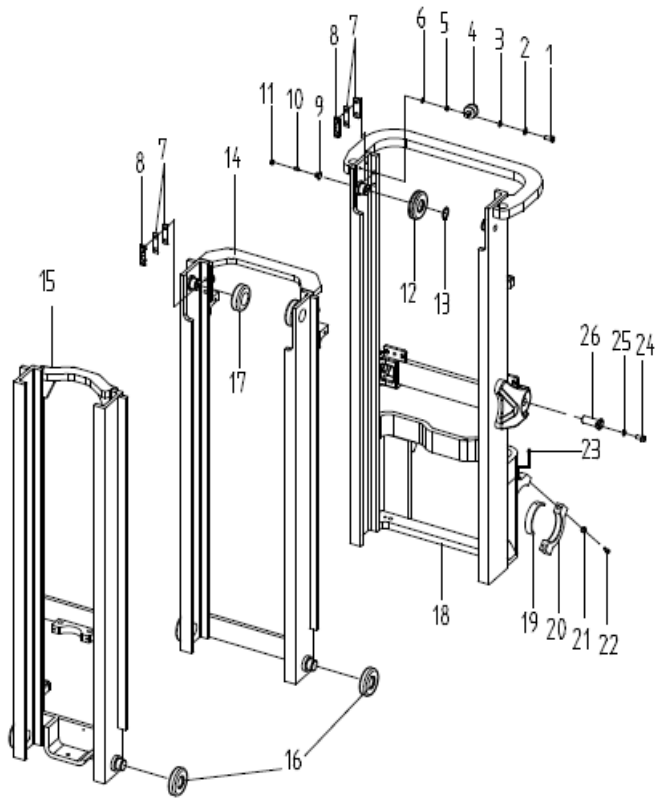


序号	物料代码	代号	名称	数量	备注
Item No.	ID RUMBER	Part No.	Description	Q' ty	Remark
-	N/A	MJ35384-02000	Outer mast ass'y	1	3.5-3.8t AS NEEDED
-	N/A	MJ40384X-02000	Outer mast ass'y	1	x4t AS NEEDED
19	69012068	M3038000002	bearing liner	2	
20	69004874	M3038000001	bearing cap	2	
21	69000056	GB/T93-16	Washer 16	4	
22	69042802	GB/T5785-M16*1.5*70-8.8J	Bolt M16×1.5×70	4	
23	69003941	JB/T7940.1-M10*1	Oil cup M10×1	2	
24	69000123	GB/T5783-M10*20-8.8J	Bolt M10×20	2	
25	69000053	GB/T93-10	Washer 10	2	
26	69034183	A30480-04000	Pin shaft	2	

图103/Fig103.

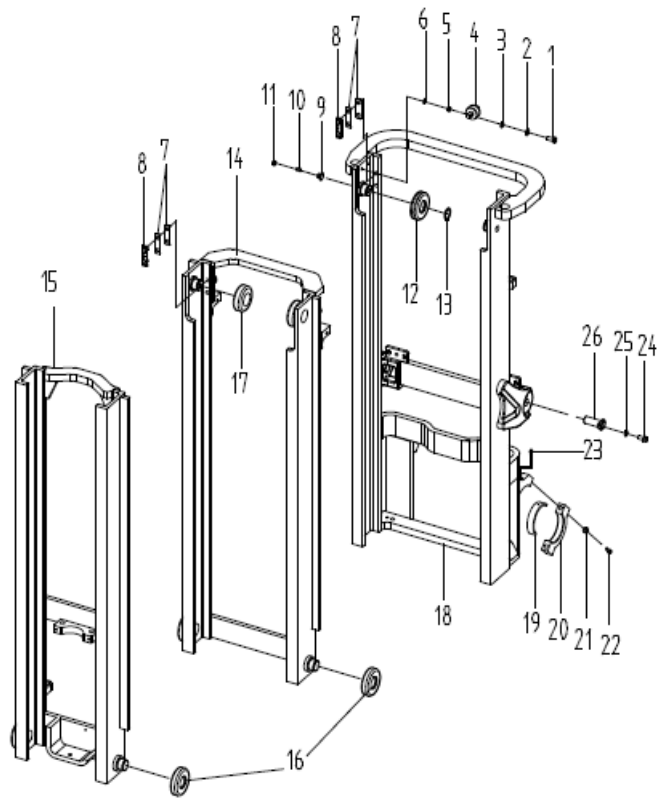
门架(三级全自由)/MAST(FULL FREE 3-STAGE MAST)

FD25-40(T)



外门架选用表 Outer Mast Optional Parts

LENGTH	ID No.	PART NO.		ID No.	REMARKS OR SERIAL NO.
		2.5t			
3600	69101300	MJ20384-02000-3.6M-Black		69101399	
4000	69101301	MJ20384-02000-4.0M-Black		69101400	
4350	69101302	MJ20384-02000-4.35M-Black		69101401	
4500	69101303	MJ20384-02000-4.5M-Black		69101402	
4800	69101304	MJ20384-02000-4.8M-Black		69101403	
5000	69101305	MJ20384-02000-5.0M-Black		69101404	
5400	69101306	MJ20384-02000-5.4M-Black		69101405	
5500	69101307	MJ20384-02000-5.5M-Black		69101406	
6000	69101308	MJ20384-02000-6.0M-Black		69101407	
6500	69106275	MJ20384-02000-6.5M-Black		69106414	



外门架选用表 Outer Mast Optional Parts

LENGTH	ID No.	PART NO.	ID No.	REMARKS OR SERIAL NO.
		3.5t		
3600	69106564	MJ35384-02000-3.6M-Black	69101566	
4000	69106771	MJ35384-02000-4.0M-Black	69101567	
4350	69106685	MJ35384-02000-4.35M-Black	69101568	
4500	69106627	MJ35384-02000-4.5M-Black	69101569	
4800	69106629	MJ35384-02000-4.8M-Black	69101570	
5000	69106802	MJ35384-02000-5.0M-Black	69101571	
5400	69106777	MJ35384-02000-5.4M-Black	69101572	
5500	69106783	MJ35384-02000-5.5M-Black	69101573	
6000	69106830	MJ35384-02000-6.0M-Black	69101574	
6500	69106803	MJ35384-02000-6.5M-Black	69107720	







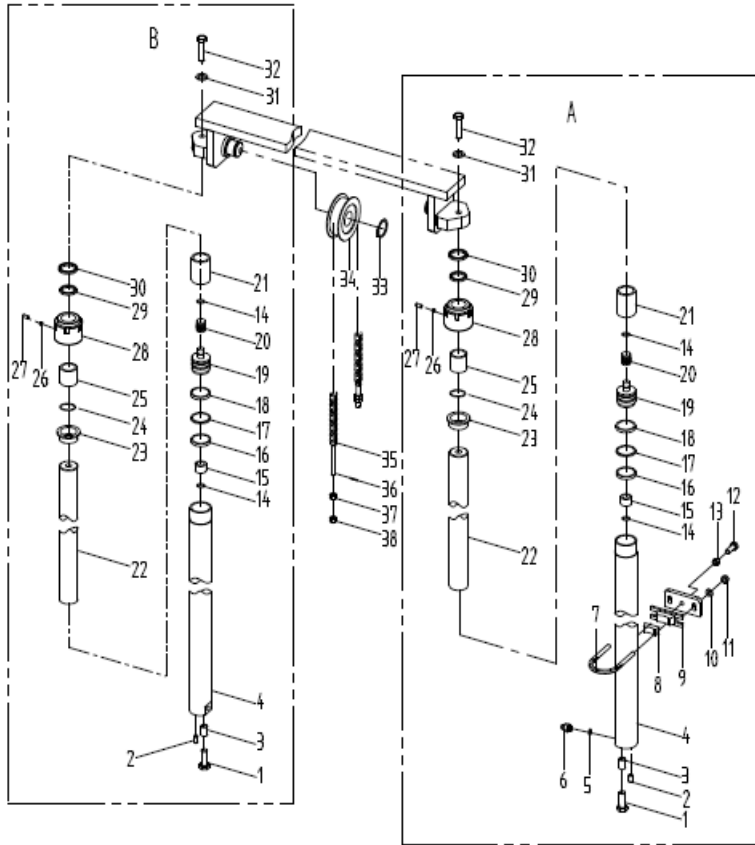




图104/FIG104.

起升油缸(基本型)/LIFT CYLINDER(NORMAL MAST)

FD25-40(T)

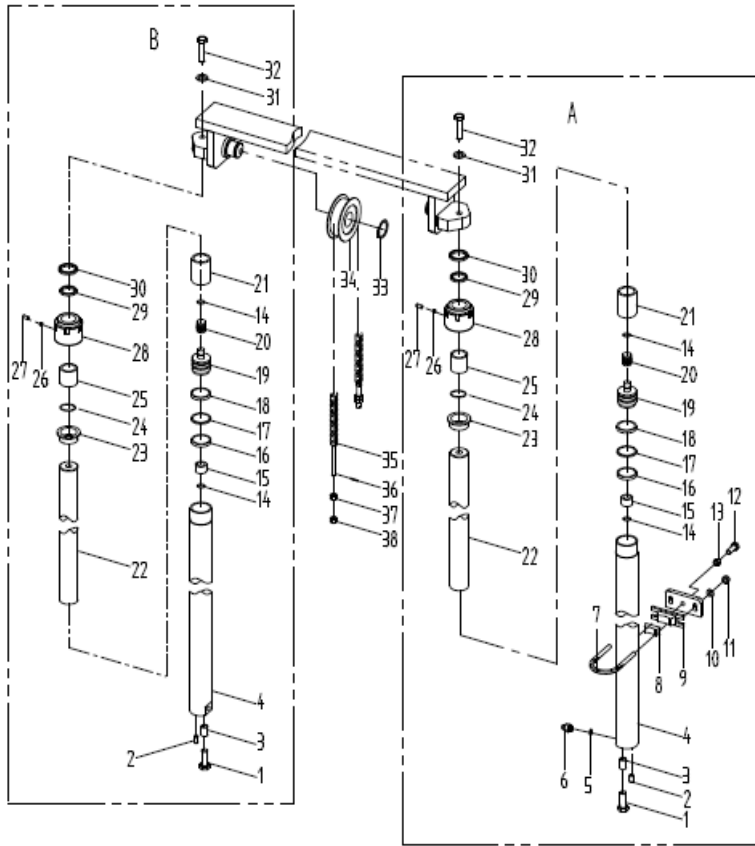


序号	物料代码	代号	名称	数量	备注
Item No.	ID NUMBER	Part No.	Description	Q'ty	Remark
A	N/A	A20480-05000	Lift cylinder (right)	1	2.5t
-	N/A	A30480-06000	Lift cylinder (right)	1	3t
-	N/A	A35480-04000	Lift cylinder (right)	1	3.5-x4t
B	N/A	A20480-06000	Lift cylinder (left)	1	2.5t
-	N/A	A30480-07000	Lift cylinder (left)	1	3t
-	N/A	A35480-05000	Lift cylinder (left)	1	3.5-x4t
1	69000137	GB/T5786-M12*1.25*25-8.8J	Bolt M12×1.25×25	2	
2	69135381	A20480-05012	Cylindrical pin 10×25	2	
3	69000054	GB/T93-12	Washer 12	2	
4	N/A	Max202J01A-100	Cylinder body	2	2.5t NSS
-	N/A	Max302J01A-100	Cylinder body	2	3t NSS
-	N/A	Max352J01A-100	Cylinder body	2	3.5-x4t NSS
5	69124131	GB1235-22*2.4-G	O-ring 22×2.4	1	2.5-3t
-	69124132	GB1235-30*3.5-G	O-ring 30×3.5	1	3.5-x4t
6	69135383	A20480-05100	Safety valve	1	2.5t
-	69135455	A30480-06100	Safety valve	1	3t
-	69135512	A35480-04100	Safety valve	1	3.5-x4t
7	69006791	M3038000007	Hoop	2	2.5-3t
-	69009408	M3538000001	Hoop	2	3.5-x4t
8	69012173	M3038000008	Rubber sleeve	2	2.5-3t
-	69012173	M3038000008	Rubber sleeve	2	3.5-x4t
9	69012171	M3038009000	Hoop seat	2	2.5-3t
-	69012170	M3538000002	Hoop seat	2	3.5-x4t
10	69000250	GB/T97.1-10	Washer 10	4	
11	69000313	GB/T6171-M10*1.25-8J	Nut M10×1.25	4	

图104/FIG104.

起升油缸(基本型)/LIFT CYLINDER(NORMAL MAST)

FD25-40(T)

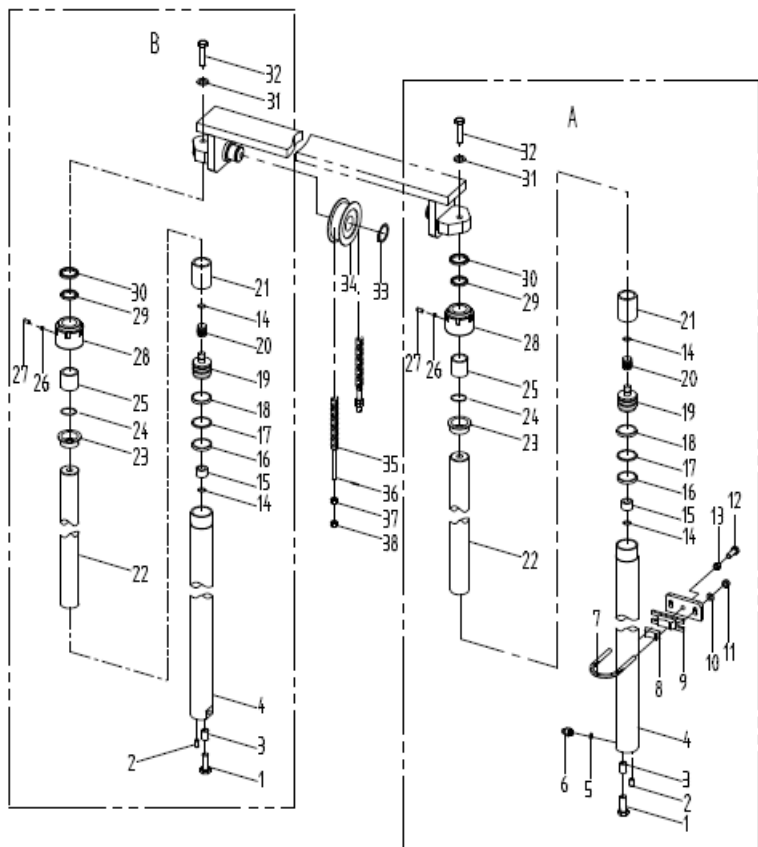


序号	物料代码	代号	名称	数量	备注
Item No.	ID NUMBER	Part No.	Description	Q'ty	Remark
12	69000140	GB/T5786-M12*1.25*45-8.8J	Bolt M12×1.25×45	2	
13	69000314	GB/T6171-M12*1.25-8J	Nut M12×1.25	2	
14	69130898	GB/T895.1-30	Steel wire snap ring 30	4	2.5-3t
-	69133213	M452J01-5	Steel wire snap ring 35	4	3.5-x4t
15	69135447	A30480-06007	Sleeve	2	2.5-3t
-	69135502	A35480-04006	Sleeve	2	3.5-x4t
16	69135377	A20480-05008	Orifice seal 50×40×6	2	2.5t
-	69135450	A30480-06010	Orifice seal 56×45×7	2	3t
-	69135507	A35480-04011	Orifice seal 63×53×6	2	3.5-x4t
17	69135376	A20480-05007	Snap ring Φ50×Φ40×3	2	2.5t
-	69135449	A30480-06009	Snap ring Φ56×Φ45×3	2	3t
-	69135506	A35480-04010	Snap ring Φ63×Φ53×3	2	3.5-x4t
18	69135375	A20480-05006	Orifice bearing ring D50×8×2.5	2	2.5t
-	69135448	A30480-06008	Orifice bearing ring D56×8×2.5	2	3t
-	69135505	A35480-04009	Orifice bearing ring D63×20×2.5	2	3.5-x4t
19	69135374	A20480-05005	Piston	2	2.5t
-	69135445	A30480-06005	Piston	2	3t
-	69135504	A35480-04008	Piston	2	3.5-x4t
20	69135384	A20480-05200	One-way valve	2	
21	69136811	TLC-20T11	Spacer Φ40×50	按需	2.5t
-	69136812	TLC-30T18	Spacer Φ45×50	按需	3t
-	69135503	A35480-04007	Spacer Φ50×50	按需	3.5-x4t
22	N/A	Max202J01-1	Piston Rod	2	2.5t NSS
-	N/A	Max302J01-1	Piston Rod	2	3t NSS
-	N/A	Max352J01-1	Piston Rod	2	3.5-x4t NSS

图104/FIG104.

起升油缸(基本型)/LIFT CYLINDER(NORMAL MAST)

FD25-40(T)



序号	物料代码	代号	名称	数量	备注
Item No.	ID RUMBER	Part No.	Description	Q' ty	Remark
23	69135373	A20480-05004	Bushing	2	2.5t
-	69135444	A30480-06004	Bushing	2	3t
-	69135500	A35480-04004	Bushing	2	3.5-x4t
24	69024340	GB1235-60*3.1	O-ring 60×3.1	2	2.5t
-	69009541	LS9541	O-ring 68×3.1	2	3t
-	69018828	GB/T1235-75*3.1	O-ring 75×3.1	2	3.5-x4t
25	69135380	A20480-05011	Bushing bearing 40×44×30	2	2.5t
-	69135453	A30480-06013	Bushing bearing 45×50×30	2	3t
-	69135510	A35480-04014	Bushing bearing 50×55×40	2	3.5-x4t
26	69135454	A30480-06014	Nylon pad Φ6×3	2	
27	69008637	GB/T77-M8*8-12.9J	Screw M8×8	2	2.5-3t
-	69094109	GB/T73-1985	Screw M8×6	2	3.5-x4t
28	69135372	A20480-05003	Cylinder cap	2	2.5t
-	69135443	A30480-06003	Cylinder cap	2	3t
-	69135481	A35480-04001	Cylinder cap	2	3.5-x4t
29	69135378	A20480-05009	Axis seal 40×50×7	2	2.5t
-	69135451	A30480-06011	Axis seal 45×55×7	2	3t
-	69135508	A35480-04012	Axis seal 50×60×7	2	3.5-x4t
30	69135379	A20480-05010	Dust-proof seal ring 40×52×7/10	2	2.5t
-	69135452	A30480-06012	Dust-proof seal ring 45×57×7/10	2	3t
-	69135509	A35480-04013	Dust-proof seal ring 50×62×7/10	2	3.5-x4t
31	69000053	GB/T93-10	Washer 16	2	
32	69020214	GB/T5786-M16*1.5*40-8.8J	Bolt M16×1.5×40	2	
33	69000070	GB/T894.1-Φ40	Axis circlip 40	2	
34	69018464	M30074008000	Chain roller 780708H	2	2.5-3t













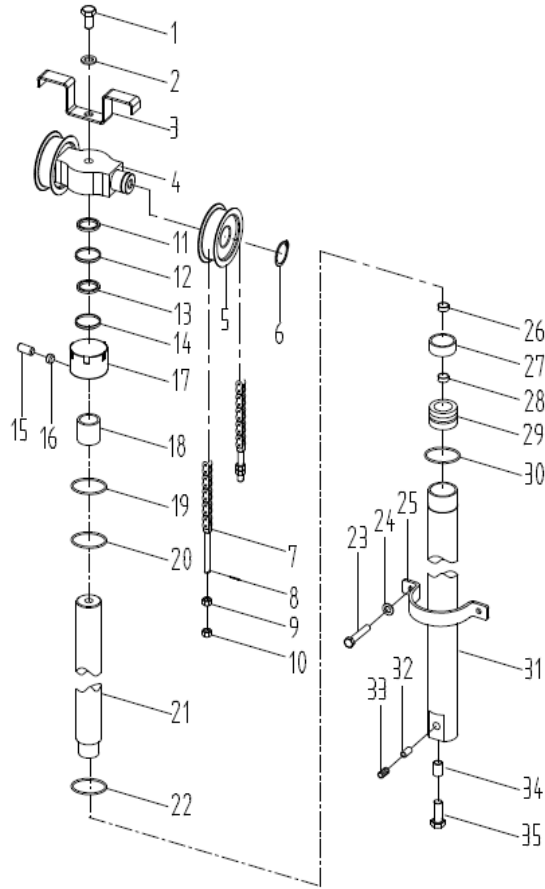




图105/FIG105.

前起升油缸(二级全自由)/FRONT LIFT CYLINDER(FULL FREE 2-STAGE MAST)

FD25-38(T)

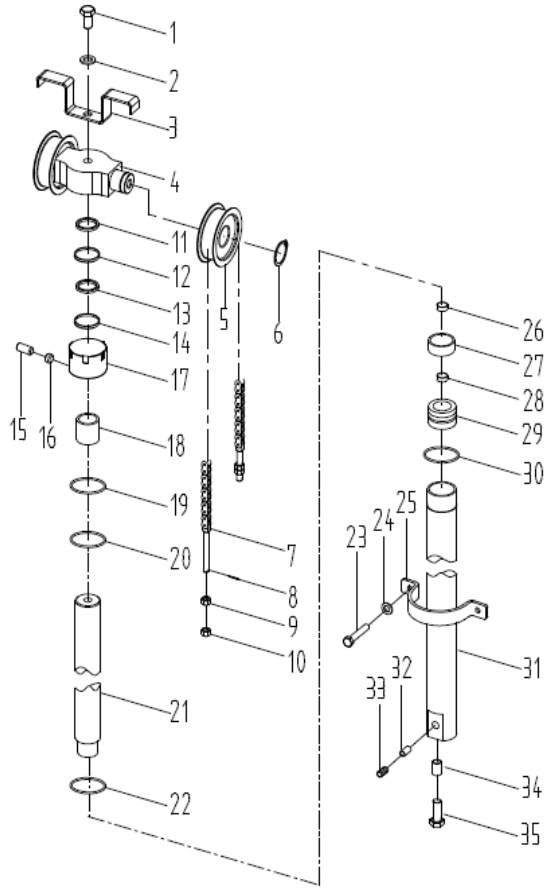


序号	物料代码	代号	名称	数量	备注
Item No.	ID NUMBER	Part No.	Description	Q'ty	Remark
A	N/A	MJ20382-03000	Front lift cylinder	1	2.5t
-	N/A	MJ30382-03000	Front lift cylinder	1	3t
-	N/A	MJ35382-03000	Front lift cylinder	1	3.5-3.8t
1	69000175	GB/T5782-M16*75-8.8J	Bolt M16×75	1	
2	69000056	GB/T93-16	Washer 16	1	
3	69106552	M30074000003-Black	Chain protector	1	2.5-3t
-	69106434	M35043000003-Black	Chain protector	1	3.5-3.8t
4	69087535	MJ30384-00002	Cylinder head	1	2.5-3t
-	69106432	MJ35382-00001-Black	Cylinder head	1	3.5-3.8t
5	69018464	M30074008000	Chain roller 780708H	2	2.5-3t
-	69007748	M3538006000	Chain roller A60309	2	3.5-3.8t
6	69000070	GB/T894.1-Φ40	Axis circlip 40	2	
7	N/A	M20043001000	Chain ass'y LH1234	2	2.5t AS NEEDED
-	N/A	M30043001000	Chain ass'y LH1623	2	3t AS NEEDED
-	N/A	M35043001000	Chain ass'y LH1634	2	3.5-3.8t AS NEEDED
8	69017915	GB/T91-3.2*40	Cotter pin 3.2×40	4	
9	69107732	M3038001001	Nut M18×1.5	4	2.5-3t
-	69012580	M3538001001	Nut M22×1.5	4	3.5-3.8t
10	69000004	GB/T6171-M18*1.5-8J	Nut M18×1.5	4	2.5-3t
-	69136816	GB/T6171-2000-M22*1.5	Nut M22×1.5	4	3.5-3.8t
11	69135666	MJ20384-03010	Dust-proof seal 60×74×8/11	1	2.5t
-	69135711	MJ30384-03010	Dust-proof seal 70×84×8/11	1	3t
-	69135739	MJ35382-03009	Dust-proof seal 75×89×8/11	1	3.5-3.8t
12	69135662	MJ20384-03006	Snap ring d70×φ60×3	1	2.5t
-	69135707	MJ30384-03006	Snap ring d80×φ70×3	1	3t

图105/FIG105.

前起升油缸(二级全自由)/FRONT LIFT CYLINDER(FULL FREE 2-STAGE MAST)

FD25-38(T)



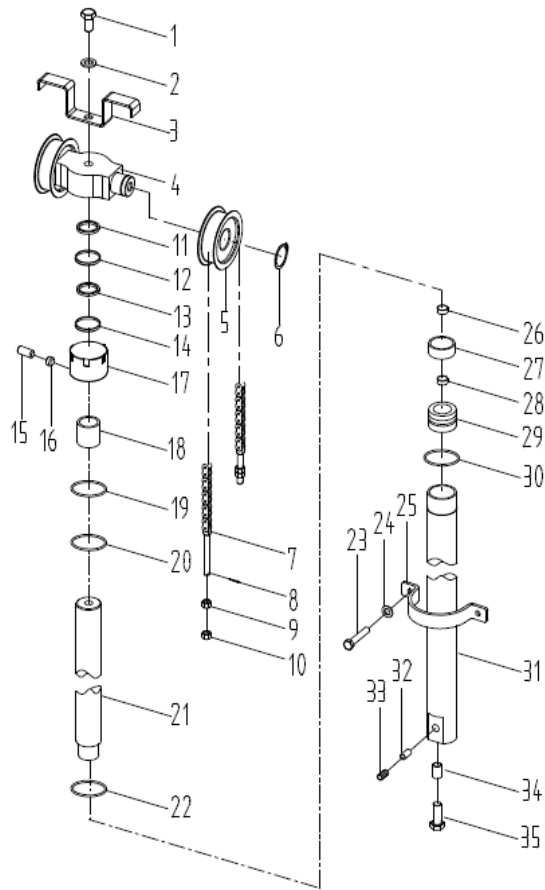
序号	物料代码	代号	名称	数量	备注
Item No.	ID NUMBER	Part No.	Description	Q'ty	Remark
-	69135708	MJ30384-03007	Snap ring d85×Φ75×3	1	3.5-3.8t
13	69135664	MJ20384-03008	Axis seal 60×70×6	1	2.5t
-	69135709	MJ30384-03008	Axis seal 70×80×6	1	3t
-	69135737	MJ35382-03007	Axis seal 75×85×6	1	3.5-3.8t
14	69018609	LS18609	O-ring 80×3.1	1	2.5t
-	69009551	GB/T1235-90*3.1	O-ring 90×3.1	1	3t
-	69136817	GB1235-76-100*3.1	O-ring 100×3.1	1	3.5-3.8t
15	69094106	GB/T80-1985	Stop bolt M6×5	1	
16	69040793	JB982-6	Compound gasket 6	1	
17	69135659	MJ20384-03003	Guiding sleeve	1	2.5t
-	69135704	MJ30384-03003	Guiding sleeve	1	3t
-	69135733	MJ35382-03003	Guiding sleeve	1	3.5-3.8t
18	69135667	MJ20384-03011	Bushing bearing 60×65×45	1	2.5t
-	69135712	MJ30384-03011	Bushing bearing 70×75×45	1	3t
-	69135740	MJ35382-03010	Bushing bearing 75×80×45	1	3.5-3.8t
19	69135663	MJ20384-03007	Snap ring d75×Φ65×3	1	2.5t
-	69135708	MJ30384-03007	Snap ring d85×Φ75×3	1	3t
-	69135736	MJ35382-03006	Snap ring d95×Φ80×3	1	3.5-3.8t
20	69018828	GB/T1235-75*3.1	O-ring 75×3.1	1	2.5t
-	69023228	LS23228	O-ring 85×3.1	1	3t
-	69016275	GB/T1235-95*3.1	O-ring 95×3.1	1	3.5-3.8t
21	N/A	Max202J05B-1	Piston Rod	1	2.5t NSS
-	N/A	Max302J05B-1	Piston Rod	1	3t NSS
-	N/A	Max352J05B-1	Piston Rod	1	3.5-3.8t NSS
22	69135661	MJ20384-03005	Orifice bearing ring D75×20×2.5	2	2.5t



图105/FIG105.

前起升油缸(二级全自由)/FRONT LIFT CYLINDER(FULL FREE 2-STAGE MAST)

FD25-38(T)



序号	物料代码	代号	名称	数量	备注
Item No.	ID RUMBER	Part No.	Description	Q' ty	Remark
-	69135706	MJ30384-03005	Orifice bearing ring D85×20×2.5	2	3t
-	69135735	MJ35382-03005	Orifice bearing ring D95×20×2.5	2	3.5-3.8t
23	69011769	GB/T5785-M10*1.25*20-8.8J	Bolt M10×1.25×20	2	
24	69000053	GB/T93-10	Washer 10	2	
25	69112410	MJ20384-00001-Black	U-Hoop	1	2.5t
-	69106554	MJ30384-00001-Black	U-Hoop	1	3t
-	69106433	MJ35382-00002-Black	U-Hoop	1	3.5-3.8t
26	69135669	MJ20384-03013	Steel wire snap ring d40	1	
27	69135714	MJ30384-03200	One-way valve	1	
28	69084487	GB/T893.1-Φ22	Orifice snap spring 22	1	
29	69135660	MJ20384-03004	Plunger		2.5t
-	69135705	MJ30384-03004	Plunger		3t
-	69135734	MJ35382-03004	Plunger		3.5-3.8t
30	69135665	MJ20384-03009	Orifice seal 75×65×6	2	2.5t
-	69135710	MJ30384-03009	Orifice seal 85×75×6	2	3t
-	69135738	MJ35382-03008	Orifice seal 95×80×9	2	3.5-3.8t
31	N/A	Max202J05B-100	Cylinder body	1	2.5t NSS
-	N/A	Max302J05B-100	Cylinder body	1	3t NSS
-	N/A	Max352J05B-100	Cylinder body	1	3.5-3.8t NSS
32	69124144	GB/T3452.1-19*2.65-G	O-ring 19×2.65	1	
33	69135713	MJ30384-03100	Sliding valve	1	2.5-3t
34	69000054	GB/T93-12	Washer 12	2	
35	69000138	GB/T5786-M12*1.25*35-8.8J	Bolt M12×1.25×35	1	



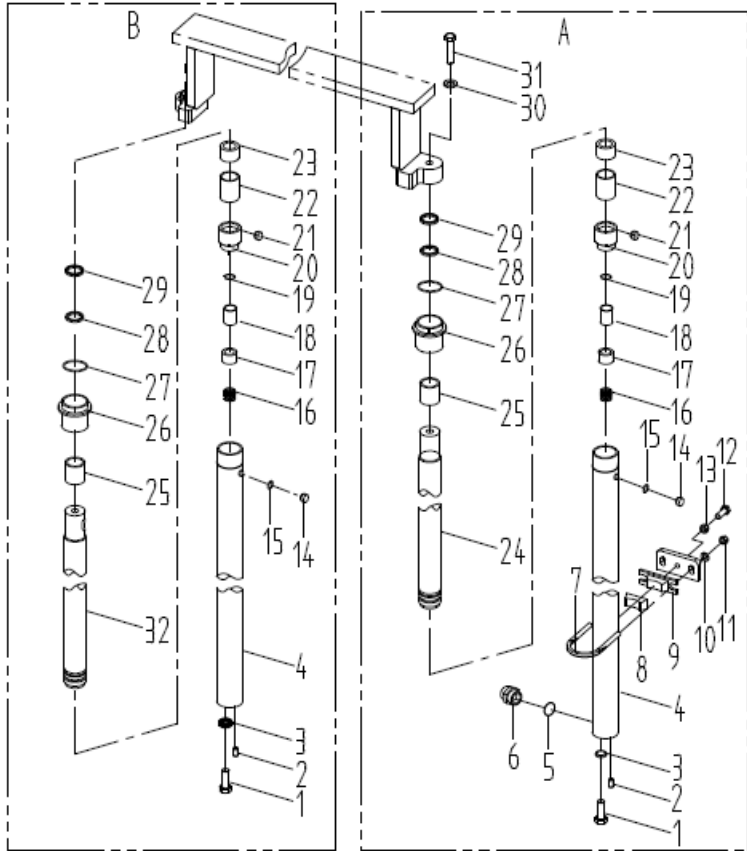




图106/FIG106.

后起升油缸(二级全自由)/REAR LIFT CYLINDER(FULL FREE 2-STAGE MAST)

FD25-38 (T)

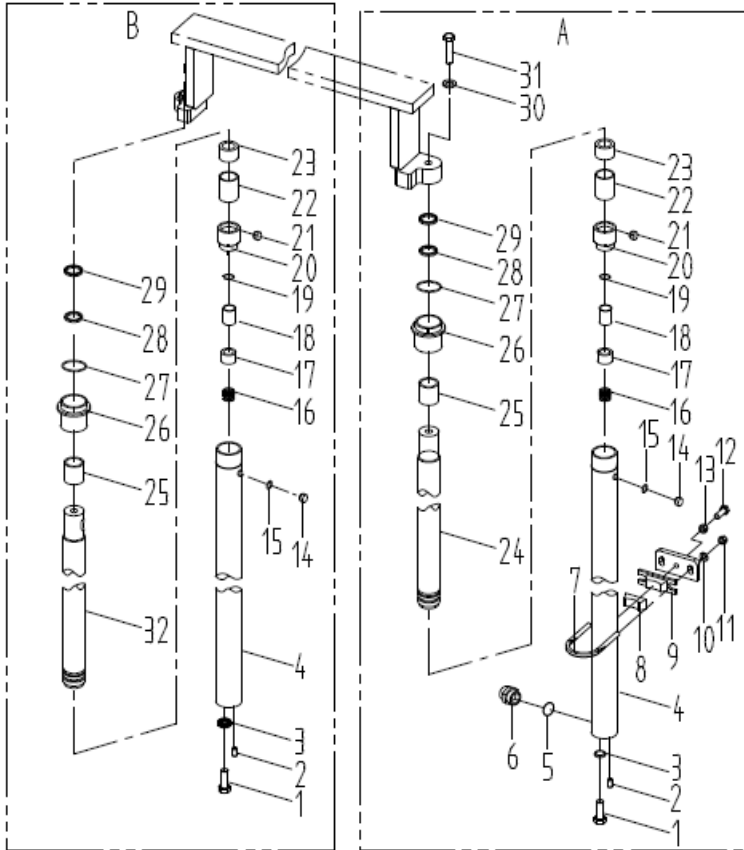


序号	物料代码	代号	名称	数量	备注
Item No.	ID NUMBER	Part No.	Description	Q'ty	Remark
A	N/A	M20043005000	Lift cylinder (right)	1	2.5t
-	N/A	M30043006000	Lift cylinder (right)	1	3t
-	N/A	M35043005000	Lift cylinder (right)	1	3.5-3.8t
B	N/A	M20043006000	Lift cylinder (left)	1	2.5t
-	N/A	M30043005000	Lift cylinder (left)	1	3t
-	N/A	M35043006000	Lift cylinder (left)	1	3.5-3.8t
1	69000137	GB/T5786-M12*1.25*25-8.8J	Bolt M12×1.25×25	2	
2	69135381	A20480-05012	Cylindrical pin 10×25	2	
3	69000054	GB/T93-12	Washer 12	2	
4	N/A	Max202J03-100	Cylinder body	2	2.5t NSS
-	N/A	Max302J03-100	Cylinder body	2	3t NSS
-	N/A	Max352J03-100	Cylinder body	2	3.5-3.8t NSS
5	69017923	GB/T1235-22*2.4	O-ring 22×2.4	1	
6	69135383	A20480-05100	Safety valve	1	2.5-3t
-	69135455	A30480-06100	Safety valve	1	3.5-3.8t
7	69006791	M3038000007	Hoop	2	
8	69012173	M3038000008	Rubber sleeve	2	
9	69012171	M3038009000	Hoop seat	2	
10	69000250	GB/T97.1-10	Washer 10	4	
11	69000313	GB/T6171-M10*1.25-8J	Nut M10×1.25	4	
12	69000140	GB/T5786-M12*1.25*45-8.8J	Bolt M12×1.25×45	2	
13	69000314	GB/T6171-M12*1.25-8J	Nut M12×1.25	2	
14	69135575	M30043005010	Deflation plug M8	2	
15	69010797	JB982-8	Combination gasket 8	2	
16	69135577	M30043005012	Spring	2	2.5-3t

图106/FIG106.

后起升油缸(二级全自由)/REAR LIFT CYLINDER(FULL FREE 2-STAGE MAST)

FD25-38(T)



序号	物料代码	代号	名称	数量	备注
Item No.	ID NUMBER	Part No.	Description	Q'ty	Remark
-	69135615	M35043005013	Spring	2	3.5-3.8t
17	69135572	M30043005007	Sleeve	2	2.5-3t
-	69135610	M35043005008	Sleeve	2	3.5-3.8t
18	69135571	M30043005006	Buffering plunger	2	2.5-3t
-	69135609	M35043005007	Buffering plunger	2	3.5-3.8t
19	69136818	GB895.2-86	Axis steel wire snap ring 18	2	2.5-3t
-	69136819	GB895.2-86-20	Axis steel wire snap ring 20	2	3.5-3.8t
20	69135548	M20043005004	Piston	2	2.5t
-	69135570	M30043005005	Piston	2	3t
-	69135608	M35043005006	Piston	2	3.5-3.8t
21	69094106	GB/T80-1985	Bolt M5×6	2	
22	69135549	M20043005005	Orifice bearing ring D45×20×2.5	2	2.5t
-	69135573	M30043005008	Orifice bearing ring D50×20×2.5	2	3t
-	69135611	M35043005009	Orifice bearing ring D56×20×2.5	2	3.5-3.8t
23	69136820	TLC-15T18	Spacer Φ35×100	2	2.5t
-	69136821	TLC-20T12	Spacer Φ40×100	2	3t
-	69135607	M35043005005	Spacer Φ45×100	2	3.5-3.8t
24	N/A	Max202J04-1	Piston Rod (right)	1	2.5t NSS
-	N/A	Max302J04-1	Piston Rod (right)	1	3t NSS
-	N/A	Max352J04-1	Piston Rod (right)	1	3.5-3.8t NSS
25	69135423	A30480-05014	Bushing bearing 35×39×30	2	2.5t
-	69135380	A20480-05011	Bushing bearing 40×44×30	2	3t
-	69135453	A30480-06013	Bushing bearing 45×50×30	2	3.5-3.8t
26	69135547	M20043005003	Guiding sleeve	2	2.5t
-	69135569	M30043005003	Guiding sleeve	2	3t







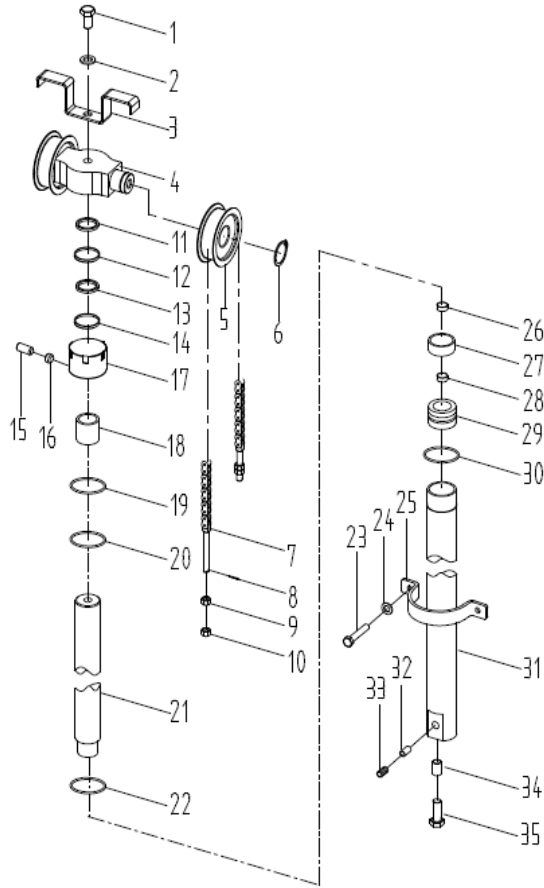




图107/FIG107.

前起升油缸(三级全自由)/FRONT LIFT CYLINDER(FULL FREE 3-STAGE MAST)

FD25-40(T)

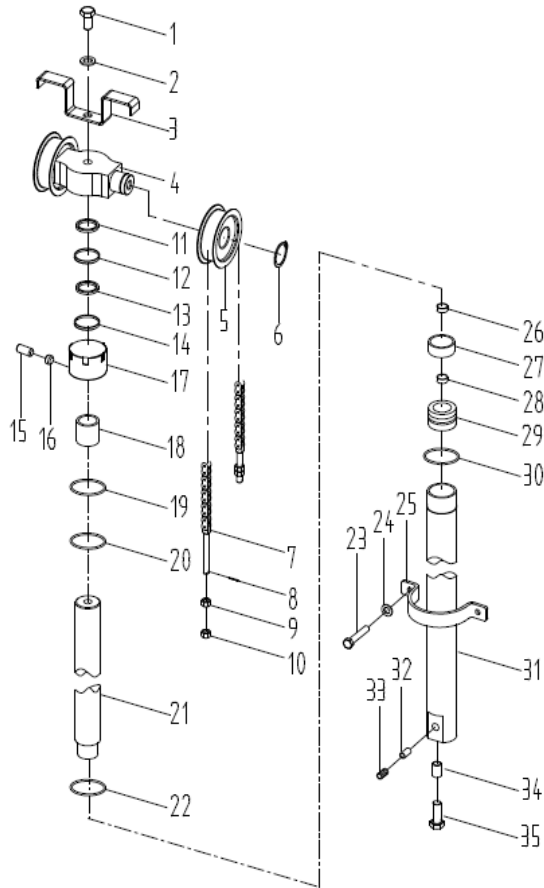


序号	物料代码	代号	名称	数量	备注
Item No.	ID NUMBER	Part No.	Description	Q'ty	Remark
A	N/A	MJ20384-03000	Front lift cylinder	1	2.5t
-	N/A	MJ30384-03000	Front lift cylinder	1	3-x4t
1	69000175	GB/T5782-M16*75-8.8J	Bolt M16×75	1	
2	69000056	GB/T93-16	Washer 16	1	
3	69106552	M30074000003-Black	Chain protector	1	
4	69087535	MJ30384-00002	Cylinder head	1	2.5t, 3t
-	69086847	MJ35384-00001	Cylinder head	1	3.5-x4t
5	69018464	M30074008000	Chain roller 780708H	2	2.5t, 3t
-	69007748	M3538006000	Chain roller A60309	2	3.5-x4t
6	69000070	GB/T894.1-Φ40	Axis circlip 40	2	
7	N/A	M20074006000	Chain ass'y LH1234	2	2.5t AS NEEDED
-	N/A	M30074011000	Chain ass'y LH1623	2	3t AS NEEDED
-	N/A	M35074001000	Chain ass'y LH1634	2	3.5-3.8t AS NEEDED
-	N/A	S40484XLS06000	Chain ass'y LH1634	2	x4t AS NEEDED
8	69017915	GB/T91-3.2*40	Cotter pin 3.2×40	4	
9	69107732	M3038001001	Nut M18×1.5	4	2.5t, 3t
-	69012580	M3538001001	Nut M22×1.5	4	3.5-x4t
10	69000004	GB/T6171-M18*1.5-8J	Nut M18×1.5	4	2.5t, 3t
-	69136816	GB/T6171-2000-M22*1.5	Nut M22×1.5	4	3.5-x4t
11	69135666	MJ20384-03010	Dust-proof seal 60×70×8/11	1	2.5t
-	69135711	MJ30384-03010	Dust-proof seal 70×84×8/11	1	3-x4t
12	69135662	MJ20384-03006	Snap ring d70×Φ60×3	1	2.5t
-	69135707	MJ30384-03006	Snap ring d80×Φ70×3	1	3-x4t
13	69135664	MJ20384-03008	Axis seal 60×70×6	1	2.5t
-	69135709	MJ30384-03008	Axis seal 70×80×6	1	3-x4t

图107/FIG107.

前起升油缸(三级全自由)/FRONT LIFT CYLINDER(FULL FREE 3-STAGE MAST)

FD25-40(T)



序号	物料代码	代号	名称	数量	备注
Item No.	ID NUMBER	Part No.	Description	Q'ty	Remark
14	69018828	GB/T1235-75*3.1	O-ring 75×3.1	1	2.5t
-	69023228	LS23228	O-ring 85×3.1	1	3-x4t
15	69094106	GB/T80-1985	Screw M6×5	1	内六角
16	69040793	JB982-6	Pad 6	1	
17	69135659	MJ20384-03003	Guiding sleeve	1	2.5t
-	69135704	MJ30384-03003	Guiding sleeve	1	3-x4t
18	69135667	MJ20384-03011	Bushing bearing 60×65×45	1	2.5t
-	69135712	MJ30384-03011	Bushing bearing 70×75×45	1	3-x4t
19	69135663	MJ20384-03007	Snap ring d75×Φ65×3	1	2.5t
-	69135708	MJ30384-03007	Snap ring d85×Φ75×3	1	3-x4t
20	69018828	GB/T1235-75*3.1	O-ring 75×3.1	1	2.5t
-	69023228	LS23228	O-ring 85×3.1	1	3-x4t
21	N/A	A20B4-10501	Piston Rod	1	2.5t NSS
-	N/A	Max303J03B-1	Piston Rod	1	3-x4t NSS
22	69135661	MJ20384-03005	Orifice bearing ring D70×20×2.5	1	2.5t
-	69135706	MJ30384-03005	Orifice bearing ring D85×20×2.5	1	3-x4t
23	69032087	GB/T5786-M10*1.25*20-8.8J	Bolt M10×1.25×20	2	
24	69000053	GB/T93-10	Washer 10	2	
25	69112410	MJ20384-00001-Black	U-Hoop	1	2.5t
-	69106554	MJ30384-00001-Black	U-Hoop	1	3t
-	69106433	MJ35382-00002-Black	U-Hoop	1	3.5-x4t
26	69135669	MJ20384-03013	Steel wire snap ring d40	1	
27	69135714	MJ30384-03200	One-way valve	1	
28	69084487	GB/T893.1-Φ22	Orifice snap spring 22	1	
29	69135660	MJ20384-03004	Piston	1	2.5t







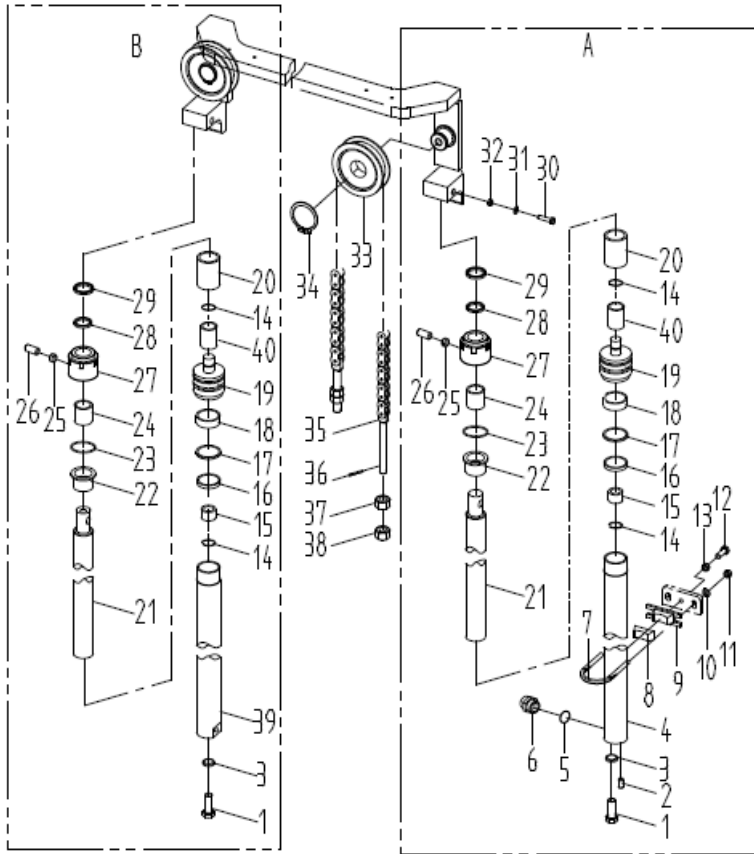




图108/FIG108.

后起升油缸(三级全自由)/REAR LIFT CYLINDER(FULL FREE 3-STAGE MAST)

FD25-40(T)

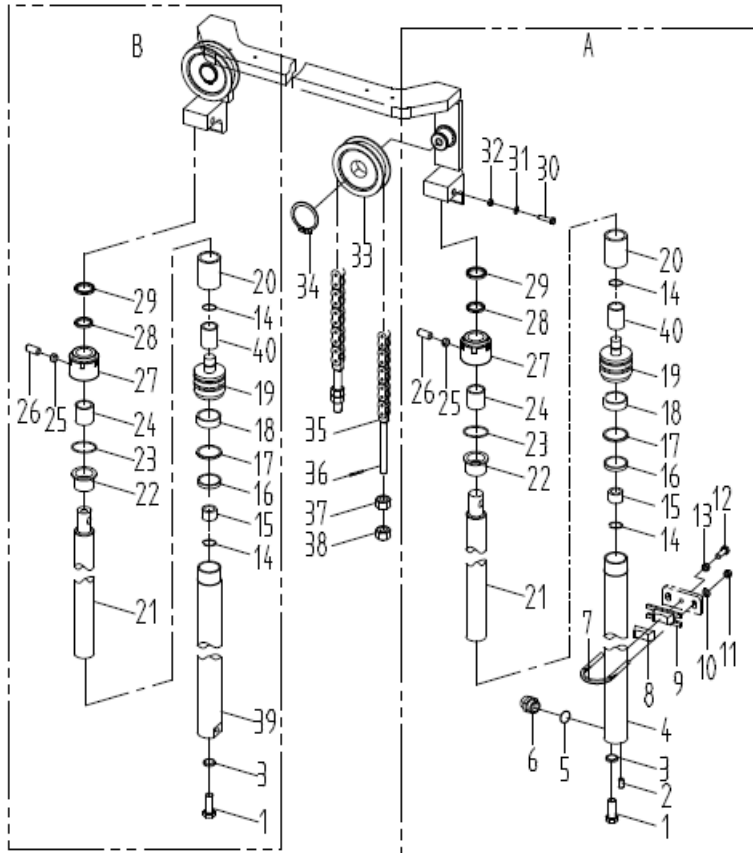


序号	物料代码	代号	名称	数量	备注
Item No.	ID NUMBER	Part No.	Description	Q'ty	Remark
A	N/A	A20484-02000	Lift cylinder (right)	1	2.5t
-	N/A	A30484-05000	Lift cylinder (right)	1	3t
-	N/A	A35484-05000	Lift cylinder (right)	1	3.5-x4t
B	N/A	A20484-07000	Lift cylinder (left)	1	2.5t
-	N/A	A30484-06000	Lift cylinder (left)	1	3t
-	N/A	A35484-06000	Lift cylinder (left)	1	3.5-x4t
1	69000137	GB/T5786-M12*1.25*25-8.8J	Bolt M12×1.25×25	2	
2	69135381	A20480-05012	Cylindrical pin 10×24	1	
3	69000054	GB/T93-12	Washer 12	2	
4	N/A	Max203J02A-100	Cylinder body (right)	1	2.5t NSS
-	N/A	Max303J02A-100	Cylinder body (right)	1	3-x4t NSS
5	69124131	GB1235-22*2.4-G	O-ring 22×2.4	1	
6	69135455	A30480-06100	Safety valve	1	
7	69006791	M3038000007	Hoop	2	
8	69012173	M3038000008	Rubber sleeve	2	
9	69012171	M3038009000	Hoop seat	2	
10	69000250	GB/T97.1-10	Washer 10	4	
11	69000313	GB/T6171-M10*1.25-8J	Nut M10×1.25	4	
12	69000140	GB/T5786-M12*1.25*45-8.8J	Bolt M12×1.25×45	2	
13	69000314	GB/T6171-M12*1.25-8J	Nut M12×1.25	2	
14	69130898	GB895.1-86	Steel wire snap ring 30	4	
15	69033161	LS33161	Sleeve	2	
16	69135377	A20480-05008	Orifice seal 50×40×6	2	2.5t
-	69135450	A30480-06010	Orifice seal 56×45×7	2	3-x4t
17	69135376	A20480-05007	Snap ring Φ50×Φ40×3	2	2.5t

图108/FIG108.

后起升油缸(三级全自由)/REAR LIFT CYLINDER(FULL FREE 3-STAGE MAST)

FD25-40(T)



序号	物料代码	代号	名称	数量	备注
Item No.	ID NUMBER	Part No.	Description	Q'ty	Remark
-	69135449	A30480-06009	Snap ring $\Phi 56 \times \Phi 45 \times 3$	2	3-x4t
18	69135375	A20480-05006	Orifice bearing ring $D50 \times 8 \times 2.5$	2	2.5t
-	69135448	A30480-06008	Orifice bearing ring $D56 \times 8 \times 2.5$	2	3-x4t
19	69135374	A20480-05005	Piston	2	2.5t
-	69135445	A30480-06005	Piston	2	3-x4t
20	69136216	Max203J01-2	Spacer	2	2.5t
-	69136825	Max303J01-2	Spacer	2	3-x4t
21	N/A	Max203J01-1	Piston rod	2	2.5t NSS
-	N/A	Max303J01-1	Piston rod	2	3t NSS
-	N/A	Max353J01-1	Piston rod		3.5-x4t NSS
22	69135373	A20480-05004	Bushing	2	2.5t
-	69135444	A30480-06004	Bushing	2	3-x4t
23	69024340	GB1235-60*3.1	O-ring $60 \times 3.1$	2	2.5t
-	69009541	LS9541	O-ring $68 \times 3.1$	2	3-x4t
24	69135380	A20480-05011	Bushing bearing $40 \times 44 \times 30$	2	2.5t
-	69135453	A30480-06013	Bushing bearing $45 \times 50 \times 30$	2	3-x4t
25	69135454	A30480-06014	Nylon pad $\Phi 6 \times 3$	2	
26	69008637	GB/T77-M8*8-12.9J	Hexagon headed screw $M8 \times 8$	2	
27	69135372	A20480-05003	Cylinder cap	2	2.5t
-	69135443	A30480-06003	Cylinder cap	2	3-x4t
28	69135378	A20480-05009	Axis seal $40 \times 50 \times 7$	2	2.5t
-	69135451	A30480-06011	Axis seal $45 \times 55 \times 7$	2	3-x4t
29	69135379	A20480-05010	Dust-proof seal $40 \times 52 \times 7/10$	2	2.5t
-	69135452	A30480-06012	Dust-proof seal $45 \times 57 \times 7/10$	2	3-x4t
30	69000143	GB/T5786-M12*1.25*80-8.8J	Bolt $M12 \times 1.25 \times 80$	2	











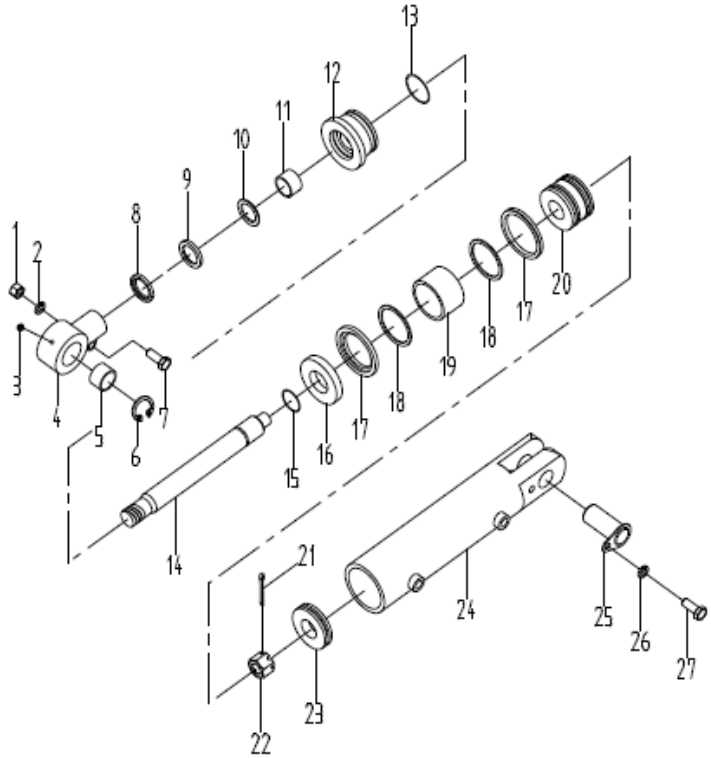




图109/Fig109.

## 倾斜油缸(2.5t)/TILT CYLINDER(2.5t)

FD25(T)



序号	物料代码	代号	名称	数量	备注
Item No.	ID NUMBER	Part No.	Description	Q'ty	Remark
A	N/A	A20480-04000	Tilt cylinder (right)	1	
B	N/A	A20480-07000	Tilt cylinder (left)	1	
1	69000316	GB/T6171-M14*1.5-8J	Nut M14×1.5 δ13	2	
2	69005111	GB/T93-14	Washer 14	2	
3	69003941	JB/T7940.1-M10*1	Oil cup M10×1	2	
4	69135353	A20480-04013	Connect ring	2	
5	69063301	GB/T9163-2001	Knuckle bearing GE30ES	2	
6	69059825	GB/T893.1-Φ47	Orifice Circlip 47	2	
7	69136826	GB/T5786-M14*1.5*55	Bolt M14×1.5×55	2	
8	69135349	A20480-04009	Dust-proof seal d32×40×5/6.5	2	
9	69135344	A20480-04004	Snap ring φ48×φ32×3	2	
10	69135347	A20480-04007	Axis seal φ32×φ42×6	2	
11	69135350	A20480-04010	Bushing bearing 32×36×35	2	
12	69135351	A20480-04011	Guiding sleeve 70	2	
13	69002386	LS2386	O-ring 70×5.7	2	
14	69135341	A20480-04001	Piston rod	2	
15	69002382	LS2382	O-ring38×3.5	2	
16	69136202	M20385-2	Adjusting sleeve I	按需	
17	69135348	A20480-04008	Orifice seal D70×60×6	2	
18	69135345	A20480-04005	Snap ring D70×φ60×2.5	2	
19	69135343	A20480-04003	Orifice bearing ring D70×16×2.5	2	
20	69135352	A20480-04012	Piston	2	
21	69136827	GB91-86-5×40	Cotter pin 5×40	2	
22	69136828	GB/T9459-1988-M22×1.5	Nut M22×1.5 δ22	2	
23	69136161	Max020-06-2	Cylinder cap	按需	

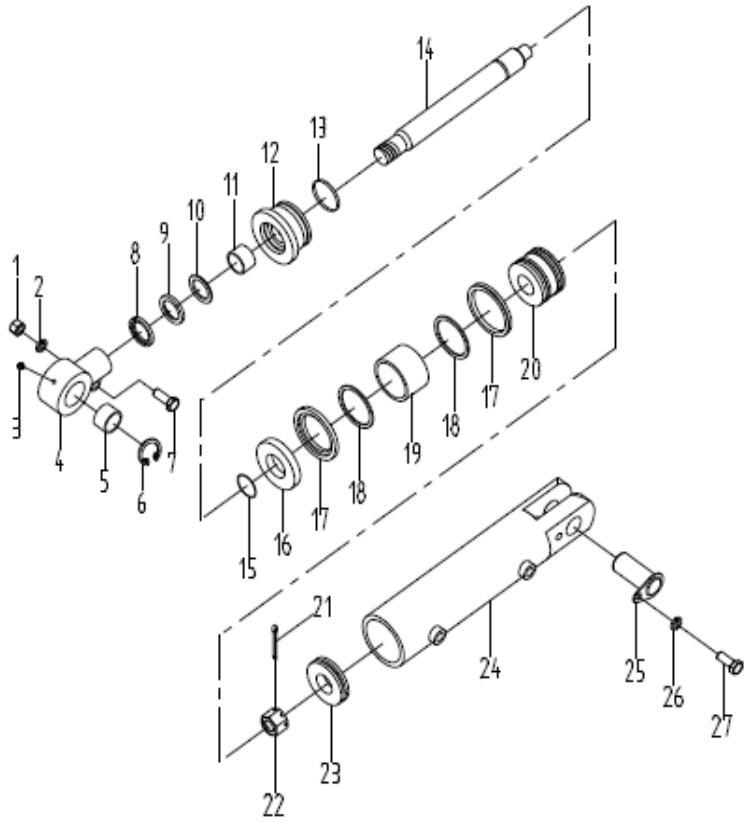




图110/Fig110.

倾斜油缸 (3-x4t)/TILT CYLINDER (3-x4t)

FD30-40 (T)



序号	物料代码	代号	名称	数量	备注
Item No.	ID NUMBER	Part No.	Description	Q'ty	Remark
A	N/A	A30480-05000	Tilt cylinder (right)	1	
B	N/A	A30480-08000	Tilt cylinder (left)	1	
1	69000316	GB/T6171-M14*1.5-8J	Nut M14×1.5 δ 13	2	
2	69005111	GB/T93-14	Washer 14	2	
3	69003941	JB/T7940.1-M10*1	Oil cup M10×1	2	
4	69135414	A30480-05005	Connect ring	2	
5	69063301	GB/T9163-2001	Knuckle bearing GE30ES	2	
6	69059825	GB/T893.1-Φ47	Orifice snap spring 47	2	
7	69136826	GB/T5786-M14*1.5*55	Bolt M14×1.5×55	2	
8	69135421	A30480-05012	Dust-proof seal d35×43×5/6.5	2	
9	69135416	A30480-05007	Snap ring φ45×φ35×3	2	
10	69135419	A30480-05010	Axis seal 35×45×6	2	
11	69135423	A30480-05014	Bushing bearing 35×39×35	2	
12	69135412	A30480-05003	Guiding sleeve 80	2	
13	69002387	LS2387	O-ring 80×5.7	2	
14	69135410	A30480-05001	Piston rod	2	
15	69002383	LS2383	O-ring 41×3.5	2	
16	69136457	Max030-06-2	Adjusting sleeve I	按需	
17	69135420	A30480-05011	Orifice seal D80×70×6	4	
18	69135417	A30480-05008	Snap ring φ80×φ70×2.5	4	
19	69135415	A30480-05006	Orifice bearing ring D80×16×2.5	2	
20	69135413	A30480-05004	Piston 80	2	
21	69007675	GB/T91-5*45	Cotter pin 5×45	2	
22	69094105	GB/T9459-1988	Nut M27×2 δ 27	2	
23	69136830	Max030-06-3	Adjusting sleeve II	按需	

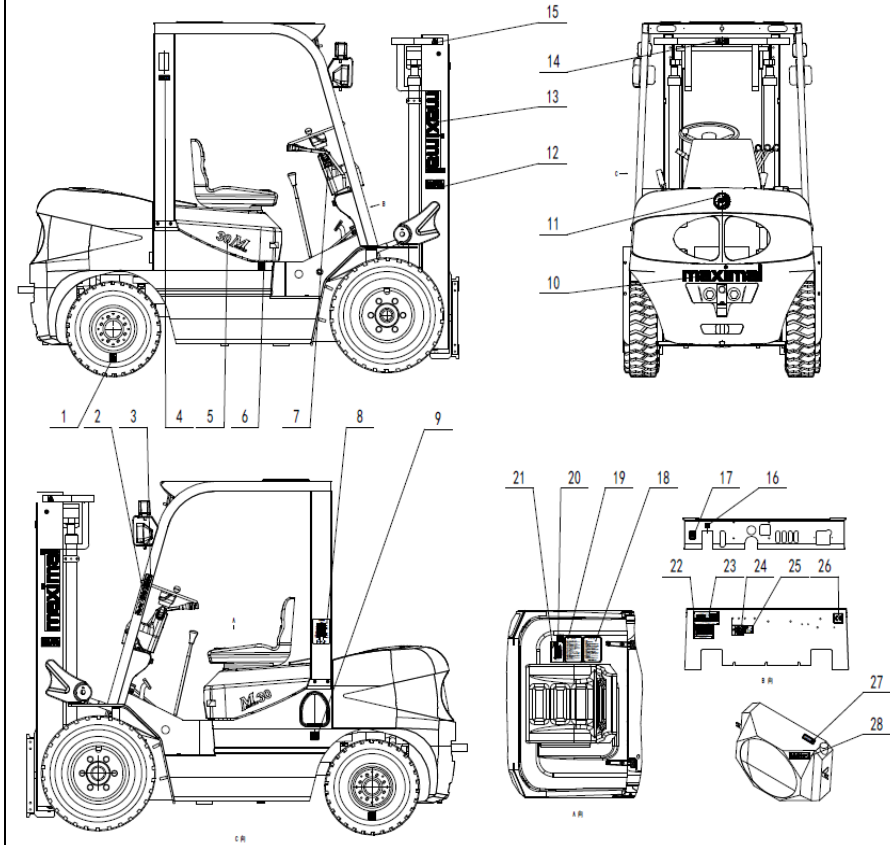




图111/Fig111.

标牌/DECAL

FD25/30(T)-M3G(1)1, M3G(1)2, M3G(1)3 ; FD35-M3G(1)1  
 FD25/30/35(T)-M3G(16)1, M3(16)2, M3G(16)3  
 FD25/30/35(T)-M3G(5)1, M3G(5)2, M3G(5)3 ; FD38/40-M3G(5)1  
 FD25/30/35(T)-M3WB1, M3WB3



序号	代号	名称	数量	备注
Item No.	Part No.	Description	Q'ty	Remark
A	-	Decal	1	
1	M3039100030	Tire Safety decal	2	国内用Domestic only
-	69095814	M30391W00024	2	出口用Overseas only
2	69136442	MJ30491-00007	1	
3	69136441	MJ30491-00006	1	
4	M3039100008	No flushing decal	1	国内用 Domestic only
-	M30391W00001	No flushing decal	1	出口用 Overseas only
-	69002265	M2539100002	2	2.5t
-	69002266	M3039100005	2	3t
-	69012149	M3539100002	2	3,5
-	69081192	MJ38391-00002	2	3.8t
-	69012292	40391X-00002	2	x4t
6	69136752	MJ30491-00001	1	
7	69138782	M3039100003	1	
8	M3039100024	Lubrication chart decal	1	国内用Domestic only
-	M30391W00004	Lubrication chart decal	1	出口用Overseas only
9	MJ30491-00002	Fuel decal(diesel)	1	
-	MJ30491-00011	Fuel decal(gasoline)	1	
10	69009047	M3039100007	1	
11	69007659	M3039100006	1	
12	69136434	M3039100001	2	
13	69000725	M3039100002	2	
14	69136440	MJ30491-00005	1	
15	69136439	MJ30491-00004	2	
16	69136742	A30491-00004	1	

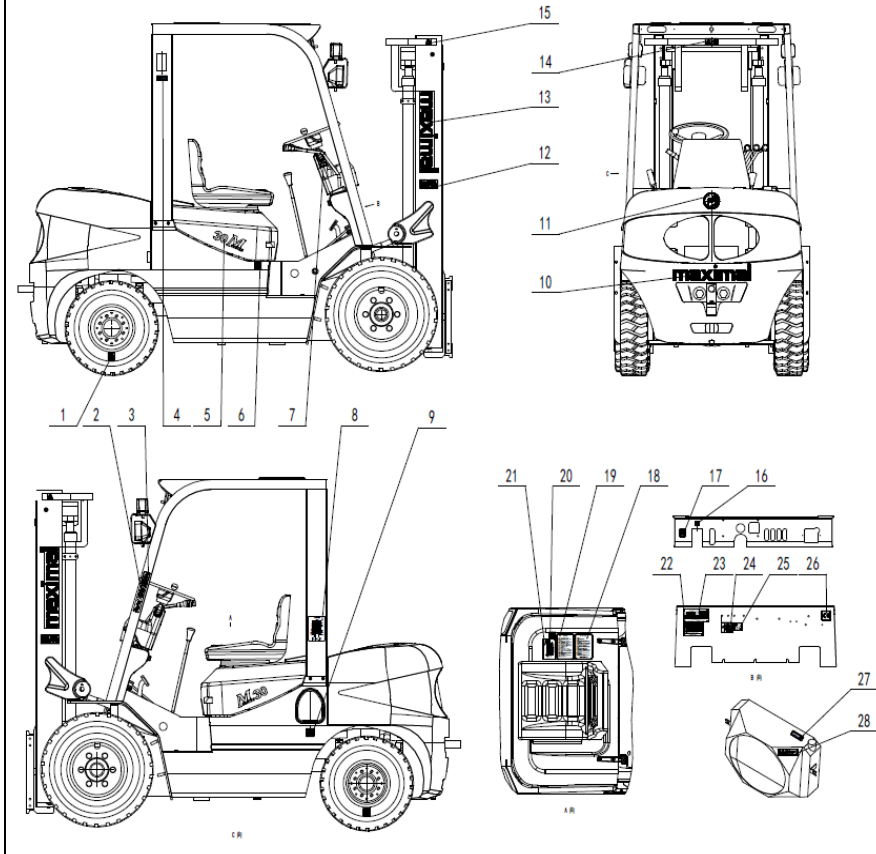
图111/Fig111.

FD25/30(T)-M3G(1)1, M3G(1)2, M3G(1)3 ; FD35-M3G(1)1

FD25/30/35(T)-M3G(16)1, M3(16)2, M3G(16)3

FD25/30/35(T)-M3G(5)1, M3G(5)2, M3G(5)3 ; FD38/40-M3G(5)1

FD25/30/35(T)-M3WB1, M3WB3



标牌/DECAL

序号		代号	名称	数量	备注
Item No.		Part No.	Description	Q' ty	Remark
17	69136741	MJ30491-00003	Brake oil decal	1	
18		M3039100027	Operation instruction decal	1	国内用Domestic only
-		M30391W00007	Operation instruction decal	1	出口用Overseas only
19		M3039100028	Operation rules decal	1	国内用Domestic only
-		M30391W00008	Operation rules decal	1	出口用Overseas only
20	69136747	MJ30491-00010	Forbid hitching people decal	1	
21	69085922	M2539100001-1	Load chart decal	1	2.5t国内用Domestic only
-	69085921	M25391W00001-1	Load chart decal	1	2.5t出口用Overseas only
-	69085925	M3039100011-1	Load chart decal	1	3t国内用Domestic only
-	69085923	M30391W00014-1	Load chart decal	1	3t出口用Overseas only
-	69085930	M3539100001-1	Load chart decal	1	3.5t国内用Domestic only
-	69085929	M35391W00001-1	Load chart decal	1	3.5t出口用Overseas only
-	69085956	M3839100001-1	Load chart decal	1	
-	69085953	M3839100001-2	Load chart decal	1	
-	69085933	M40391-00001-1	Load chart decal	1	x4t国内用Domestic only
-	69085932	M40391W-00001-1	Load chart decal	1	x4t出口用Overseas only
22	69136744	MJ30491-00009	Environmental information decal	1	国内用Domestic only
23	69089358	M3039100020	Name plate decal	1	国内用Domestic only
-	69089234	M30391W00015	Name plate decal	1	出口用Overseas only
24	69136436	M3039100013	Standing forbidden decal	1	
25	69142366	M30391W00002	Noise decal	1	国内用Domestic only
-		M30391W00107	Noise decal	1	出口用Overseas only
26		M30391W00016	CE decal	1	CE国家用Used in CE countries
27	69089828	M3039100031	Anti-freeze added decal	1	国内用Domestic only



