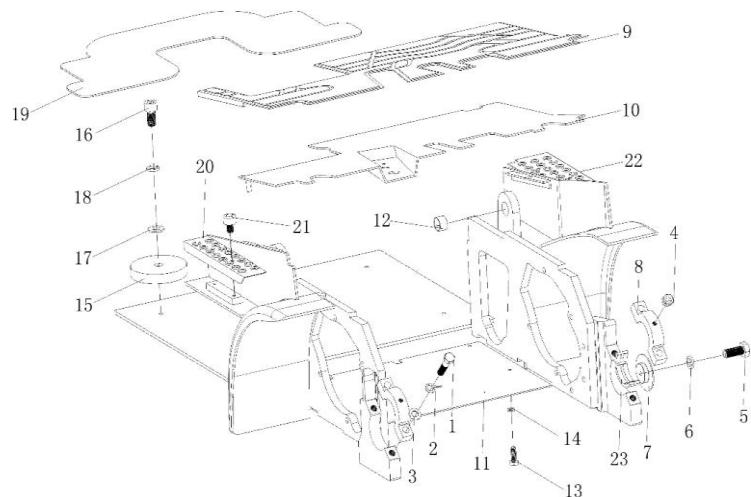


图1 /Fig.1

车身附件/Truck's accessory

FB16S-MJZ
FB18S-MJZ
FB20S-MJZ

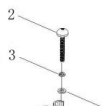


序号 Item No.	物料号 ID.	代号 Part No.	名称 Description	数量 Q'ty	备注 Remart
1	69003927	GB/T70.1-M16*55-8.8J	Bolt M16x55	4	
2	69000056	GB/T93-16	Washer 16	4	
3	69000253	GB/T97.1-16	Washer 16	4	
4	69003941	JB/T7940.1-M10*1	Nipple M10x1	2	
5	69000125	GB/T5783-M10*25-8.8J	Bolt M10x25	2	
6	69000053	GB/T93-10	Washer 10	2	
7	69001570	MS1670900001	Cap	2	
8	69062062	MS1670900002	Bearing cap	2	
9	69009576	MS1670900003	Rubber mat	1	
10	69001802	MS1670901000	Front floor board	1	
11	69063296	MS1670900004	Bottom plate	1	
12	69001553	M3036100023	Bush bearing	2	
13	69000190	GB/T5783-M6*16-8.8J	Bolt M6x16	4	
14	69000060	GB/T93-6	Washer 6	4	
15	69001584	M2571400002	Rubber damper	4	
16	69000237	GB/T70.1-M10*20-8.8J	Bolt M10x20	4	
17	69000250	GB/T97.1-10	Washer 10	4	
18	69000053	GB/T93-10	Spring washer 10	4	
19	69004047	MS1670900006	Rubber pad	1	
20	69001656	MS1670900007	Non-slip pad (right)	1	
21	69039751	GB/T819.1-M8*12-8.8J	Bolt M8x12	4	
22	69001657	MS1670900008	Non-slip pad (left)	1	
23	69001554	MS1670900009	Bushing	2	

图2/Fig.2

蓄电池及安装/ Battery assemble

FB16S-MJZ
FB18S-MJZ
FB20S-MJZ



序号 Item No.	物料号 ID.	代号 Part No.	名称 Description	数量 Q'ty	备注 Remart
1	69002774	MS1671401000	Battery box	1	FB16-18S-MJZ /MJD
—	69002775	MS2071401000	Battery box	1	FB20S-MJZ /MJD
2	69000271	GB/T818-M6*45-4.8J	Bolt M6x45	4	
3	69000060	GB/T93-6	Washer 6	4	
4	69000258	GB/T97.1-6	Washer 6	4	

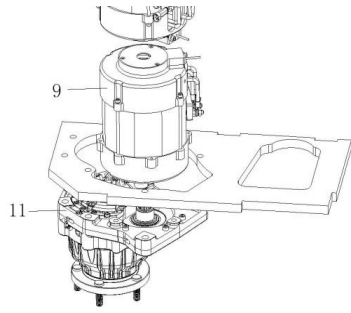
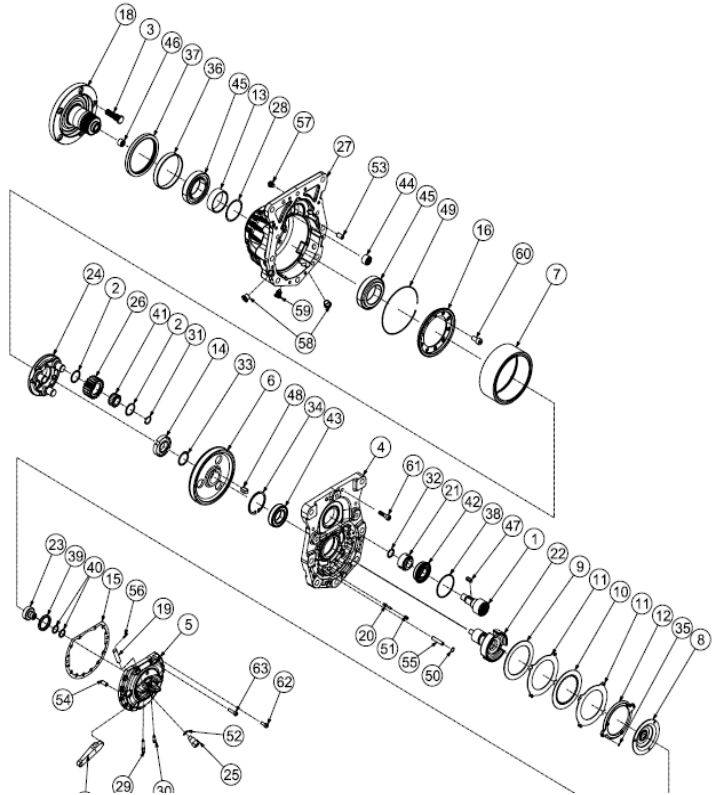


图5/Fig. 5

变速箱/Transmission

FB16S-MJZ
FB18S-MJZ
FB20S-MJZ

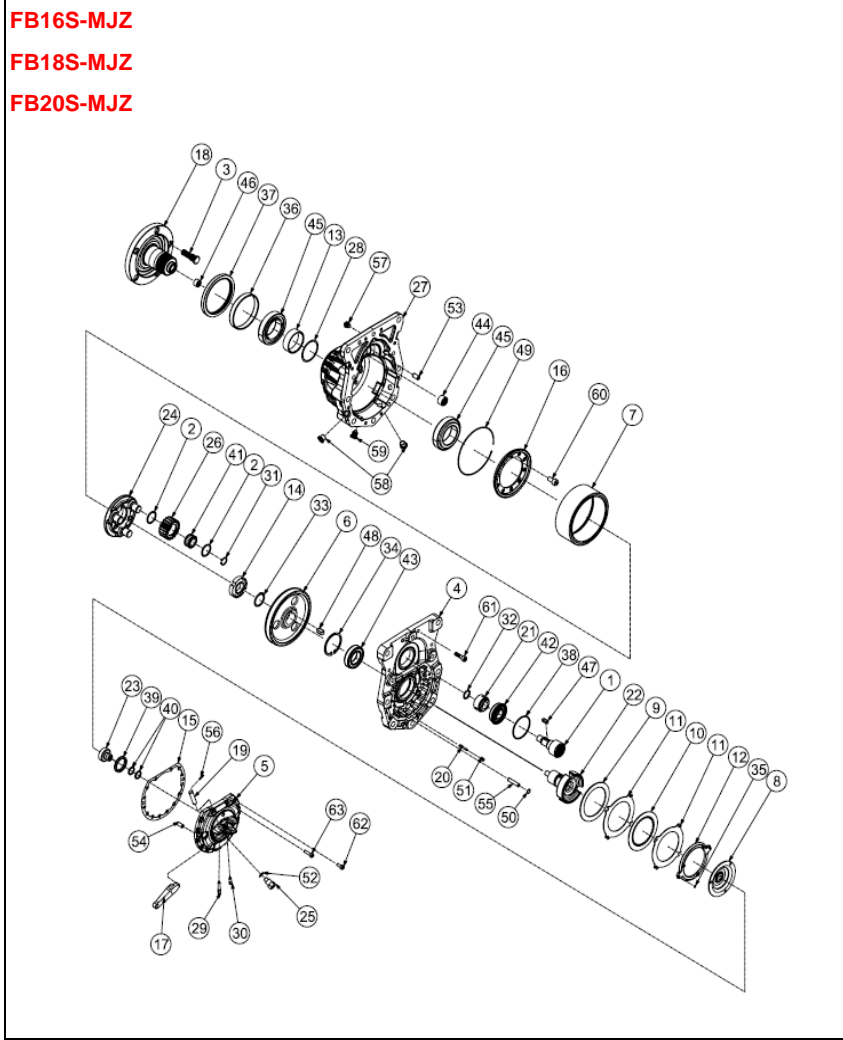


序号 Item No.	物料号 ID.	代号 Part No.	名称 Description	数量 Q'ty	备注 Remart
1	69039837	010.0004.4	Input shaft	1	
2	69137683	40,0009	Snap spring	3	
3	69137684	207,0001	Hub Bolt	5	
4	69137685	215,0103	Cover	1	
5	69137686	215,0105	Brake housing	1	
6	69137687	250,0025	Spiral bevel gear (big)	1	
7	69137688	250,0067	Internal gear	1	
8	69067984	320.0023.2	Flex disk	1	
9	69067987	320.0027.1	Friction plate(inner)	1	
10	69067988	320.0033.0	Friction plate(inner)	6	
11	69067986	320.0034.0	Steel disk	7	
12	69067989	320.0036.0	friction plate(outer)	1	
13	69137694	330.0067.0	Positioning ring	1	
14	69137695	470.0007.1	Nut	6	
15	69039833	490.0002.0	Washer	1	
16	69137697	520.0062.1	Connecting disk	1	
17	69137698	615	Brake lever	1	
18	69137699	660.0016.1	Hub	1	
19	69137700	715,0011	pin		
20	69137701	715.0013.0	Pin	2	
21	69137702	735.0034.5	Spiral bevel gear (small)	1	

17 3 46 37

22	69137703	735.0080.1	Driving gear	1	
23	69137704	740.0031.1	Piston	1	

图5/Fig. 5 变速箱/Transmission

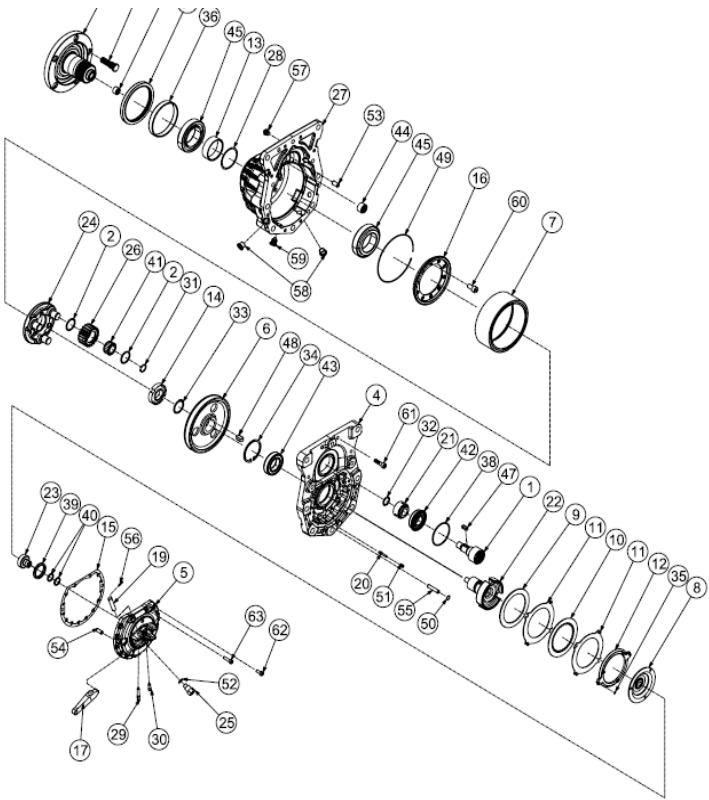


序号 Item No.	物料号 ID.	代号 Part No.	名称 Description	数量 Q'ty	备注 Remart
24	69137705	750.0000.6	Gear carrier	1	
25	69137706	796.0001	Service brake connection	1	
26	69137707	835.0028.1	Planet gear	3	
27	69137708	840.0037.1	Housing	1	
28	69137709	875.0026.2	Spacer	1	
29	69137710	980.0005	Bleeder valve	1	
30	69137711	980.0007	Blind valve	1	
31	69137712	AE0.0017.0	Positioning ring	1	
32	69137713	AE0.0018.0	Snap ring	1	
33	69137714	AE0.0019.0	Positioning ring	1	
34	69137715	AE1.0010.0	Positioning ring	1	
35	69096110	AE4.0001.0	Snap ring	2	
36	69069219	AT1.0022.0	Nylon ring	1	
37	69069218	AT1.0049.0	Gland ring	1	
38	69137716	AT5.0012.0	O-ring	1	
39	69039835	AT9.0037.0	Seal ring	1	
40	69039836	AT9.0044.0	Seal ring	2	
41	69137717	CC1.0010.0	Roller bearing	3	
42	69137718	CR1.0016.0	Bearing	1	
43	69137719	CR1.0039.0	Bearing	1	
44	69137720	CRU.0001.0	Needle bearingNK16-16	1	
45	69086880	CU1.0021.0	Bearing	2	
46	69137722	GUR.006.0	Needle bearingHK12-12	1	

图5/Fig. 5 变速箱/Transmission



序号 Item No.	物料号 ID.	代号 Part No.	名称 Description	数量 Q'ty	备注 Remart
47	69137723	LIN.0001.1	Key	1	
48	69137724	LIN.0015.1	Key	1	
49	69137725	MOL.0001.1	SpringSnap springφ142	1	



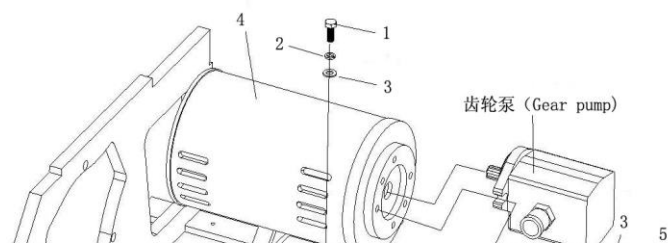
50	69067990	MOL.0020.0	Reed	24	
51	69067991	MOL.0021.0	Spring	2	
52	69137728	Ro1.0013	Washer	1	
53	69137729	SP1.0004.2	Positioning pinΦ10×20	2	
54	69137730	SP1.0007.2	Positioning pin	2	
55	69137758	SP1.0010.2	Positioning pin	4	
56	69137759	sp4.0004	Elastic pinΦ3×16	2	
57	69137760	TAP.0023.0	Breather plug	1	
58	69137761	TAP.0024.0	Screw plug M14×1.5	3	
59	69137762	TAP.0045.1	Magnetic screw plug M14×1.5	1	
60	69137763	VC1.0020.0	Bolt	10	
61	69137764	VC1.0038.0	Bolt	8	
62	69137765	VC1.0065.0	Bolt	12	
63	69137766	VC1.0066.0	Bolt	2	

图6/fig.6

起升电机及安装/ Oil pump motor assemble

FB16S-MJZ
FB18S-MJZ
FB20S-MJZ

序号 Item No.	物料号 ID.	代号 Part No.	名称 Description	数量 Q'ty	备注 Remart
1	69000125	GB/T5783-M10*25-8.8J	Bolt M10×25	4	
2	69000053	GB/T93-10	Washer 10	6	
3	69000250	GB/T97.1-10	Washer 10	6	
4	69088348	MS16718Z-01000	Pump motor	1	
5	69000130	GB/T5783-M10*35-8.8J	Bolt M10×35	2	
6	69001992	M3032300002	Rubber blanket	4	



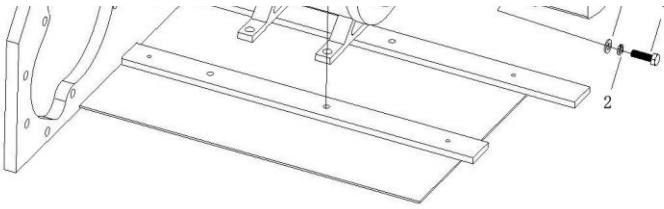
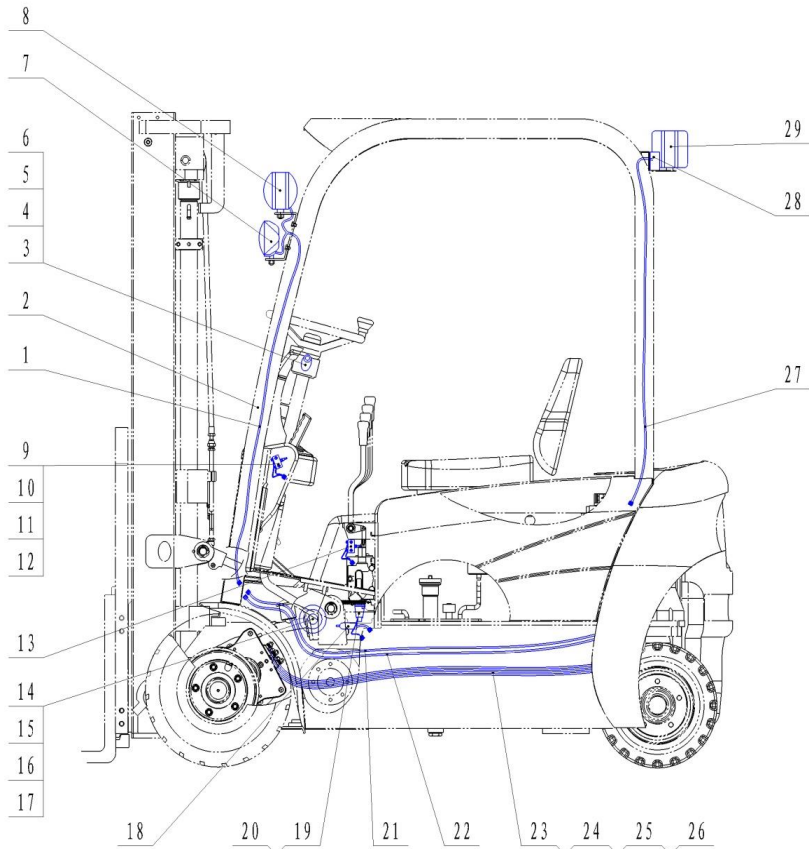


图7/Fig.7 电气系统(一)/Electrical System (I)

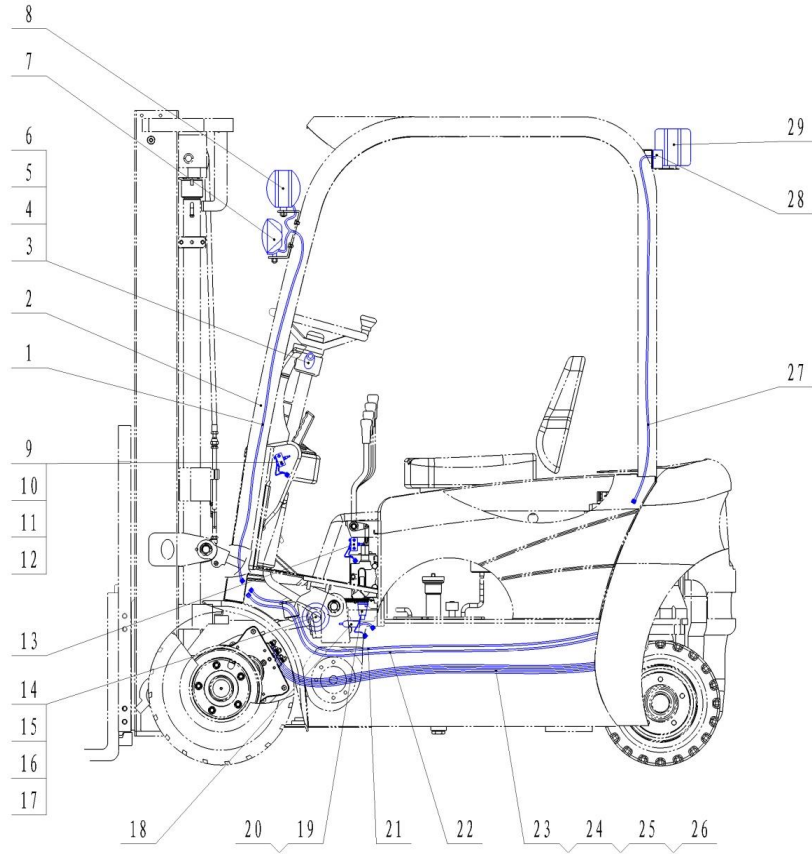


序号 Item No.	物料号 ID.	代号 Part No.	名称 Description	数量 Q'ty	备注 Remark
1	69011265	25724Z-01203	Overhead guard light harness(left)	1	
2	69011266	25724Z-01202	Overhead guard light harness(right)	1	
3	69026711	25724-00027.	Combination switch	1	
4	69000328	GB/T818-M6*15-4. 8J	Bolt M5×15	8	GB/T818-2000
5	69000257	GB/T97. 1-5	Washer 5	10	GB/T97. 1-2002
6	69000059	GB/T93-5	Washer 5	10	GB/T93-11987
7	69000451	30324-00021	Head light	2	
8	69000504	30324-00019	Front combination lamp	2	
9	69000384	A25724-02008	Hand brake micro switch	1	25724-00031
10	69000336	GB/T818-M4*25-4. 8J	Bolt M4×25	2	GB/T818-2000
11	69000257	GB/T97. 1-5	Washer 5	2	GB/T97. 1-2002
12	69000059	GB/T93-5	Washer 5	2	GB/T93-11987
13	69003188	A25724-02009-1	Multi-way valve micro switch	1	25724-00030
14	69006074	A25724-02005	Horn	1	30324-00030
15	69000309	GB/T5783-M8*16-8. 8J	Bolt M8×16	1	GB/T5781-2000
16	69000259	GB/T97. 1-8	Washer 8	5	GB/T97. 1-2002
17	69000062	GB/T93-8	Washer 8	5	GB/T93-11987
18	69000497	A25724-02010	Brake switch	2	30324-00034
19	69003220	A25724-02015	Lift potentiometer	1	25724-00029

20	69007977	GB/T818-M5*12-4. 8J	Bolt M5x12	2	GB/T818-2000
21	69006677	16824Z-01101A	Main wiring harness	1	16824Z-01101
22	69006678	16824Z-01201a	Light wiring harness	1	16824Z-01201
23	69006341	16824Z-01105	Motor cable	1	

图7/Fig.7

电气系统(I)/Electrical System (I)

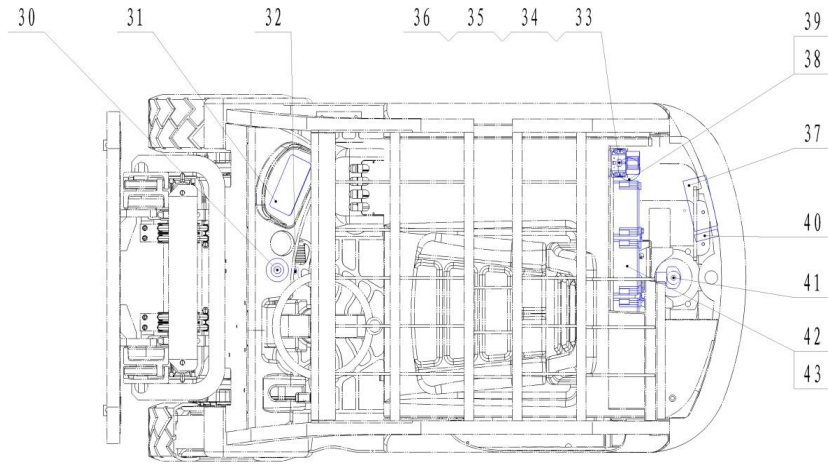


序号 Item No.	物料号 ID.	代号 Part No.	名称 Description	数量 Q'ty	备注 Remark
24	69000661	A25724-02020	Cable tie	some/若干	ST4×200
25	69000663	U3042400001	Cable tie	some/若干	ST8×350
26	69095506	30355M-00002	Cable tie	some/若干	ST10×150
27	69011267	25724Z-01204	Rear light wiring harness	1	
28	69037956	A30424-02102	Rear combination lamp	2	30324-00020
29	69009359	A25724-02004	Caution light	1	30324-00022

图8/Fig.8

电气系统(II)/ Electrical System (II)

序号 Item No.	物料号 ID.	代号 Part No.	名称 Description	数量 Q'ty	备注 Remark
30	69018511	A25724-02002	Emergency button	1	25724-00014



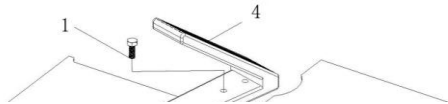
31	69077243	A25708Z-07000	Display	1	
32	69130927	A25724-02001A	Key switch	1	25724-00013
33	69007212	16824Z-01103-R	Battery socket	1	16824Z-01103
34	69000271	GB/T818-M6*45-4.8J	Bolt M6x45	4	GB/T818-2000
35	69000258	GB/T97.1-6	Washer 6	14	GB/T97.1-2002
36	69000060	GB/T93-6	Washer 6	14	GB/T93-11987
37	69006218	A25724-02014	DC converter	1	25724-00037
38	69000379	A25724-02006	Buzzer	1	30324-00035
39	69000328	GB/T818-M6*15-4.8J	Bolt M6x15	10	GB/T818-2000
40	69000368	A25724-02013	Fuse box	1	25724-00038
41	69003784	16824-00021	Steer potentiometer	1	
42	69004276	20824-00010	Controller	1	16824-00018
43	69000200	GB/T5783-M8*25-8.8J	Bolt M8x25	4	GB/T5781-2000

图9/Fig.9

加速器及安装/Accelerator assemble

FB16S-MJZ
FB18S-MJZ
FB20S-MJZ

序号 Item No.	物料号 ID.	代号 Part No.	名称 Description	数量 Q'ty	备注 Remart
1	69000198	GB/T5783-M8*20-8.8J	Bolt M8x20	2	
2	69000062	GB/T93-8	Spring washer 8	2	
3	69000292	GB/T889.1-M8-8J	Nut M8	2	
4	69041816	M2572501000	Accelerator	1	



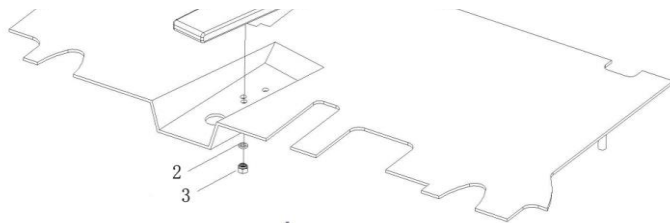


图10/Fig. 10

前轮总成/Front tyre assy

FB16S-MJZ
FB18S-MJZ
FB20S-MJZ

序号 Item No.	物料号 ID.	代号 Part No.	名称 Description	数量 Q'ty	备注 Remart
1	69067601	M2574401000-2-Q	Tyre	1	FB16-18S-MJZ /MJD
—	69067602	MS2073300001-2-Q	Tyre	1	FB20S-MJZ /MJD
2	69011408	MS1673301000-B	Rim	1	FB16-18S-MJZ /MJD
—	69011410	MS2073301000-B	Rim	1	FB20S-MJZ /MJD
3	69075482	GB/T6184-M14*1.5-10J	Nut M14x1.5	5	

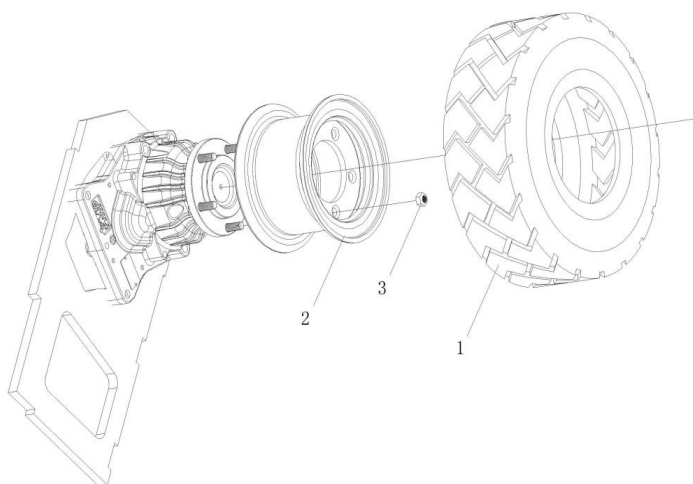
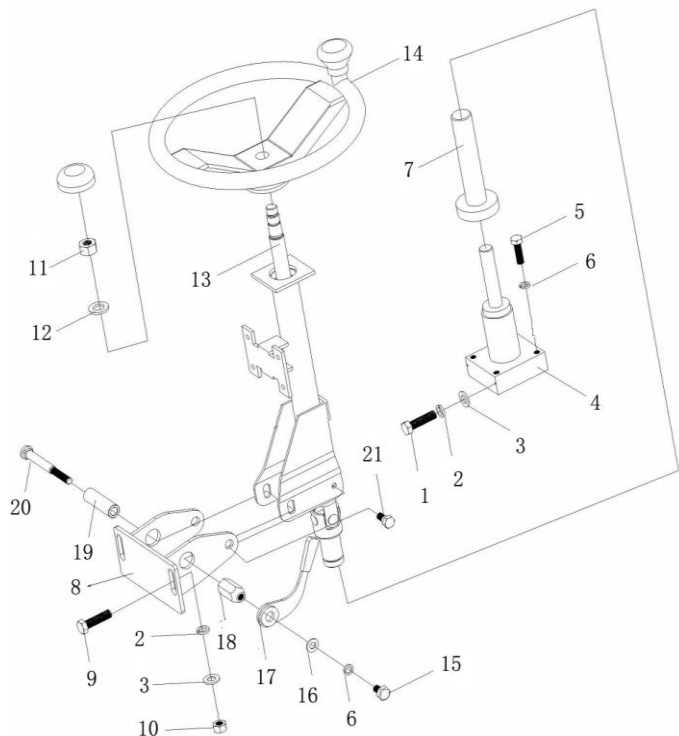


图11/Fig. 11

FB16S-MJZ

FB18S-MJZ

FB20S-MJZ



转向装置及安装/Steering device and assemble

序号 Item No.	物料号 ID.	代号 Part No.	名称 Description	数量 Q'ty	备注 Remart
1	69000140	GB/T5786-M12*1.25*45-8.8J	Bolt M12x1.25x45	2	
2	69000054	GB/T93-12	Washer 12	4	
3	69000251	GB/T97.1-12	Washer 12	4	
4	69003219	MS1674201000	Flange (215)	1	
5	69017603	GB/T5782-M10*45-8.8J	Bolt M10x45	4	
6	69000053	GB/T93-10	Washer 10	5	
7	69001643	M3034200001	Dustproof cover	1	
8	69005447	M2574204000	Column bracket	1	
9	69000306	GB/T5783-M12*30-8.8J	Bolt M12x30	2	
10	69020188	GB/T6170-M12	Nut M12	2	
11	69003072	GB/T6173-M16*1.5-8J	Nut M16x1.5	1	
12	69000253	GB/T97.1-16	Washer 16	1	
13	69001578	M2574202000	Column	1	
14	69001645	M2574201000	Steering wheel ass'y	1	
15	69058950	M3034200005	Bolt	1	
16	69000250	GB/T97.1-10	Washer 10	1	
17	69001858	M3034204000	Lock handle	1	
18	69058951	M3034200004	Nut	1	
19	69023128	30342M-00003	Coller	1	
20	69001857	M3034200002	Connecting shaft	1	
21	69000293	M3034200006	Bolt	1	

图12/Fig. 12

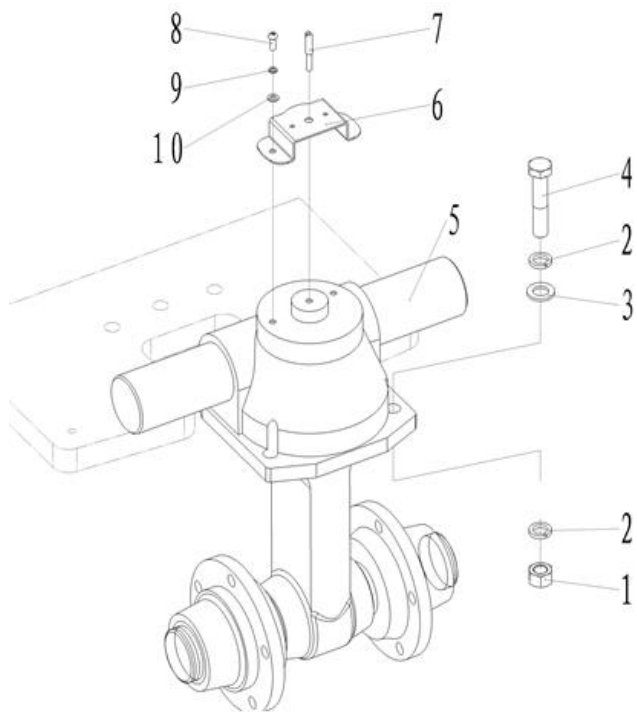
FB16S-MJZ

转向桥及安装/Steering Axle

序号	物料号	代号	名称	数量	备注
----	-----	----	----	----	----

FB18S-MJZ

FB20S-MJZ



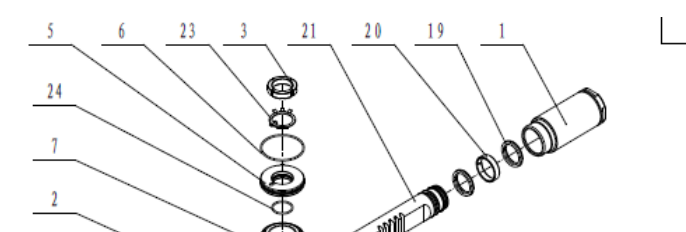
Item No.	ID.	Part No.	Description	Q'ty	Remart
1	69000106	GB/T6170-M16-8J	Nut M16	5	
2	69000056	GB/T93-16	Washer 16	10	
3	69000253	GB/T97.1-16	Washer 16	5	
4	69010003	GB/T5782-M16*80-8.8J	Bolt M16x80	5	
5	69026059	MS1674301000	Steering axle	1	
6	69001995	MS1674300001	Steer Potentiometer bracket	1	
7	69003238	MS1674300002	Steer Potentiometer shaft	1	
8	69000258	GB/T97.1-6	Washer 6	2	
9	69000060	GB/T93-6	Washer 6	2	
10	69039750	GB/T823-M6*16-4.8J	Bolt M6*16	2	

图13/Fig. 13 转向桥 (一) /Steering Axle (I)

FB16S-MJZ

FB18S-MJZ

FB20S-MJZ



序号 Item No.	物料号 ID.	代号 Part No.	名称 Description	数量 Q'ty	备注 Remart
1	69141600	DCQ15-1	Cylinder body	2	
2		DCQ15-01	Bracket	1	
3	69141602	B4832-00039	Nut M39x1.5	1	
4	69141603	DCQ15-03	Spline shaft	1	
5	69141604	DCQ15-04	Bushing	1	
6	69141605	Z6003-08202	Seal ring	1	
7	69141606	Z-32010UBC	Bearing	1	

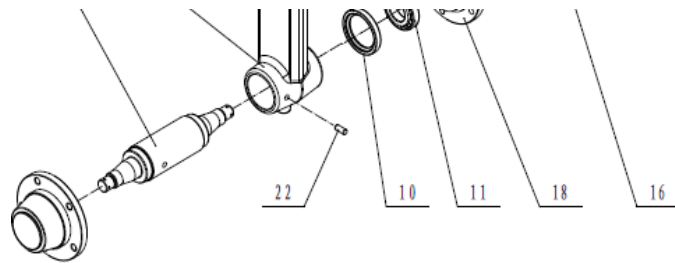


图14/Fig. 14

后轮总成/Rear tyre assy

FB16S-MJZ
FB18S-MJZ
FB20S-MJZ

序号 Item No.	物料号 ID.	代号 Part No.	名称 Description	数量 Q'ty	备注 Remart
1	69064051	MS1674400001-2-Y	Tyre	2	
2	69011409	MS1674401000-B	Rim ass'y	2	
3	69000288	MS1674400002	Rim bolt	10	
4	69025019	LS25019	Nut M14x1.5	10	
5	69003071	GB/T6173-M14*1.5-8J	Nut M14x1.5	10	

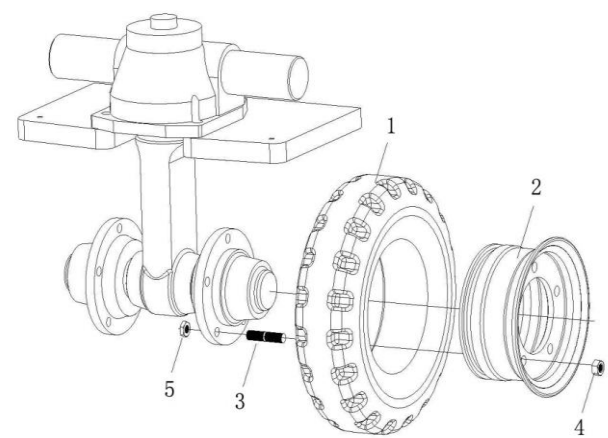
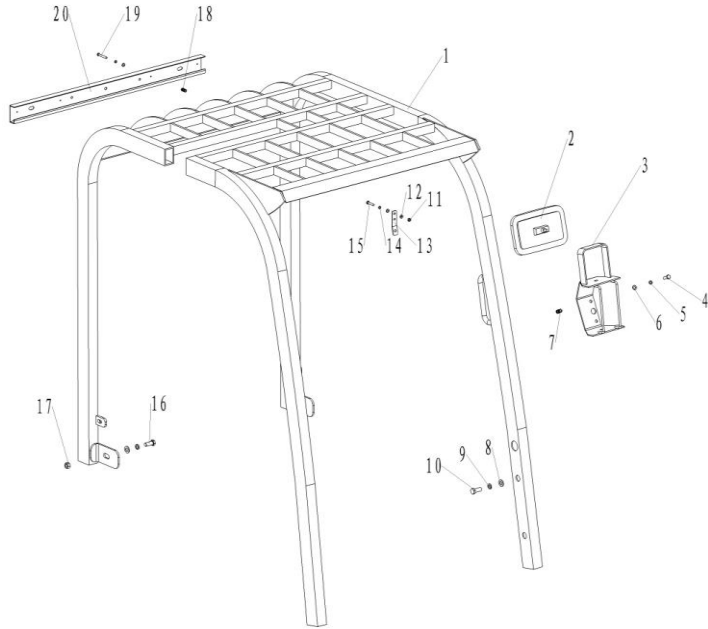


图15/Fig. 15

FB16S-MJZ
FB18S-MJZ
FB20S-MJZ



护顶架及安装 (一) /Overhead guard assy (I)

序号 Item No.	物料号 ID.	代号 Part No.	名称 Description	数量 Q'ty	备注 Remart
1	69103426	MS1675101000-Black	Overhead guard-Black	1	FB16-18S-MJZ
—	69103447	MS2075101000-Black	Overhead guard-Black	1	FB20S-MJZ
2	69000380	M3036109000	Rearview mirror	1	
3	69081169	M3036108100A-L	Headlight bracket-L	2	
	69081170	M3036108100A-R	Headlight bracket-R	2	
4	69000200	GB/T5783-M8*25-8.8J	Bolt M8x25	4	
5	69000062	GB/T93-8	Washer 8	4	
6	69000259	GB/T97.1-8	Washer 8	4	
7	69000223	GB/T17880.1-M8	Nut M8	4	
8	69003747	MS1675100002	Shim	2	
-	69000251	GB/T97.1-12	Washer 12	4	
9	69000054	GB/T93-12	Washer 12	6	
10	69000002	GB/T5783-M12*25-8.8J	Bolt M12x25	4	
11	69000111	GB/T6170-M6-8J	Nut M6	1	
12	69000258	GB/T97.1-6	Washer 6	4	
13	69000060	GB/T93-6	Washer 6	5	
14	69001574	MS1675100001	Rearview mirror bracket	1	
15	69000192	GB/T5783-M6*20-8.8J	Bolt M6x20	1	
16	69000306	GB/T5783-M12*30-8.8J	Bolt M12x30	2	
17	69020188	GB/T6170-M12	Nut M12	2	
18	69000222	GB/T17880.1-M6	Nut M6	2	
19	69000271	GB/T818-M6*45-4.8J	Bolt M6x45	2	
20	69065820	MS1675102000	Rear light bracket	1	

图16/Fig. 16

FB16S-MJZ
FB18S-MJZ
FB20S-MJZ



手制动操纵/Parking break assemble

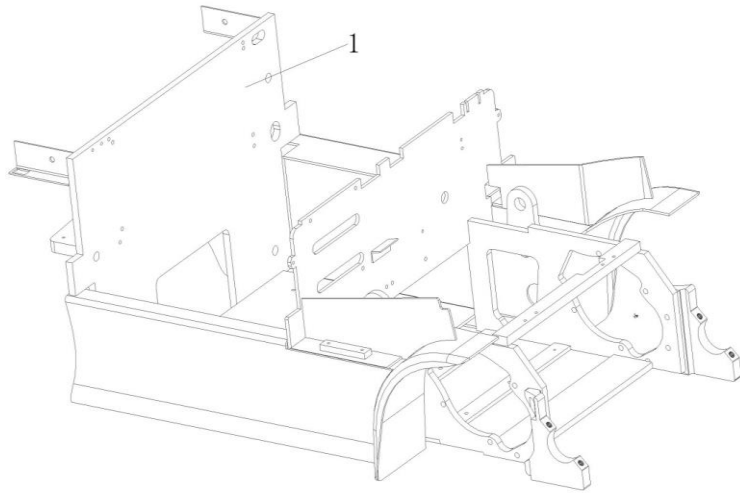
序号 Item No.	物料号 ID.	代号 Part No.	名称 Description	数量 Q'ty	备注 Remart
1	69001588	M2575501000	Parking brake ass'y	1	
2	69000125	GB/T5783-M10*25-8.8J	Bolt M10x25	2	
3	69000053	GB/T93-10	Washer 10	2	
4	69000250	GB/T97.1-10	Washer 10	2	
5	69000156	GB/T5783-M12*45-8.8J	Bolt M12x45	1	

图19/Fig. 19

FB16S-MJZ

FB18S-MJZ

FB20S-MJZ



车架/Frame

序号 Item No.	物料号 ID.	代号 Part No.	名称 Description	数量 Q'ty	备注 Remart
1	69123695	MS1676100000B-MGreen	Frame-MGreen	1	FB16-18S-MJZ
—	69123704	MS2076100000B-MGreen	Frame-MGreen	1	FB20S-MJZ

图20/Fig. 20

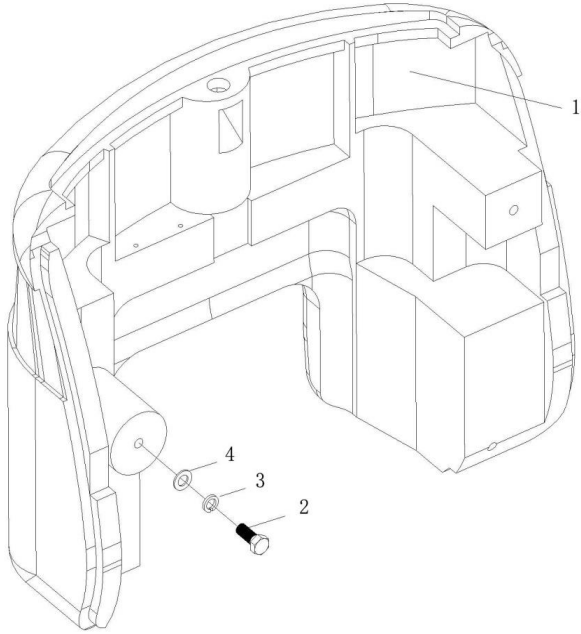
FB16S-MJZ

FB18S-MJZ

FB20S-MJZ

平衡重及安装/Counterbalance weight mount

序号 Item No.	物料号 ID.	代号 Part No.	名称 Description	数量 Q'ty	备注 Remart
1	69108611	MS1676300001-MGreen	Counterbalance weight-MGreen	1	F16S-MJZ
—	69108635	MS1876300001-MGreen	Counterbalance weight-MGreen	1	FB18-20S-MJZ
2	69033318	GB/T5781-M20*50-12.9J	Bolt M20x50	3	

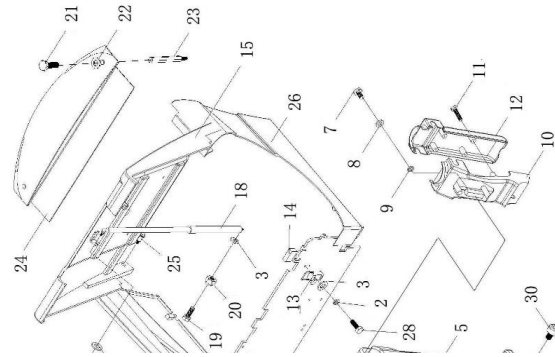


3	69000057	GB/T93-20	Washer 20	3	
4	69000254	GB/T97.1-20	Washer 20	3	

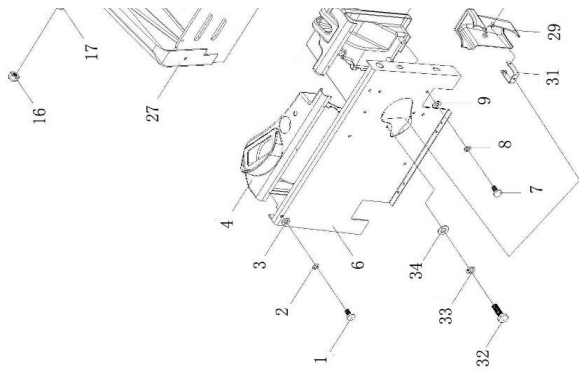
图21/Fig. 21

仪表架及机罩安装(一)/Display bracket & cover mount (I)

FB16S-MJZ
 FB18S-MJZ
 FB20S-MJZ



序号 Item No.	物料号 ID.	代号 Part No.	名称 Description	数量 Q'ty	备注 Remart
1	69000102	GB/T818-M6*12-4.8J	Bolt M6x12	5	
2	69000060	GB/T93-6	Washer 6	7	
3	69000258	GB/T97.1-6	Washer 6	9	
4	69003353	MS1676400002	Display cover(right)	1	FB13-20S-MJZ
5	69003352	MS1676400001	Display cover(left)	1	FB13-20S-MJD
6	69133277	MS1676401000-Mgreen	Display bracket-MGreen	1	
7	69007977	GB/T818-M5*12-4.8J	Bolt M5x12	9	
8	69000059	GB/T93-5	Washer 5	9	
9	69000257	GB/T97.1-5	Washer 5	9	
10	69003354	MS1676400003	Column cover(front)	1	
11	69000323	GB/T818-M5*25-4.8J	Bolt M5x25	1	



12	69003355	MS1676400004	Column cover(rear)	1	
13	69001716	M3036410000	Cover lock	1	
14	69001692	MS1676400005	Battery cover pad	1	
15	69001711	MS1676402000	Battery box cover	1	
—	69001712	MS2076401000	Battery box cover	1	
16	69000292	GB/T889.1-M8-8J	Nut M8	1	FB13S-MJZ /MJD FB20S-MJZ /MJD
17	69000259	GB/T97.1-8	Washer 8	1	
18	69001788	MS1676403000	Gas spring	1	
19	69000194	GB/T5783-M6*25-8.8J	Bolt M6x25	1	
20	69015196	GB/T889.1-M6-8J	Nut M6	1	FB16-20S-MJZ /MJD FB13S-MJZ /MJD
21	69000200	GB/T5783-M8*25-8.8J	Bolt M8x25	2	
22	69003658	M3036400008	Rubber washer	2	

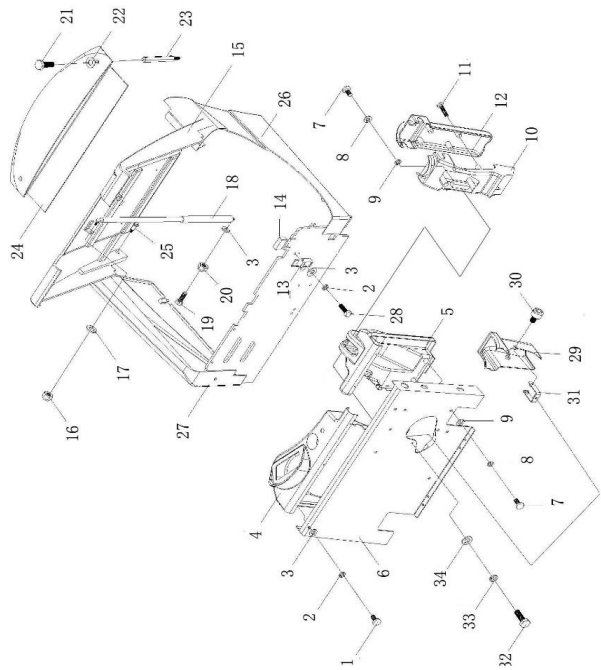
图21/Fig. 21

仪表架及机罩安装(一)/Chassis accessory (I)

FB16S-MJZ

FB18S-MJZ

FB20S-MJZ

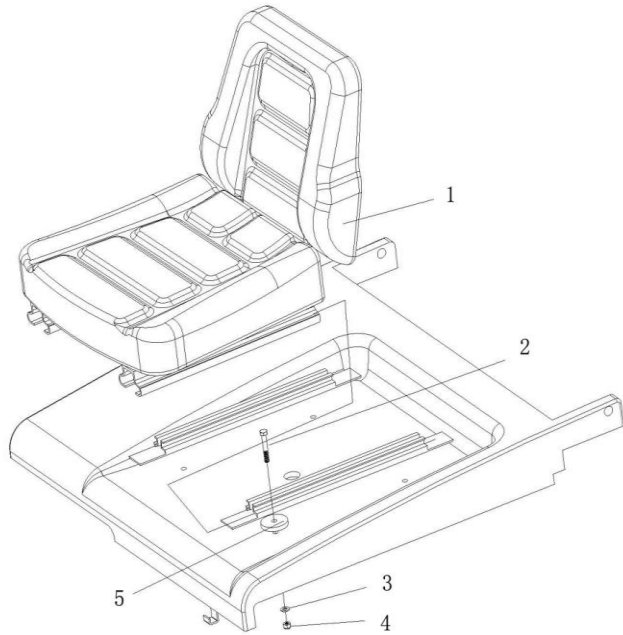


序号 Item No.	物料号 ID.	代号 Part No.	名称 Description	数量 Q'ty	备注 Remart
23	69001580	MS1676400006	Supporting rod	2	
24	69010737	MS1676400007	Controller cover	1	
—	69095647	MS2076400001	Controller cover	1	
25	69003601	MS1676400008	Hinge bolt	2	
26	69108617	MS1676404000-MGreen	Side cover(left)-Mgreen	1	
—	69108638	MS2076402000-MGreen	Side cover(left)-MGreen	1	2013年6月更改
27	69108620	MS1676405000-MGreen	Side cover(right)	1	
—	69108641	MS2076403000-MGreen	Side cover(right)-Mgreen	1	2013年6月更改
28	69000189	GB/T5783-M6*12-8.8J	Bolt M6x12	1	
29	69003356	MS1676400009	Protection cover	1	
30	69022768	GB/T818-M8*16	Bolt M8x16	2	
31	69003285	M2576408000	Brecket	1	
32	69000200	GB/T5783-M8*25-8.8J	Bolt M8x25	1	
33	69000062	GB/T93-8	Washer 8	1	
34	69000259	GB/T97.1-8	Washer 8	1	

图22/Fig. 22

座椅及安装/Seat arrange

FB16S-MJZ
FB18S-MJZ
FB20S-MJZ



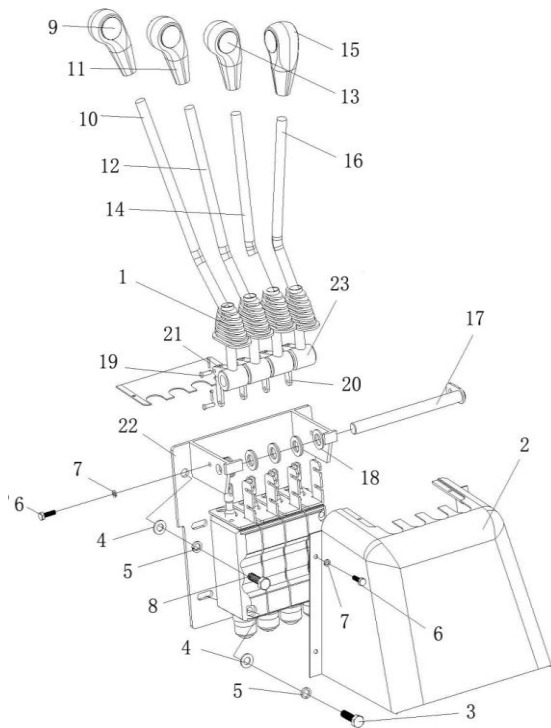
序号 Item No.	物料号 ID.	代号 Part No.	名称 Description	数量 Q'ty	备注 Remart
1	69005179	M2576801000-Y1	Seat	1	
2	69000200	GB/T5783-M8*25-8.8J	Bolt M8x35	4	
3	69000259	GB/T97.1-8	Washer 8	8	
4	69000292	GB/T889.1-M8-8J	Nut M8	4	
5	69001890	M2576800001	Seat rubber pad	4	

图23/Fig. 23

多路阀换向操纵/Multi-way valve control

FB16S-MJZ
FB18S-MJZ
FB20S-MJZ

序号 Item No.	物料号 ID.	代号 Part No.	名称 Description	数量 Q'ty	备注 Remart
1	69001522	M2577400008	Multi-way valve jacket	4	

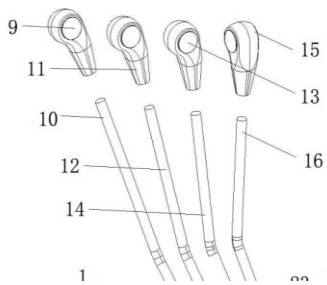


2	69010733	MS1677401000	Multi-way valve cover	1	
3	69000116	GB/T5786-M10*1.25*30-8.8J	Bolt M10x1.25x30	4	
4	69000250	GB/T97.1-10	Washer 10	8	
5	69000053	GB/T93-10	Washer 10	8	
6	69000189	GB/T5783-M6*12-8.8J	Bolt M6x12	5	
7	69000060	GB/T93-6	Washer 6	5	
8	69000123	GB/T5783-M10*20-8.8J	Bolt M10x20	4	
9	69011190	M2577400007	4th-way valve knob	1	
10	69010002	M2577407000	4th Multi-way valve lever	1	
11	69088905	M2577400006	3rd-way valve knob	1	
12	69009549	M2577406000	3rd Multi-way valve lever	1	
13	69010624	M2577400005	Tilt knob	1	
14	69010001	M2577405000	Multi-way valve lever II	1	
15	69010625	M2577400004	Lift knob	1	
16	69015927	M2577404000	Multi-way valve lever I	1	
17	69001621	M2577403000	Multi-way valve bracket pin shaft	1	
18	69001625	M2577400003 (1MM)	Multi-way valve bushing-1mm	按需	
—	69011790	M2577400003 (2MM)	Multi-way valve bushing-2mm	按需	
—	69011791	M2577400003 (3MM)	Multi-way valve bushing-3mm	按需	
19	69000322	M3037400001	Pin shaftφ4.7×18	8	
20	69003105	M2577400002	Connecting rod	4	
21	69000088	GB/T91-2*12	Cotter pin φ2×12	8	

图23/Fig. 23

多路阀换向操纵/Multi-way valve control

FB16S-MJZ
FB18S-MJZ
FB20S-MJZ



序号 Item No.	物料号 ID.	代号 Part No.	名称 Description	数量 Q'ty	备注 Remart
22	69001617	M2577402000	Multi-way valve bracket	1	
23	69006760	M2577400001	Bush bearing	1	

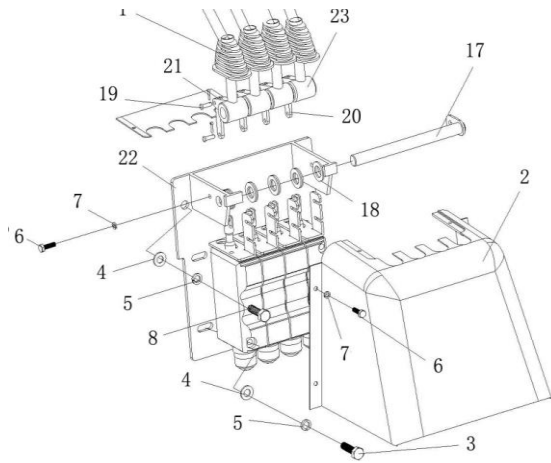
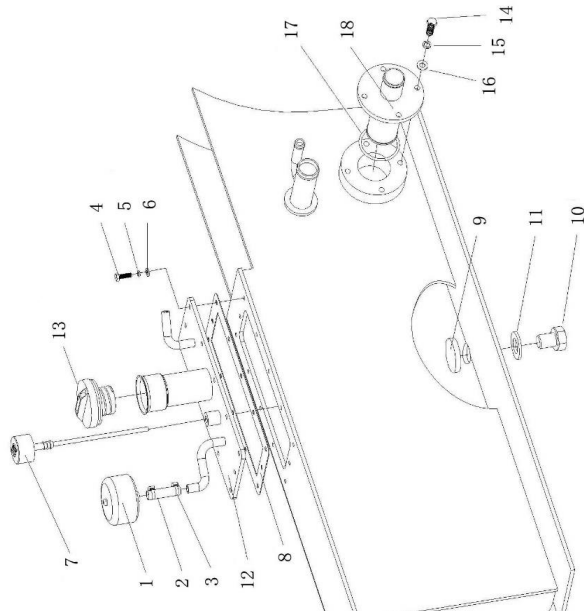


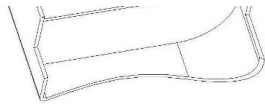
图24/Fig.24

工作油箱及安装/Oil tank device and assemble

FB16S-MJZ
 FB18S-MJZ
 FB20S-MJZ



序号 Item No.	物料号 ID.	代号 Part No.	名称 Description	数量 Q'ty	备注 Remart
1	69097475	M2577500003A	Breather	1	
2	69000052	JB/T8870-10-16	Hoopφ16	2	
3	69127357	MS1677500002	Hose	1	
4	69000192	GB/T5783-M6*20-8.8J	Bolt M6×20	12	
5	69000060	GB/T93-6	Washer 6	12	
6	69000258	GB/T97.1-6	Washer 6	12	
7	69018781	MS1677503000	Dipstick	1	
8	69000678	MS1677500001	Cover gasket	1	
9	69035702	M3032200003	Nagnetφ50×8	1	
10	69003910	M3032200002	Drain plug	1	
11	69000357	JB/T982-20	Washer 20	1	
12	69001961	MS1677501000A	Cover plate	1	
13	69001925	M3032200001	Oiling cap	1	
14	69000200	GB/T5783-M8*25-8.8J	Bolt M8×25	12	
15	69000062	GB/T93-8	Washer 8	12	
16	69000259	GB/T97.1-8	Washer 8	12	
17	69139466	GB/T3452.1-3.55*54.5	O-ring 3.55×54.5	1	



18	69003554	MS1677502000	Sucpion filter ass'y	1	

图25/Fig. 25

液压系统 (一) /Hydraulic system

FB13S-MJZ
FB16S-MJZ
FB18S-MJZ
FB20S-MJZ

序号 Item No.	物料ID ID.	代号 Part No.	名称 Description	数量 Q'ty	备注 Remart
A	N/A	—	Hydraulic system	1	
1	69002524	M1577601000-1	Gear pump	1	FB13-18S-MJZ/MJD
—	69002525	M2577602000	Gear pump	1	FB20S-MJZ
2	69124133	GB1235-35*3.5-G	O-ring 35*3.5	1	
3	69001280	M3037600005	Pump suction fitting	1	
4	69036891	JB/T8870-40-60	Hoopφ40-60	6	
5	69001533	MS1677600004	Pump suction pipe	1	
6	69124131	GB1235-22*2.4-G	O-ring 22*2.4	8	
7	69001421	M2577600003	Pump outlet fitting	1	
8	69001403	MS1677600011	Orbitrol H.P. hose	1	
9	69106447	LS106447	Return oil hose I	1	
10	69036894	JB/T8870-16-25	Hoopφ16-25	1	
11	69022337	JB/T8870-20-32	Hoopφ20-32	2	
12	69001400	16886-00001	Orbitrol pipe	1	
13	69001700	MS1677600005	Valve return oil hose	1	
14	69001396	MS1677600002	Steering cylinder H.P. hose I	1	FB13-18S-MJZ/MJD
—	69012997	30387S-01009	Steering cylinder H.P. hose I	1	FB20S-MJZ
15	69001397	MS1677600003	Steering cylinder H.P. hose II	1	FB13-18S-MJZ/MJD
—	69001461	M2577600001	Steering cylinder H.P. hose I	1	FB20S-MJZ
16	69000354	JB/T982-14	Combination washer 14	2	
17	69001434	MS1677600001	Steering cylinder connector	2	
18	69000357	JB/T982-20	Combination washer 20	4	
19	69001420	MS1677603000	Hinge bolt III	2	

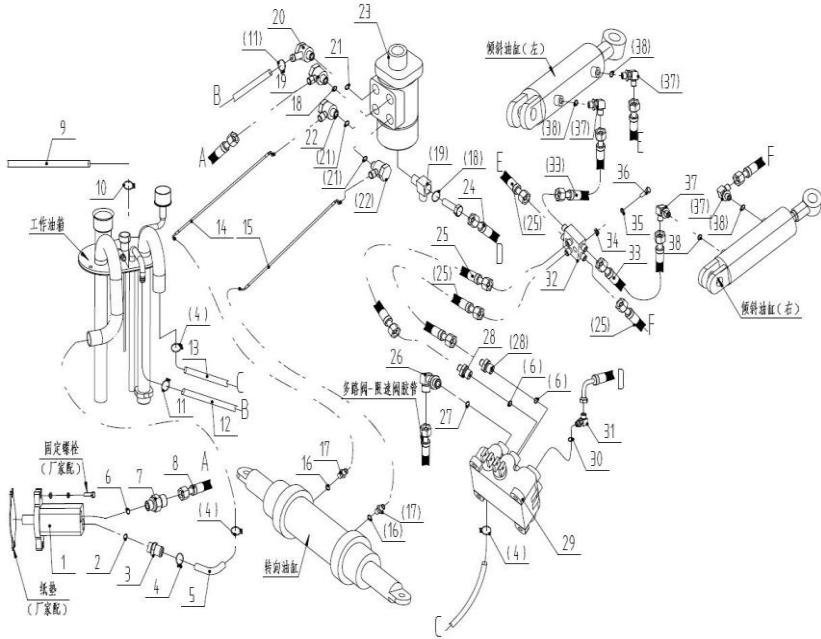


图25/Fig. 25

液压系统 (一) /Hydraulic system

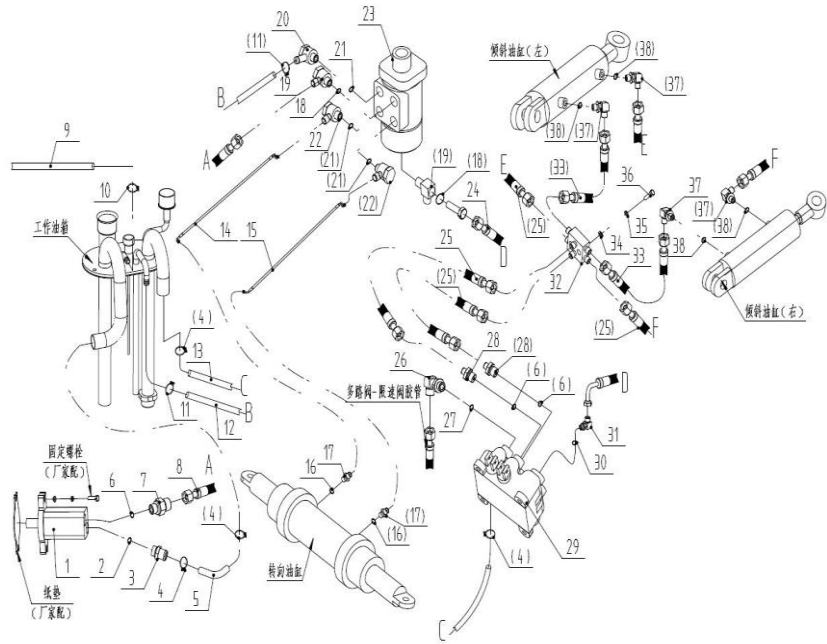
FB13S-MJZ

序号	物料ID	代号	名称	数量	备注
----	------	----	----	----	----

FB16S-MJZ

FB18S-MJZ

FB20S-MJZ



Item No.	ID.	Part No.	Description	Q'ty	Remart
A	N/A	—	Hydraulic system	1	
20	69001419	MS1677602000	Hinge bolt II	1	
21	69000356	JB/T982-18	Combination washer 18	6	
22	69001418	MS1677601000	Hinge bolt I	2	
23	69093994	MS1677604000	Orbitrol	1	FB13-20S-MJZ/MJD
24	69003415	MS1677600013	Valve H.P. hose	1	
25	69001398	MS1677600006	Tilt cylinder hose (front)	5	
26	69003278	M3037601000	Valve connector (lifting cylinder)	1	
27	69124142	GB/T3452.1-17*2.65-G	O-ring 17*2.65	1	
28	69001303	M3037600012	Valve connector (tilting cylinder)	2	
29	69012310	M1577603100	Multi-way valve	1	FB13-18S-MJZ/MJD(二联)
—	69012061	M1577603200	Multi-way valve	1	FB13-18S-MJZ/MJD(三联)
—	69012062	M1577603300	Multi-way valve	1	FB13-18S-MJZ/MD(四联)
—	69012311	M2577604100	Multi-way valve	1	FB20S-MJZ/MD(二联)
—	69010588	M2577604200	Multi-way valve	1	FB20S-MJZ(三联)
—	69012063	M2577604300	Multi-way valve	1	FB20S-MJZ(四联)
30	69124144	GB/T3452.1-19*2.65-G	O-ring 19*265	1	
31	69003137	M3077601000	Valve inlet connector	1	
32	69001438	M2577601000	Six-way	1	
33	69001399	MS1677600007	Tilt cylinder hose (rear)	1	
34	69000112	GB/T6170-M8-8J	Nut M8	2	
35	69000062	GB/T93-8	Washer 8	2	
36	69000200	GB/T5783-M8*25-8.8J	Bolt M8*25	2	

图25/Fig. 25

液压系统(一)/Hydraulic system

FB13S-MJZ

FB16S-MJZ

FB18S-MJZ

FB20S-MJZ



序号 Item No.	物料ID ID.	代号 Part No.	名称 Description	数量 Q'ty	备注 Remart
A	N/A	—	Hydraulic system	1	
37	69003277	M3037602000	Tilt cylinder connector	4	
38	69123707	GB1235-11.2*2.4-G	O-ring 11.2*2.4	4	
39	69001504	M3037600021	Steering cylinder connector	2	三联
—	69001504	M3037600021	Steering cylinder connector	4	四联

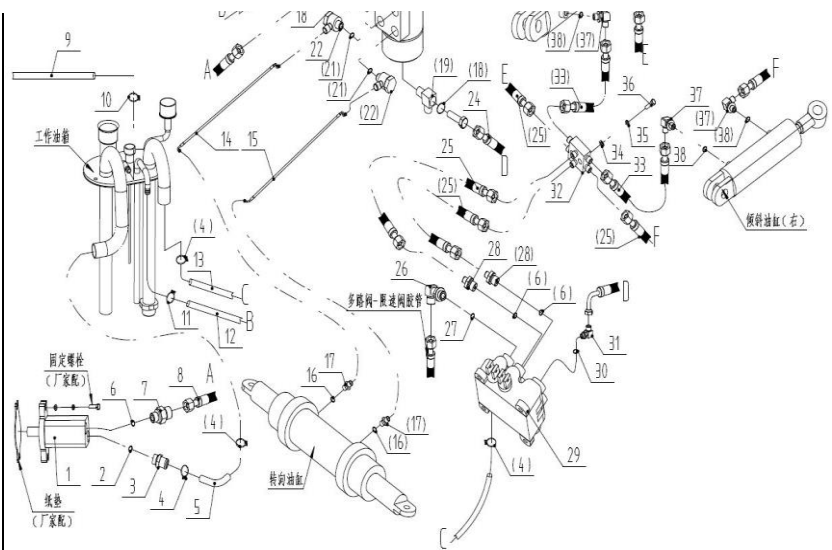
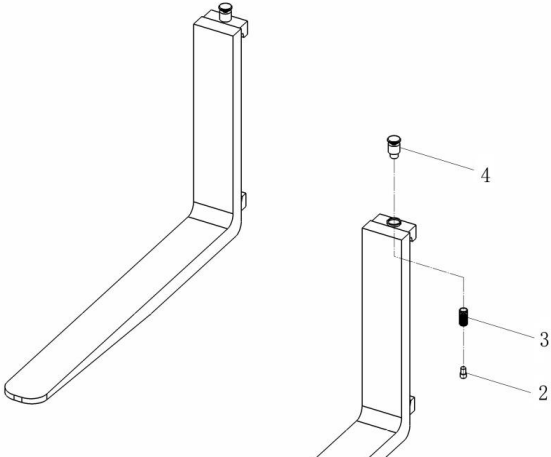


图25/fig. 25

货叉/Fork

- FB13S-MJZ
- FB16S-MJZ
- FB18S-MJZ
- FB20S-MJZ

序号 Item No.	物料号 ID.	代号 Part No.	名称 Description	数量 Q'ty	备注 Remart
1	N/A	M1538003000	Fork ass'y	2	
2	69141827	M1538003001	Positioning pin	2	
3	69141828	M1538003002	Spring	2	
4	N/A	M1538003003-3	Handle	2	



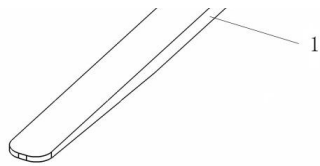


图25/ Fig. 25

货叉/Fork

FB13S-MJZ
 FB16S-MJZ
 FB18S-MJZ
 FB20S-MJZ

货叉选用表 Fork optional parts

长度LEN GTH	物料号 ID.	货叉代号 PART NO.		备注 REMARK
		1.6T		
920	69110625	M15380-HC-32*920-Black		
1070	69110634	M15380-HC-32*1070-Black		
1220	69110632	M15380-HC-32*1220-Black		
1370	69110631	M15380-HC-32*1370-Black		
1520	69110630	M15380-HC-32*1520-Black		Standard/标准
1820	69110627	M15380-HC-32*1820-Black		

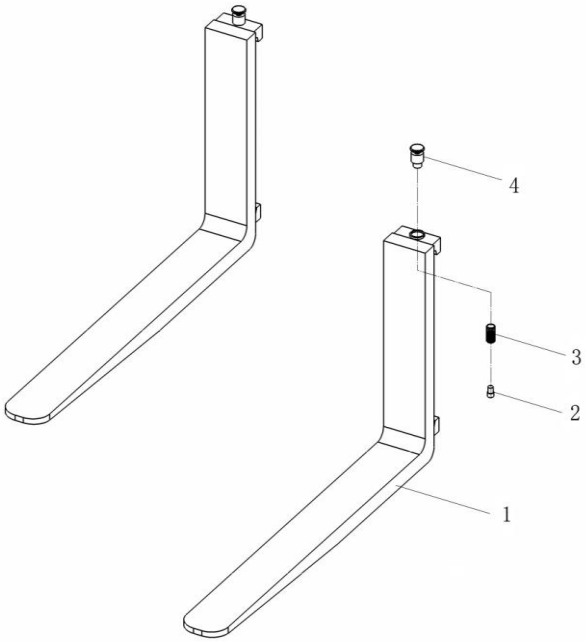
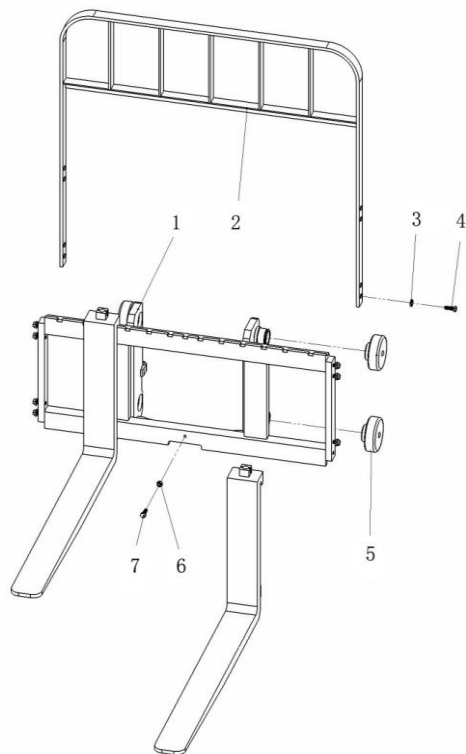


图26/Fig. 26

货叉架 (基本型) /LIFT BRACKET(NORMAL MAST M)

FB13S-MJZ
FB16S-MJZ
FB18S-MJZ
FB20S-MJZ

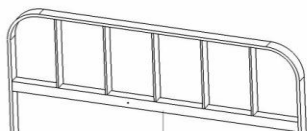


序号 Item No.	物料号 ID.	代号 Part No.	名称 Description	数量 Q'ty	备注 Remart
1	N/A	M1538005000	Fork carriage	1	
2	69112176	M1538002000/0.97-Black	Backrest	1	
3	69005111	GB/T93-14	Washer 14	8	
4	69000159	GB/T5786-M14*1.5*30-8.8J	Bolt M14x1.5x30	8	
5	69007470	15S02-02005	Combination roller	4	配140槽钢
-	69085543	15S02-02005A	Combination roller	4	配14C槽钢
6	69000103	GB/T6170-M10-8J	Nut M10	1	
7	69038580	GB/T5786-M14*1.5*25-8.8J	Bolt M10x30	1	

图27/Fig. 27

货叉架 (二级全自由) /LIFT BRACKET(FULL FREE 2-STAGE MAST ZM)

FB13S-MJZ
FB16S-MJZ
FB18S-MJZ
FB20S-MJZ



序号 Item No.	物料号 ID.	代号 Part No.	名称 Description	数量 Q'ty	备注 Remart
1	N/A	MS16043002000	Fork carriage	1	
2	69112176	M1538002000/0.97-Black	Backrest	1	
3	69005111	GB/T93-14	Washer 14	8	
4	69000159	GB/T5786-M14*1.5*30-8.8J	Bolt M14x1.5x30	8	
5	69007470	15S02-02005	Combination roller	4	配140槽钢

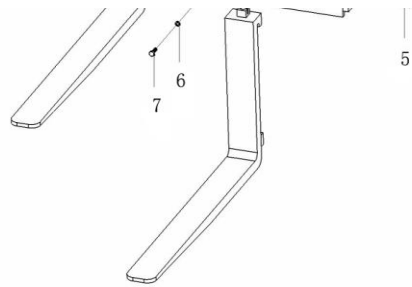


图29/Fig. 29

门架(基本型)/MAST(NORMAL MAST M)

FB13S-MJZ FB16S-MJZ FB18S-MJZ FB20S-MJZ	序号 Item No.	物料号 ID.	代号 Part No.	名称 Description	数量 Q'ty	备注 Remart
	1	N/A	MS1678004000	Outer mast ass'y	1	140槽钢
	-	N/A	MS1678004000A	Outer mast ass'y	1	14C槽钢
	2	69009498	M3038000004/0.5	Adjusting shim set		
	3	69020280	M1538000003	Slipper	2	配140槽钢
	-	69085545	M1538000003A	Slipper	2	配14C槽钢
	4	69024917	GB/T5786-M10*1.25*45-8.8J	Bolt M10x1.25x45	4	
	5	69000053	GB/T93-10	Washer 10	4	
	6	69000250	GB/T97.1-10	Washer 10	4	
	7	69005548	M1538012000	Side roller	2	
	8	69068137	M3038000012/18	Washer	4	
	9	69012066	M3038000006/0.5	Adjusting shim set	4组	
	10	69005550	M1538011000	Roller	2	(180707K)
	11	69005095	GB/T894.1-Φ35	Snap spring35	2	
	12	N/A	MS1678003000	Inner mast ass'y	1	140槽钢 AS NEEDED
	-	N/A	MS1678003000A	Inner mast ass'y	1	14C槽钢 AS NEEDED
	13	69007470	15S02-02005	Combination roller	4	配140槽钢
	-	69085543	15S02-02005A	Combination roller	4	配14C槽钢
	14	69000123	GB/T5783-M10*20-8.8J	Bolt M10x20	2	
	15	69000053	GB/T93-10	Washer 10	2	
	16	69000250	GB/T97.1-10	Washer 10	2	
	17	69026737	M1538014000	Pin shaft	2	

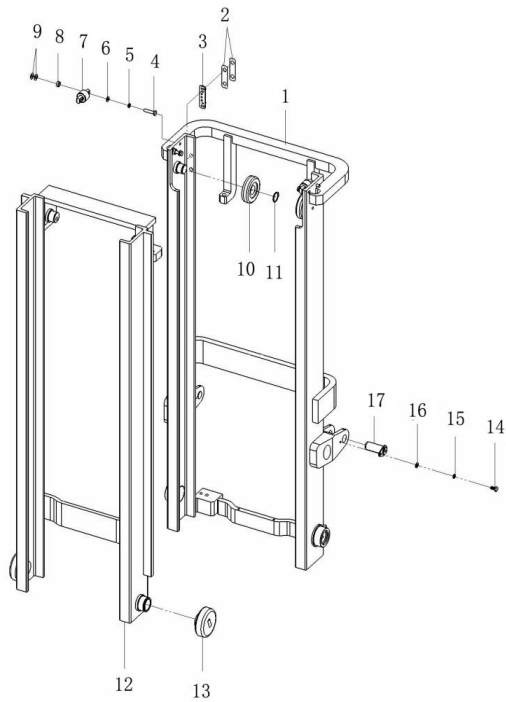
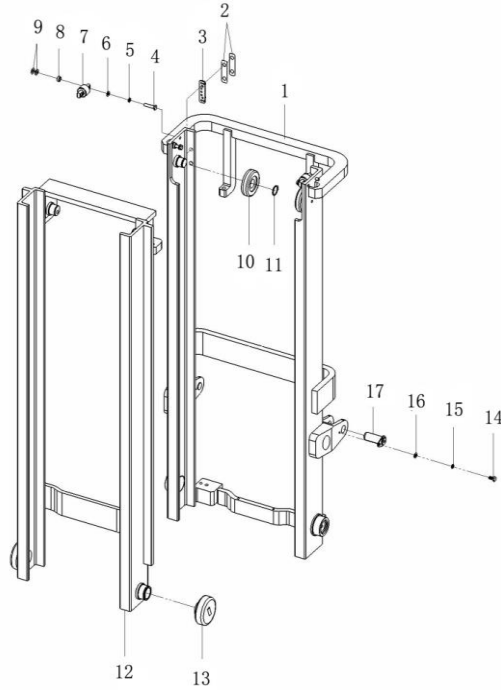


图29/Fig. 29

门架(基本型)/MAST(NORMAL MAST M)

FB13S-MJZ
 FB16S-MJZ
 FB18S-MJZ
 FB20S-MJZ



门架选用表 Mast Optional Parts

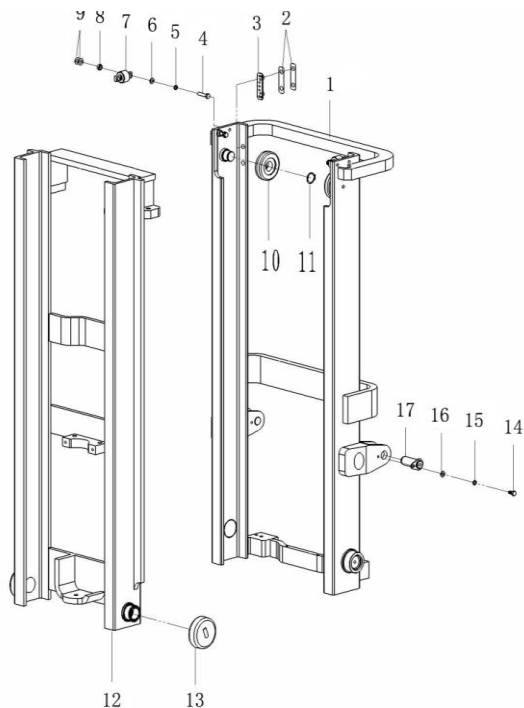
起升高度 IFTING HEIGHT	物料号	外门架总成	物料号	备注 REMARK
	ID.	OUTER MAST	ID.	
2000	69104282	MS1678004000A-2.0M-Black	69104227	
2500	69104283	MS1678004000A-2.5M-Black	69104229	
2700	69104284	MS1678004000A-2.7M-Black	69104230	
3000	69104285	MS1678004000A-3.0M-Black	69104232	Standard/标准
3300	69104286	MS1678004000A-3.3M-Black	69104234	
3500	69104287	MS1678004000A-3.5M-Black	69104235	
3700	69104288	MS1678004000A-3.7M-Black	69104237	
4000	69104289	MS1678004000A-4.0M-Black	69104239	
4500	69104290	MS1678004000A-4.5M-Black	69104241	
5000	69104291	MS1678004000A-5.0M-Black	69104243	
5500	69104292	MS1678004000A-5.5M-Black	69104244	
6000	69104293	MS1678004000A-6.0M-Black	69104245	

图30/Fig. 30

门架(二级全自由)(一)/MAST(FULL FREE 2-STAGE MAST ZM) (I)

FB13S-MJZ
 FB16S-MJZ
 FB18S-MJZ
 FB20S-MJZ

序号 Item No.	物料号 ID.	代号 Part No.	名称 Description	数量 Q'ty	备注 Remart
1	N/A	MS16043004000	Outer mast ass'y	1	140槽钢 AS NEEDED
-	N/A	MS16043004000A	Outer mast ass'y	1	14C槽钢 AS NEEDED
2	69009498	M3038000004/0.5	Adjusting shim set	AR	



3	69020280	M1538000003	Slipper	2	配140槽钢
-	69085545	M1538000003A	Slipper	2	配14C槽钢
4	69024917	GB/T5786-M10*1.25*45-8.8J	Bolt M10x1.25x45	4	
5	69000053	GB/T93-10	Washer 10	4	
6	69000250	GB/T97.1-10	Washer 10	4	
7	69005548	M1538012000	Side roller	2	
8	69068137	M3038000012/18	Washer	4	
9	69012066	M3038000006/0.5	Adjusting shim set II	4组	
10	69005550	M1538011000	Roller	2	(180707K)
11	69005095	GB/T894.1-Φ35	Snap spring35	2	
12	N/A	MS16043003000	Inner mast ass'y	1	140槽钢 AS NEEDED
-	N/A	MS16043003000A	Inner mast ass'y	1	14C槽钢 AS NEEDED
13	69007470	15S02-02005	Combination roller	4	配140槽钢
-	69085543	15S02-02005A	Combination roller	4	配14C槽钢
14	69000123	GB/T5783-M10*20-8.8J	Bolt M10x20	2	
15	69000053	GB/T93-10	Washer 10	2	
16	69000250	GB/T97.1-10	Washer 10	2	
17	69026737	M1538014000	Pin shaft	2	

图30/Fig. 30

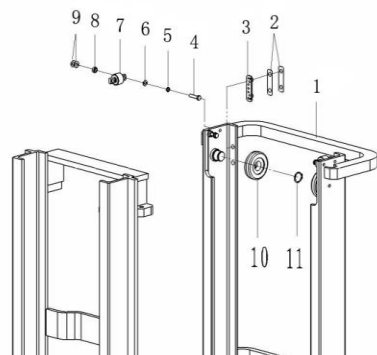
门架(二级全自由) (一) /MAST(FULL FREE 2-STAGE MAST ZM) (I)

FB13S-MJZ

FB16S-MJZ

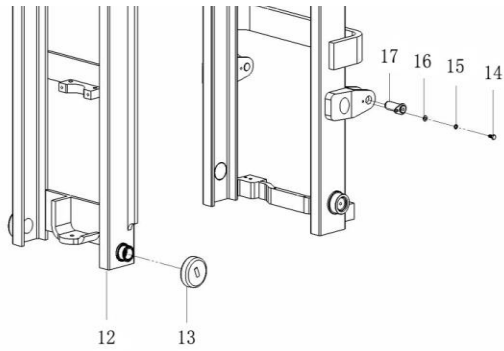
FB18S-MJZ

FB20S-MJZ



门架选用表 Mast Optional Parts

起升高度 IFTING HEIGHT	物料号	外门架总成	物料号	备注	REMARK
	ID.	OUTER MAST	ID.		
2000	69104260	MS16043004000A-2.0M-Black	69104203		
2500	69104261	MS16043004000A-2.5M-Black	69104204		
2700	69104262	MS16043004000A-2.7M-Black	69104205		
3000	69104263	MS16043004000A-3.0M-Black	69104206		
3300	69104264	MS16043004000A-3.3M-Black	69104207		
3500	69104265	MS16043004000A-3.5M-Black	69104208		
3700	69104266	MS16043004000A-3.7M-Black	69104209		
4000	69104267	MS16043004000A-4.0M-Black	69104210		
4500	69104268	MS16043004000A-4.5M-Black	69104211		
5000	69104269	MS16043004000A-5.0M-Black	69104212		

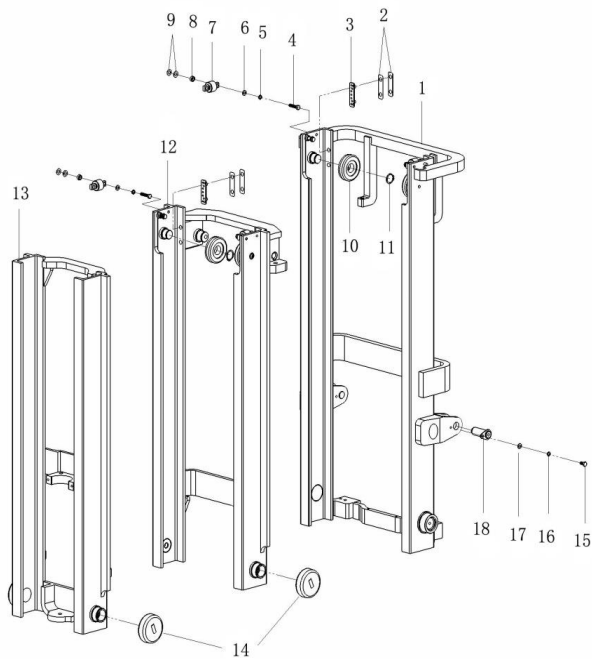


5500	69104270	MS16043004000A-5.5M-Black	69104213	
6000	69104271	MS16043004000A-6.0M-Black	69104214	

图31/Fig. 31

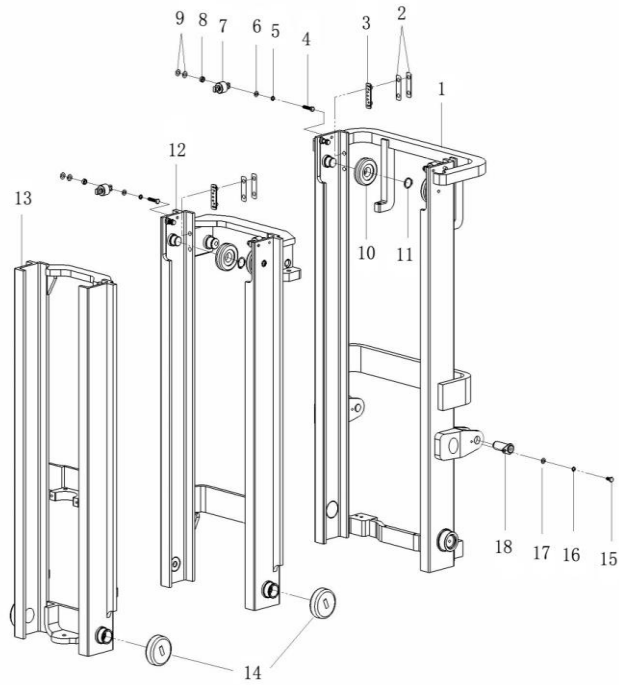
门架(三级全自由) (一) /MAST(FULL FREE 3-STAGE MAST ZM) (I)

FB13S-MJZ
FB16S-MJZ
FB18S-MJZ
FB20S-MJZ



序号 Item No.	物料号 ID.	代号 Part No.	名称 Description	数量 Q'ty	备注 Remart
1	N/A	MS16074005000	Outer mast ass'y	1	140槽钢 AS NEEDED
-	N/A	MS16074005000A	Outer mast ass'y	1	14C槽钢 AS NEEDED
2	69009498	M3038000004/0.5	Adjusting shim set	AR	
3	69020280	M1538000003	Slipper	4	配140槽钢
-	69085545	M1538000003A	Slipper	4	配14C槽钢
4	69024917	GB/T5786-M10*1.25*45-8.8J	Bolt M10x1.25x45	8	
5	69000053	GB/T93-10	Washer 10	8	
6	69000250	GB/T97.1-10	Washer 10	8	
7	69005548	M1538012000	Side roller	4	(CN-2)
8	69068137	M3038000012/18	Washer	8	
9	69012066	M3038000006/0.5	Adjusting shim set II	8组	
10	69005550	M1538011000	Roller	4	(180707K)
11	69005095	GB/T894.1-Φ35	Snap spring35	4	
12	N/A	MS16074004000	Middle mast ass'y	1	140槽钢 NSS
-	N/A	MS16074004000A	Middle mast ass'y	1	14C槽钢 NSS
13	N/A	MS16074003000	Inner mast ass'y	1	140槽钢 NSS
-	N/A	MS16074003000A	Inner mast ass'y	1	14C槽钢 NSS
14	69007470	15S02-02005	Combination roller	4	配140槽钢
-	69085543	15S02-02005A	Combination roller	4	配14C槽钢

FB20S-MJZ



3600	69104217	MS16074003000A-3.6M-Black	
4000	69104218	MS16074003000A-4.0M-Black	
4350	69104219	MS16074003000A-4.35M-Black	
4500	69104220	MS16074003000A-4.5M-Black	
4800	69104221	MS16074003000A-4.8M-Black	
5000	69104222	MS16074003000A-5.0M-Black	
5400	69104223	MS16074003000A-5.4M-Black	
5500	69104224	MS16074003000A-5.5M-Black	
6000	69104225	MS16074003000A-6.0M-Black	
6500	69104226	MS16074003000A-6.5M-Black	

图32/Fig. 32

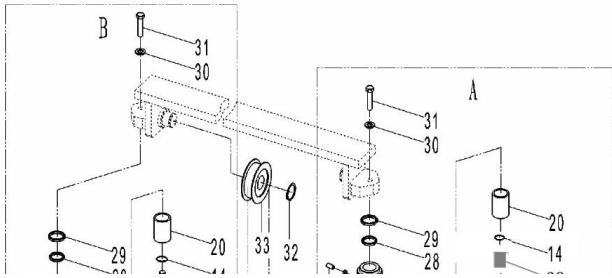
起升油缸(基本型)(一)/LIFT CYLINDER(NORMAL MAST M) (I)

FB13S-MJZ

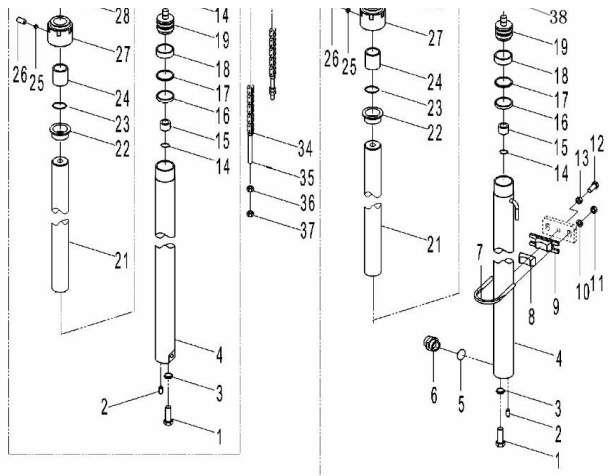
FB16S-MJZ

FB18S-MJZ

FB20S-MJZ



序号	物料号	代号	名称	数量	备注
Item No.	ID.	Part No.	Description	Q'ty	Remart
A	N/A	M1538009000	Lift cylinder(right)	1	NSS
B	N/A	M1538006000	Lift cylinder(left)	1	NSS
1	69000137	GB/T5786-M12*1.25*25-8.8J	Bolt	2	
2		GB/T119-10*25	Pin	2	
3	69000054	GB/T93-12	Washer	2	12.08.18起
4	N/A	M152J01-100	Cylinder body	2	13.09.12起 NSS
5	69124131	GB1235-22*2.4-G	O-ring	1	
6	69135383	A20480-05100	Safety valve	1	
7	69011293	M1538000005	Hoop	2	

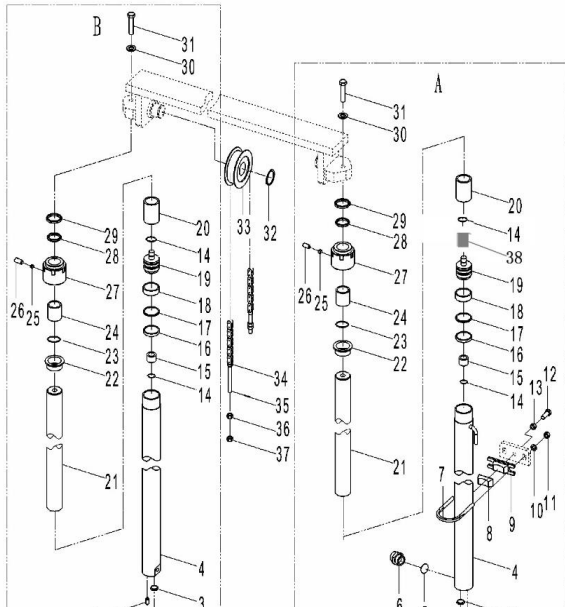


8	69012173	M303800008	Rubber pad	2	
9	69012172	M153800007	Hoop seat	2	
10	69000250	GB/T97.1-10	Washer	4	
11	69000313	GB/T6171-M10*1.25-8J	Nut	4	
12	69000213	GB/T5786-M12*1.25*30-8.8J	Bolt	2	
13	69000314	GB/T6171-M12*1.25-8J	Nut	2	
14	69137593	GB/T895.1-24	Snap spring	2	
15	69137579	M1538009001	Sleeve	2	
16	69137583	M1538009002	Packing	2	
17	N/A	φ45×φ35×3	Snap spring	2	NSS
18	69137587	M1538009003	Bearing ring	2	
19	69137580	M1538009004	Piston	2	
20	69137572	M1538009006	Sleeve	/As requirement	
21	N/A	M152J01-1	Piston rod	2	NSS

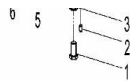
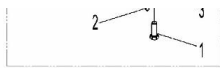
图32/Fig. 32

起升油缸(基本型)(一)/LIFT CYLINDER(NORMAL MAST M) (I)

FB13S-MJZ
 FB16S-MJZ
 FB18S-MJZ
 FB20S-MJZ



序号 Item No.	物料号 ID.	代号 Part No.	名称 Description	数量 Q'ty	备注 Remart
22	69045601	TLC-15T06	Bushing	2	
23	N/A	P50	O-ring	2	NSS
24	N/A	SF-1	Bushing bearing	2	NSS
25	69135454	A30480-06014	Nlyon pad	2	
26	69008637	GB/T77-M8*8-12.9J	Screw	2	
27	69137578	M1538009005	Cylinder cap	2	
28	69135419	A30480-05010	Packing	2	
29	69084681	40Z80D-00009	Dust proof seal	2	
30	69005111	GB/T93-14	Washer	2	
31	69033319	GB/T5786-M14*1.5*35-8.8J	Bolt	2	
32	69000070	GB/T894.1-Φ40	Snap spring	2	13.09.12起
33	69003517	M1538013000	Chain roller	2	
34	N/A	M1538001000	Chain	2	13.10.14起 AS NEEDED
35	69137567	GB/T91-3.2*30	Cotter pin	4	
36	69137588	M1538001001	Nut	4	13.09.12起
37	69000316	GB/T6171-M14*1.5-8J	Nut	4	
38	69135384	A20480-05200	Spool	2	



(780708K1)

图32/Fig. 32

起升油缸(基本型)(一)/LIFT CYLINDER(NORMAL MAST M) (I)

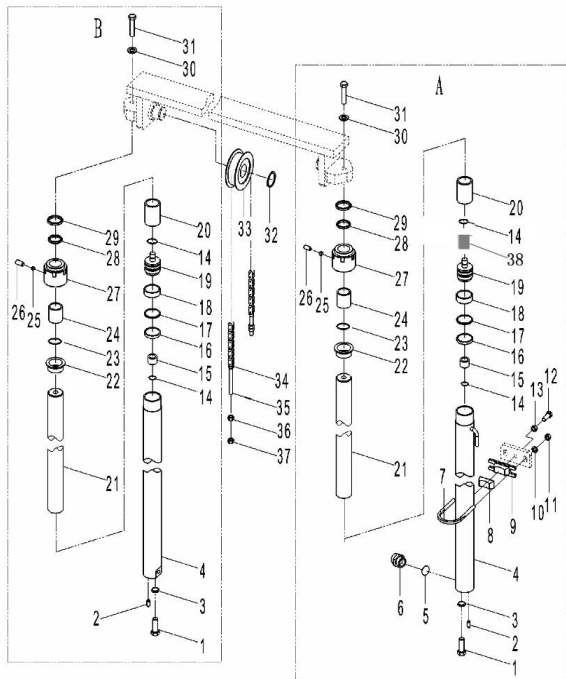
FB13S-MJZ

FB16S-MJZ

FB18S-MJZ

FB20S-MJZ

起升油缸选用表 LIFT CYLINDER OPTION TABLE



起升高度 IFTING HEIGHT	物料号 ID.	左起升油缸 Lift cylinder L. H.	物料号 ID.	备注 REMARK
2000	69048354	M1538006000-2.0M	69103490	
2500	69048355	M1538006000-2.5M	69103492	
2700	69048356	M1538006000-2.7M	69103500	
3000	69006176	M1538006000-3.0M	69102426	Standard/标准
3300	69005805	M1538006000-3.3M	69102425	
3500	69009846	M1538006000-3.5M	69102625	
3700	69009322	M1538006000-3.7M	69102455	
3860	69076979	M1538006000-3.86M	69105188	
4000	69002877	M1538006000-4.0M	69102418	
4250	69049317	M1538006000-4.25M	69103516	
4500	69009168	M1538006000-4.5M	69102452	
4750	69049318	M1538006000-4.75M	69103517	
5000	69048352	M1538006000-5.0M	69103479	
5500	69041114	M1538006000-5.5M	69103231	
6000	69048353	M1538006000-6.0M	69103482	

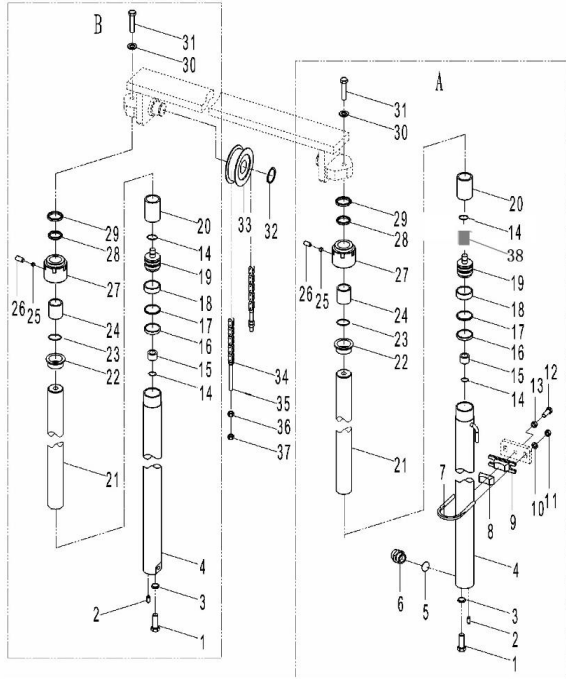
图32/Fig. 32

起升油缸(基本型)(一)/LIFT CYLINDER(NORMAL MAST M) (I)

FB13S-MJZ

起升油缸选用表 LIFT CYLINDER OPTION TABLE

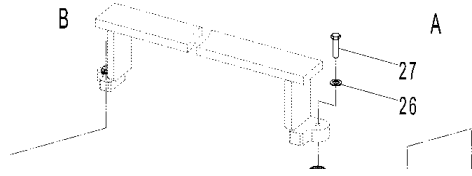
FB16S-MJZ
 FB18S-MJZ
 FB20S-MJZ



起升高度 IFTING HEIGHT	物料号 ID.	链条总成 Chain Ass'y	备注 REMARK
2000	69117735	MS1678001000-2.0	
2500	69117736	MS1678001000-2.5	
2700	69117737	MS1678001000-2.7	
3000	69117738	MS1678001000-3.0	Standard/标准
3300	69117739	MS1678001000-3.3	
3500	69117740	MS1678001000-3.5	
3700	69117742	MS1678001000-3.7	
4000	69117743	MS1678001000-4.0	
4500	69117745	MS1678001000-4.5	
5000	69117747	MS1678001000-5.0	
5500	69117748	MS1678001000-5.5	
6000	69117750	MS1678001000-6.0	

图33/Fig. 33 起升油缸(二级全自由) (一) /LIFT CYLINDER(FULL FREE 2-STAGE MAST ZM) (I)

FB13S-MJZ
 FB16S-MJZ
 FB18S-MJZ
 FB20S-MJZ

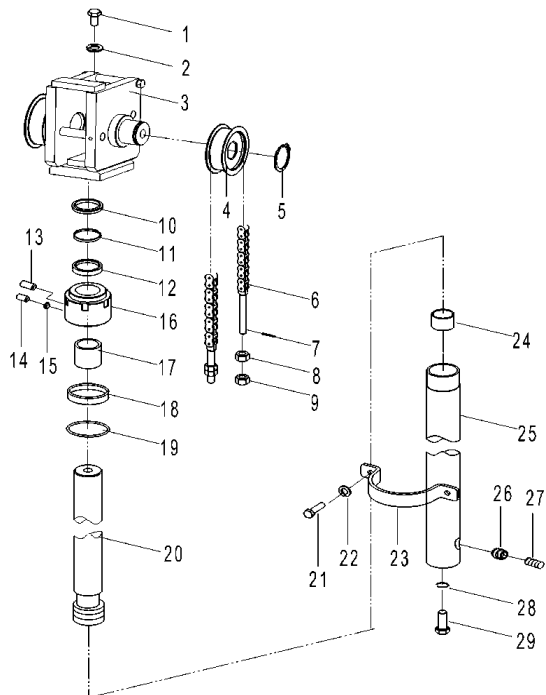


序号 Item No.	物料号 ID.	代号 Part No.	名称 Description	数量 Q'ty	备注 Remart
A	N/A	M15043006000	Lift cylinder(right)	1	
B	N/A	M15043003000	Lift cylinder(left)	1	
1	69000137	GB/T5786-M12*1.25*25-8.8J	Bolt M12x1.25x25	2	
2		GB/T119-10*25	Pin B10x25	2	
3	69000054	GB/T93-12	Washer 12	2	
4	N/A	M152J03-200	Cylinder body	2	NSS
5	69124131	GB1235-22*2.4-G	O-ring 22x2.4	1	

图34/Fig. 34

前起升缸(二级全自由) (一) /LIFT CYLINDER(FULL FREE 2-STAGE MAST ZM) (I)

FB13S-MJZ
FB16S-MJZ
FB18S-MJZ
FB20S-MJZ

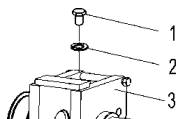


序号 Item No.	物料号 ID.	代号 Part No.	名称 Description	数量 Q'ty	备注 Remart
-	N/A	M15043008000	Middle cylinder	1	
1	69044008	GB/T5783-M16*55-8.8J	Bolt M16x55	1	
2	69000053	GB/T93-10	Washer 16	1	
3	69023541	M15043007000	Roller seat	1	
4	69003517	M1538013000	Chain roller	2	
5	69000070	GB/T894.1-Φ40	Snap spring 40	2	
6	N/A	M15043001000	Chain	2	AS NEEDED
7	69137567	GB/T91-3.2*30	Cotter pin 3.2x30	4	
8	69137588	M1538001001	Spherical nut M14x1.5	4	
9	69000316	GB/T6171-M14*1.5-8J	Nut M14x1.5	4	
10	69137590	M15043008001	Dust proof seal 70x80x6/8	1	
11	69135707	MJ30384-03006	Snap spring	1	
12	69135709	MJ30384-03008	Packing 70x80x6	1	
13	69137570	M15043008002	Plug ZG1/4"	1	内六角
14	69137568	GB/T80-M8*10	Plug M8x10	1	
15	69135454	A30480-06014	Nylon pad φ6x3	1	
16	69137578	M1538009005	Cylinder cap	1	
17	69137581	M15043008003	Bushing bearing	1	
18	69137589	M15043008004	Snap spring	1	
19	69022538	GB/T3452.1-90*3.55	O-ring 90x3.55	1	
20	N/A	M152J05-200A	Piston rod	1	NSS
21	69000123	GB/T5783-M10*20-8.8J	Bolt M10x20	2	
22	69000053	GB/T93-10	Washer 10	2	

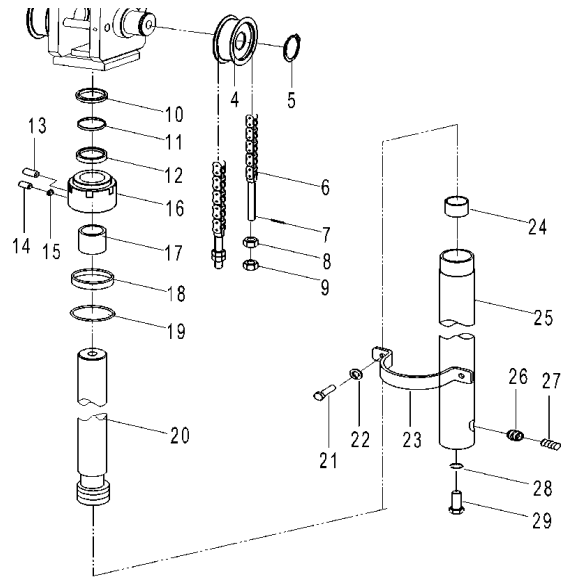
图34/Fig. 34

前起升缸(二级全自由) (一) /LIFT CYLINDER(FULL FREE 2-STAGE MAST ZM) (I)

FB13S-MJZ
FB16S-MJZ
FB18S-MJZ
FB20S-MJZ



序号 Item No.	物料号 ID.	代号 Part No.	名称 Description	数量 Q'ty	备注 Remart
23	69106448	M15043000001-Black	U-hoop	1	
24	69137585	M15043008005	Bearing ring	1	
25	N/A	M152J05-100	Cylinder body	1	NSS
26	69136236	TLC-15T12	Safety valve	1	
27	69072588	TLC-15T13	Spring	1	



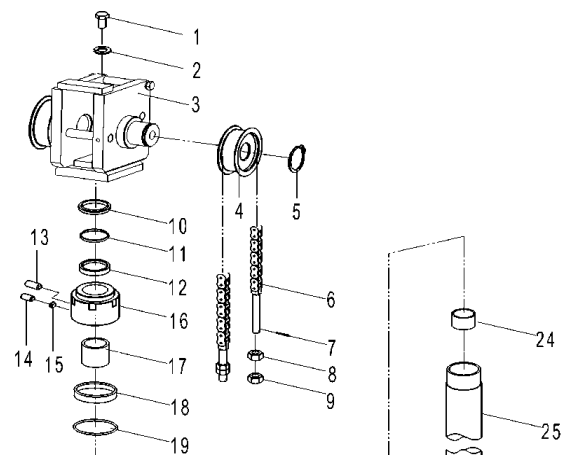
28	69000054	GB/T93-12	Washer 12	1
29	69000137	GB/T5786-M12*1.25*25-8.8J	Bolt M12x1.25x25	1

图34/Fig. 34

前起升缸(二级全自由) (一) /LIFT CYLINDER (FULL FREE 2-STAGE MAST ZM) (I)

- FB13S-MJZ
- FB16S-MJZ
- FB18S-MJZ
- FB20S-MJZ

前起升油缸选用表 FRONT LIFT CYLINDER OPTION TABLE



起升高度 IFTING HEIGHT	物料号 ID.	前起升油缸 Lift cylinder	物料号 ID.	备注 REMARK
2000	69048122	M15043008000-2.0M	69117699	
2500	69048142	M15043008000-2.5M	69117701	
2700	69048143	M15043008000-2.7M	69117702	
3000	69005371	M15043008000-3.0M	69117704	
3300	69006449	M15043008000-3.3M	69117706	
3500	69048144	M15043008000-3.5M	69117707	
3700	69048145	M15043008000-3.7M	69117711	
4000	69048146	M15043008000-4.0M	69117713	
4500	69048147	M15043008000-4.5M	69117715	
5000	69048149	M15043008000-5.0M	69117717	
5500	69048148	M15043008000-5.5M	69117718	
6000	69048150	M15043008000-6.0M	69117719	

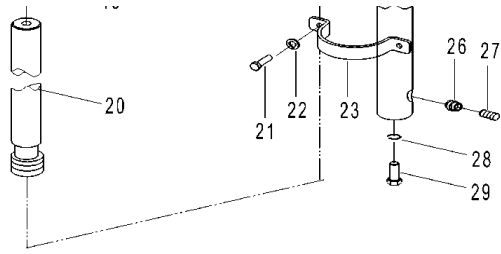
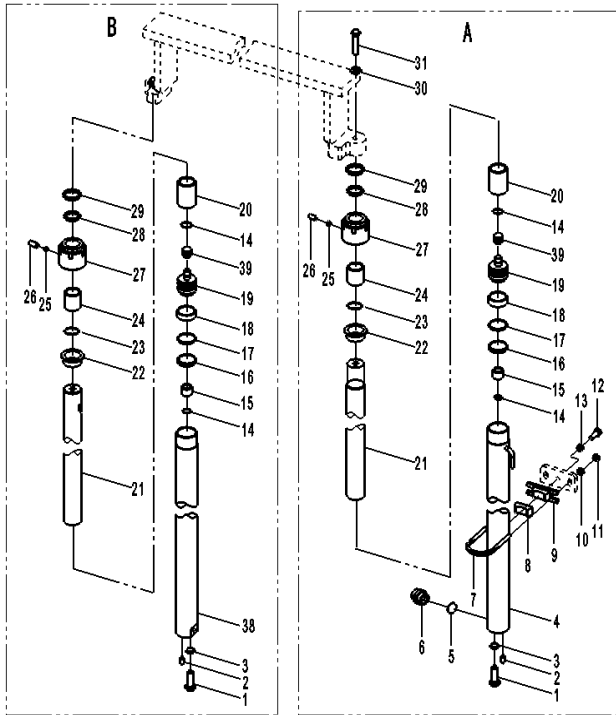


图35/Fig. 35

起升缸(三级全自由)(一)/LIFT CYLINDER(FULL FREE 3-STAGE MAST ZM) (I)

FB13S-MJZ
 FB16S-MJZ
 FB18S-MJZ
 FB20S-MJZ



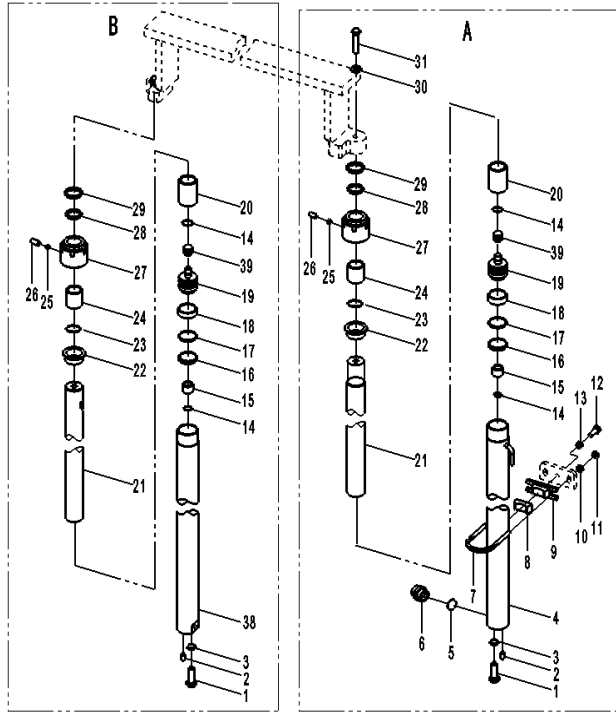
序号 Item No.	物料号 ID.	代号 Part No.	名称 Description	数量 Q'ty	备注 Remart
A	N/A	M15074006000	Lift cylinder(right)	1	
B	N/A	M15074007000	Lift cylinder(left)	1	12.08.18起
1	69000137	GB/T5786-M12*1.25*25-8.8J	Bolt	2	13.09.12起
2	69000337	GB/T119.2-Φ10*25	Pin 10x25	2	
3	69000054	GB/T93-12	Washer	2	12.08.18起
4	N/A	M152J03-200	Cylinder body (right)	2	13.09.12起 NSS
5	69124131	GB1235-22*2.4-G	O-ring	1	
6	69135383	A20480-05100	Safety valve	1	
7	69011293	M1538000005	Hoop	2	
8	69012173	M3038000008	Rubber pad	2	
9	69012172	M1538000007	Hoop seat	2	
10	69000250	GB/T97.1-10	Washer	4	
11	69000313	GB/T6171-M10*1.25-8J	Nut	4	
12	69000213	GB/T5786-M12*1.25*30-8.8J	Bolt	2	
13	69000314	GB/T6171-M12*1.25-8J	Nut	2	
14	69137593	GB/T895.1-24	Snap spring	4	
15	69137576	M15043006001	Sleeve	2	
16	69137583	M1538009002	Packing	2	
17	N/A	φ45×φ35×3	Snap spring	2	
18	69137587	M1538009003	Bearing ring	2	
19	69137580	M1538009004	Piston	2	

20	69137584	M15074006001	Sleeve	2	
21	N/A	Max153J01-1	Piston rod	2	NSS

图35/Fig. 35

起升缸(三级全自由)(一)/LIFT CYLINDER(FULL FREE 3-STAGE MAST ZM) (I)

FB13S-MJZ
FB16S-MJZ
FB18S-MJZ
FB20S-MJZ



序号 Item No.	物料号 ID.	代号 Part No.	名称 Description	数量 Q'ty	备注 Remart
22	69045601	TLC-15T06	Bushing	2	
23	69023163	GB/T1235-55*3.1	O-ring	2	
24	N/A	SF-1/φ35×φ39×30	Bushing bearing	2	
25	69135454	A30480-06014	Nlyon pad	2	
26	69136178	GB77-85	Screw	2	
27	69137578	M1538009005	Cylinder cap	2	
28	69135419	A30480-05010	Packing	2	
29		LS8947	Dust proof seal	2	
30	69000056	GB/T93-16	Spring washer 16	2	
31	69000184	GB/T5786-M16*1.5*35	Bolt	2	
32	69000070	GB/T894.1-Φ40	Snap spring	2	13.09.12起
33	69003517	M1538013000	Chain roller	2	
34	N/A	M15074001000	Chain	2	13.10.14起 AS NEEDED
35	69137567	GB/T91-3.2*30	Cotter pin	4	
36	69137588	M1538001001	Nut	4	13.09.12起
37	69000316	GB/T6171-M14*1.5-8J	Nut	4	
38	N/A	MAX153J01-1000	Cylinder body (left)	1	NSS
39	69135384	A20480-05200	One-way valve	2	

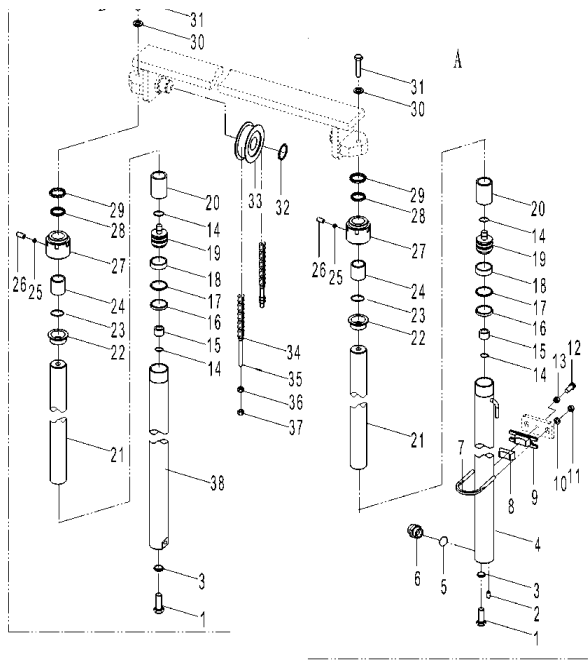
图35/Fig. 35

起升缸(三级全自由)(一)/LIFT CYLINDER(FULL FREE 3-STAGE MAST ZM) (I)

FB13S-MJZ
FB16S-MJZ
FB18S-MJZ
FB20S-MJZ

起升油缸选用表 LIFT CYLINDER OPTION TABLE

起升高度 IFTING HEIGHT	物料号 ID.	起升油缸左 Lift cylinder L. H.	物料号 ID.	备注 REMARK
3600	69048418	M15074007000-3.6M	69104787	
4000	69048416	M15074007000-4.0M	69103504	

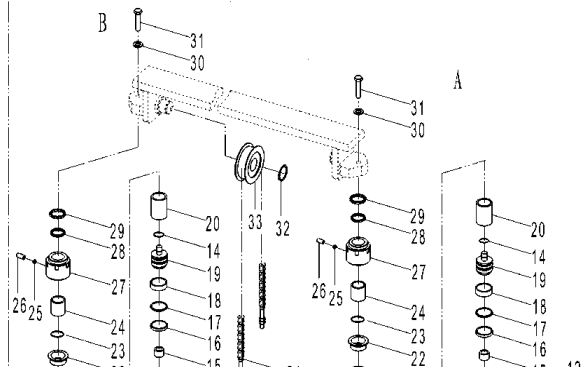


4350	69012038	M15074007000-4.35M	69102891	
4500	69006381	M15074007000-4.5M	69102427	
4800	69004872	M15074007000-4.8M	69102423	
5000	69007649	M15074007000-5.0M	69102436	
5400	69048417	M15074007000-5.4M	69103515	
5500	69002878	M15074007000-5.5M	69102419	
6000	69007651	M15074007000-6.0M	69102437	

图35/ Fig. 35 起升缸(三级全自由)(一)/LIFT CYLINDER(FULL FREE 3-STAGE MAST ZM) (I)

FB13S-MJZ
 FB16S-MJZ
 FB18S-MJZ
 FB20S-MJZ

起升油缸选用表 LIFT CYLINDER OPTION TABLE



起升高度 IFTING HEIGHT	物料号 ID.	(长) 链条总成 Chain Ass'y	备注 REMARK
3600	69117780	MS16074001000-3.6-1	
4000	69117781	MS16074001000-4.0-1	Standard/标准
4350	69117782	MS16074001000-4.35-1	
4500	69117783	MS16074001000-4.5-1	
4800	69117784	MS16074001000-4.8-1	
5000	69117785	MS16074001000-5.0-1	
5400	69117786	MS16074001000-5.4-1	
5500	69117787	MS16074001000-5.5-1	
6000	69117788	MS16074001000-6.0-1	

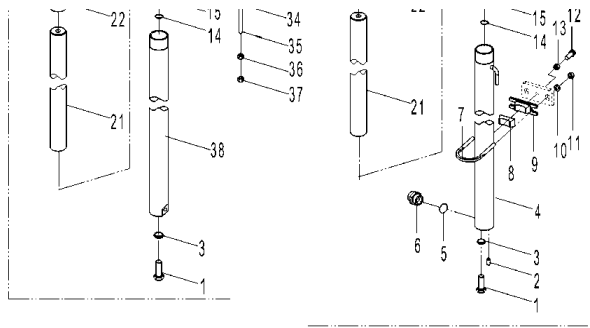


图36/Fig. 36

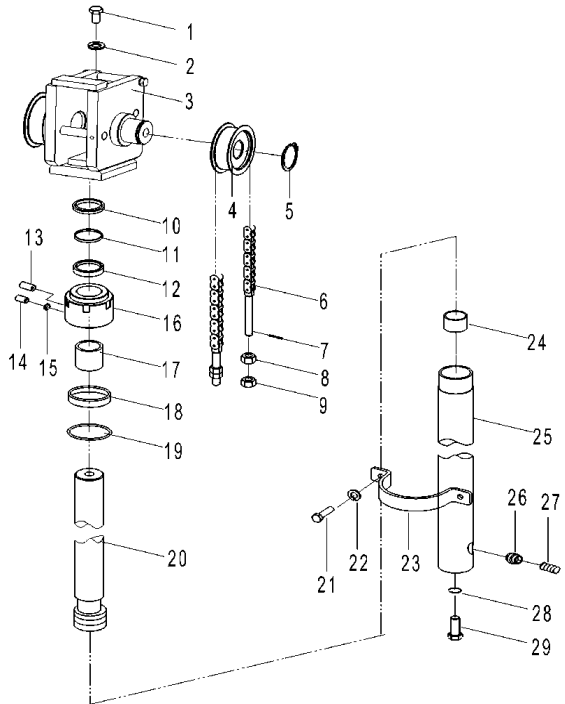
前起升缸(三级全自由) (一) /LIFT CYLINDER(FULL FREE 3-STAGE MAST ZM) (I)

FB13S-MJZ

FB16S-MJZ

FB18S-MJZ

FB20S-MJZ



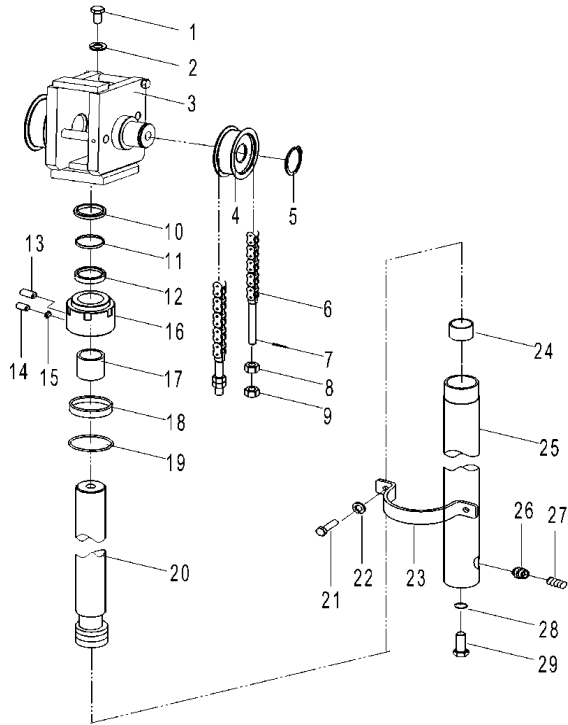
序号 Item No.	物料号 ID.	代号 Part No.	名称 Description	数量 Q'ty	备注 Remart
A	N/A	M15074009000	Middle cylinder	1	(Max153J03)
1	69044008	GB/T5783-M16*55-8.8J	Bolt M16x55	1	
2	69000056	GB/T93-16	Washer 16	1	
3	69014888	M15074008000	Roller seat	1	
4	69003517	M1538013000	Chain roller	2	
5	69000070	GB/T894.1-Φ40	Snap spring40	2	
6	69003517	M1538013000	Chain	2	(780708K1)AS NEEDED
7	69137567	GB/T91-3.2*30	Cotter pin 3.2x30	2	
8	69137588	M1538001001	Spherical nut M14x1.5	4	
9	69000316	GB/T6171-M14*1.5-8J	Nut M14x1.5	4	
10	69137590	M15043008001	Dust proof seal 70x80x6/8	1	
11	69135707	MJ30384-03006	Snap spring	1	
12	69135709	MJ30384-03008	Packing 70x80x6	1	
13	69137570	M15043008002	Plug ZG1/4"	1	
14	69136178	GB77-85	Bolt M8x8	1	内六角
15	69135454	A30480-06014	Nylon pad φ6x3	1	
16	69047957	TLC-15T09	Cylinder cap	1	
17	69137581	M15043008003	Bushing bearing	1	
18	69137589	M15043008004	Snap spring	1	

19	69022538	GB/T3452.1-90*3.55	O-ring 90x3.55	1	
20	N/A	Max153J03-200A	Piston rod	1	NSS
21	69032087	GB/T5786-M10*1.25*20-8.8J	Bolt M10x1.25x20	2	
22	69000053	GB/T93-10	Washer 10	2	

图36/Fig. 36

前起升缸(三级全自由) (一) /LIFT CYLINDER(FULL FREE 3-STAGE MAST ZM) (I)

FB13S-MJZ
FB16S-MJZ
FB18S-MJZ
FB20S-MJZ



序号 Item No.	物料号 ID.	代号 Part No.	名称 Description	数量 Q'ty	备注 Remart
23	69112801	M15074000001-Black	U-hoop	1	
24	69137585	M15043008005	Bearing ring	1	
25	N/A	MAX153J03-100	Cylinder body	1	NSS
26	69136236	TLC-15T12	Safety valve	1	
27	69072588	TLC-15T13	Spring	1	
28	69000137	GB/T5786-M12*1.25*25-8.8J	Bolt M12x1.25x25	1	
29	69000054	GB/T93-12	Washer 12	1	

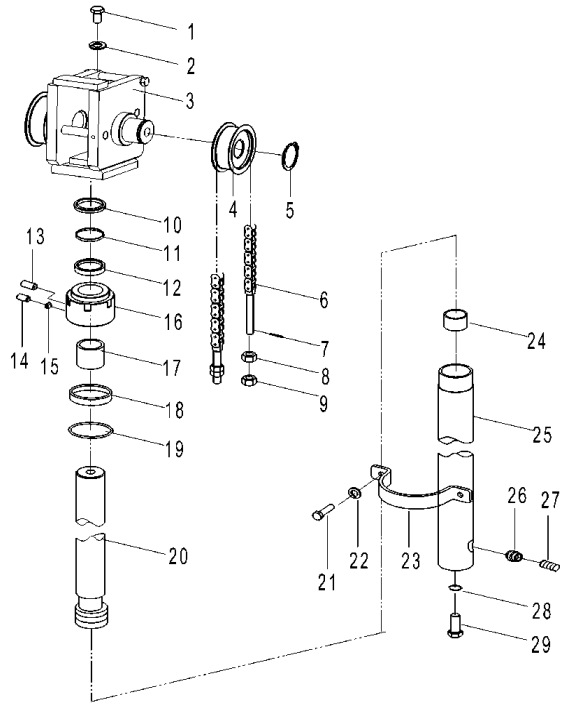
图36/Fig. 36

前起升缸(三级全自由) (一) /LIFT CYLINDER(FULL FREE 3-STAGE MAST ZM) (I)

FB13S-MJZ
FB16S-MJZ
FB18S-MJZ

前起升油缸选用表 FRONT LIFT CYLINDER OPTION TABLE					
起升高度 IFTING HEIGHT	物料号 ID.	前起升油缸 Lift cylinder	物料号 ID.	备注	REMARK

FB20S-MJZ



3600	69048420	M15074009000-3.6M	69117799	
4000	69049734	M15074009000-4.0M	69117798	Standard/标准
4350	69012039	M15074009000-4.35M	69117797	
4500	69002989	M15074009000-4.5M	69117796	
4800	69004873	M15074009000-4.8M	69117795	
5000	69002991	M15074009000-5.0M	69117794	
5400	69048419	M15074009000-5.4M	69117793	
5500	69002974	M15074009000-5.5M	69117792	
6000	69007950	M15074009000-6.0M	69117791	
6500	69026277	M15074009000-6.5M	69117790	

图37/Fig. 37

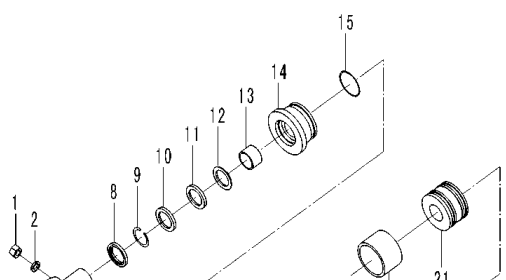
倾斜油缸 (一) /TILTING CYLINDER (I)

FB13S-MJZ

FB16S-MJZ

FB18S-MJZ

FB20S-MJZ

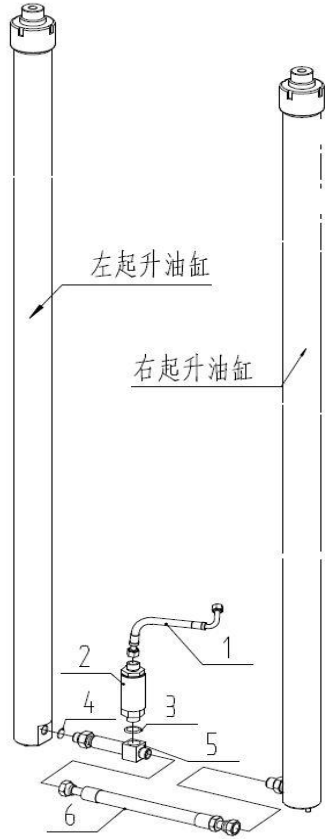


序号 Item No.	物料号 ID.	代号 Part No.	名称 Description	数量 Q'ty	备注 Remart
A	N/A	MS16780-01000A	Tilt cylinder	2	
1	69000315	GB/T6171-M12*1.5-8J	Nut	2	
2	69000054	GB/T93-12	Washer	2	
3	69003941	JB/T7940.1-M10*1	Nipple	2	
4	69139923	A15780-03001	Connect ring	2	
5	69135422	A30480-05013	Oscillating bearing	2	
6	69059825	GB/T893.1-Φ47	Clip spring	2	
7	69009383	GB/T5785 M12*1.5*40	Bolt	2	
8	69023257	LS23257	Dust proof seal	2	

FB16S-MJZ

FB18S-MJZ

FB20S-MJZ



Item No.	ID.	Part No.	Description	Q'ty	Remart
A	N/A	—	Mast hydraulic system	1	
1	69001400	16886-00001	Flow regulator H.P. hose I	1	
2	69002918	15386-01000	Flow regulator	1	
3	69022457	GB/T1235-24*2.4	O-ring 22*2.4	1	
4	69124142	GB/T3452.1-17*2.65-G	O-ring 17*2.65	1	
5	69016646	30386-01000	Lift cylinder tee connector	1	
6	69020534	15386-00001	H.P. hose	1	

图40/fig. 40

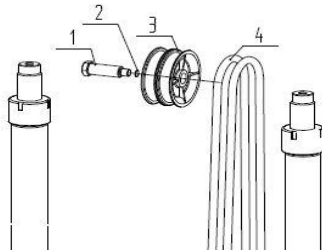
二级门架管路系统 (三联)/HYDRAULIC SYSTEM MAST(NORMAL MAST M) (3 spool valve)

FB13S-MJZ

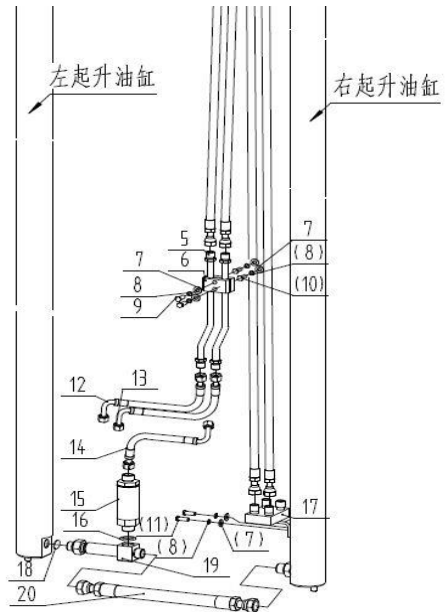
FB16S-MJZ

FB18S-MJZ

FB20S-MJZ



序号 Item No.	物料ID ID.	代号 Part No.	名称 Description	数量 Q'ty	备注 Remart
A	N/A	—	Mast hydraulic system	1	
1	69016660	30386S-00003	Step Bolt	1	
2	69000579	30386S-00004 (8)	Sleeve	3	
3	69016659	30386S-00002	Pulley	2	
4	N/A	30386S-01000	Pulley H.P. hose	2	AS NEEDED
5	69016675	30386S-02000	Adjusting pipe	2	
6	69066450	30386S-00001/B	Clip	1	



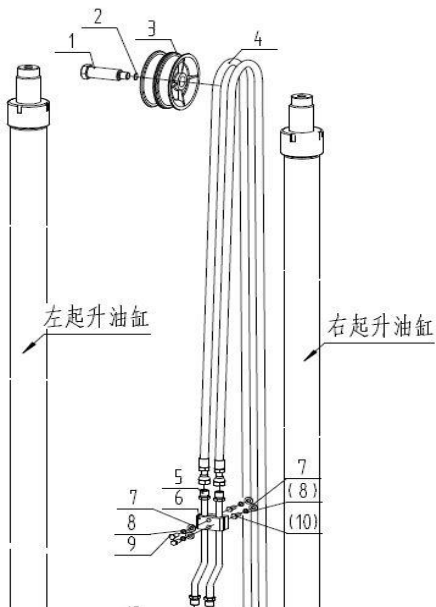
7	69000259	GB/T97. 1-8	Washer 8	7
8	69000062	GB/T93-8	Washer 8	7
9	69000203	GB/T5783-M8*30-8. 8J	Bolt M8*30	2
10	69000200	GB/T5783-M8*25-8. 8J	Bolt M8*25	2
11	69000309	GB/T5783-M8*16-8. 8J	Bolt M8*16	2
12	69016667	30386S-00007	Adjusting pipe H.P. hose III	1
13	69016668	30386S-00008	Adjusting pipe H.P. hose IV	1
14	69001400	16886-00001	Flow regulator H.P. hose I	1
15	69002918	15386-01000	Flow regulator	1
16	69022457	GB/T1235-24*2. 4	O-ring 24*2.4	1
17	69012313	30386S-03000	Cross connector I	1
18	69124142	GB/T3452. 1-17*2. 65-G	O-ring 17*2.65	1
19	69016646	30386-01000	Lift cylinder tee connector	1
20	69020534	15386-00001	H.P. hose	1

图40/Fig. 40

二级门架管路系统(三联)/HYDRAULIC SYSTEM MAST(NORMAL MAST M) (3 spool valve)

- FB13S-MJZ
- FB16S-MJZ
- FB18S-MJZ
- FB20S-MJZ

管路系统选用件-侧移胶管(件4)
Mast Piping Optional Parts



起升高度 LIFTING HEIGHT	PART-4		备注 REMARK
	ID.	30386S-01000 Lateral shift hose	
2000	69012995	30387S-01007	
2500	69017070	30386S-01003	
2700	69016786	30388S-02004	
3000	69016629	20388S-01007	
3300	69016650	30386S-01008	
3500	69016651	30386S-01009	
3700	69016652	30386S-01011	
3750	69017075	30386S-01012	
4000	69016653	30386S-01013	
4500	69016654	30386S-01015	
5000	69016655	30386S-01017	
5500	69016656	30386S-01018	
6000	69016657	30386S-01019	

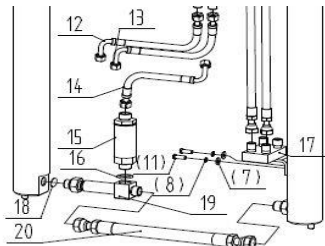


图41/Fig. 41

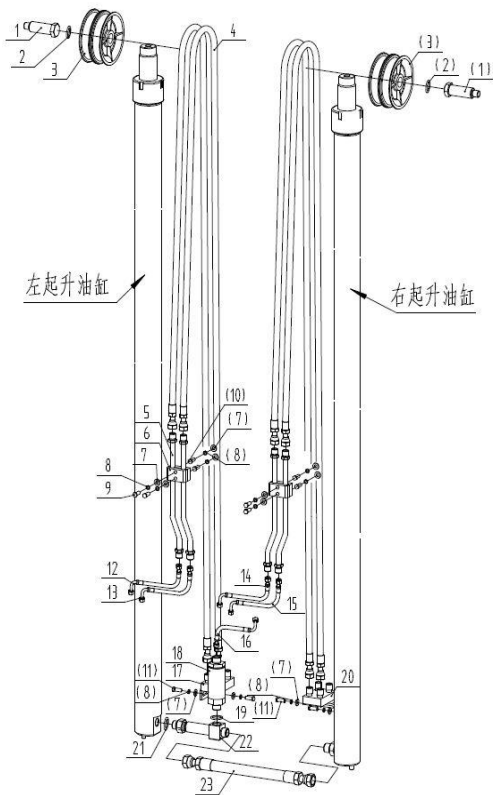
二级门架管路系统 (四联)/HYDRAULIC SYSTEM MAST(NORMAL MAST M) (4 spool valve)

FB13S-MJZ

FB16S-MJZ

FB18S-MJZ

FB20S-MJZ

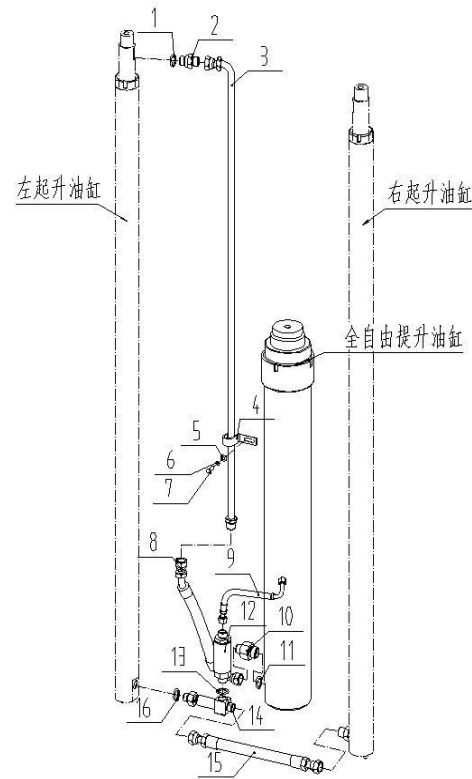


序号 Item No.	物料ID ID.	代号 Part No.	名称 Description	数量 Q'ty	备注 Remark
A	N/A	—	Mast hydraulic system	1	
1	69016660	30386S-00003	Step Bolt	2	
2	69000579	30386S-00004(8)	Sleeve	6	
3	69016659	30386S-00002	Pulley	4	
4	N/A	30386S-01000	Pulley H.P. hose	4	AS NEEDED
5	69016675	30386S-02000	Adjusting pipe	4	
6	69066450	30386S-00001/B	Clip	2	
7	69000259	GB/T97.1-8	Washer 8	12	
8	69000062	GB/T93-8	Washer 8	12	
9	69000203	GB/T5783-M8*30-8.8J	Bolt M8*30	4	
10	69000200	GB/T5783-M8*25-8.8J	Bolt M8*25	4	
11	69000309	GB/T5783-M8*16-8.8J	Bolt M8*16	4	
12	69016683	30386SS-00003	Adjusting pipe H.P. hose III	1	
13	69016795	30386SS-00004	Adjusting pipe H.P. hose I	1	
14	69016667	30386S-00007	Adjusting pipe H.P. hose III	1	
15	69016668	30386S-00008	Adjusting pipe H.P. hose IV	1	
16	69001400	16886-00001	Flow regulator H.P. hose	1	
17	69012312	30386SS-01000	Cross connector II	1	
18	69002918	15386-01000	Flow regulator	1	
19	69022457	GB/T1235-24*2.4	O-ring 24*2.4	1	
20	69012313	30386S-03000	Cross connector I	1	
21	69124142	GB/T3452.1-17*2.65-G	O-ring 17*2.65	1	
22	69016646	30386-01000	Lift cylinder tee connector	1	

	23	69020534	15386-00001	H.P. hose	1	
--	----	----------	-------------	-----------	---	--

图42/Fig. 42 二级全自由门架管路系统(二联)/HYDRAULIC SYSTEM MAST(FULL FREE 2-STAGE MAST ZM) (2 spool valve)

FB13S-MJZ
 FB16S-MJZ
 FB18S-MJZ
 FB20S-MJZ



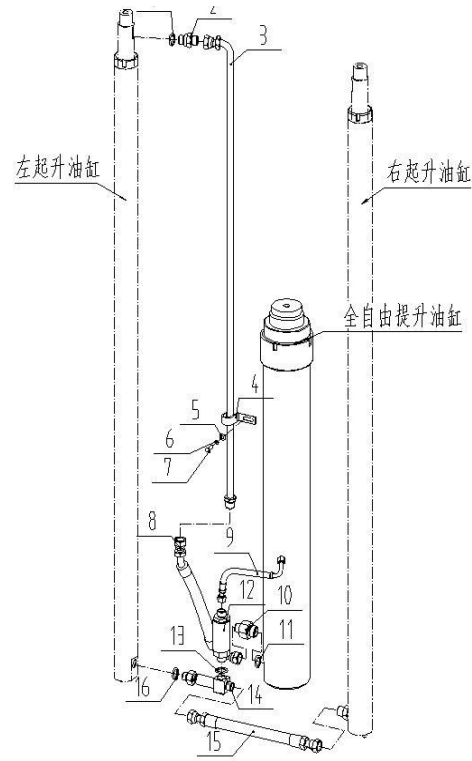
序号 Item No.	物料ID ID.	代号 Part No.	名称 Description	数量 Q'ty	备注 Remark
A	N/A	—	Mast hydraulic system	1	
1	69022457	GB/T1235-24*2.4	O-ring 24*2.4	1	
2	69001443	35387-00001	Lift cylinder connector	1	
3	N/A	30387-01000	Pipe ass'y	1	AS NEEDED
4	69016689	30387-00004	Pipe clip	1	
5	69000259	GB/T97.1-8	Washer 8	1	
6	69000062	GB/T93-8	Washer 8	1	
7	69000309	GB/T5783-M8*16-8.8J	Bolt M8*16	1	
8	69016686	30387-00001	Middle cylinder H.P. hose	1	
9	69001400	16886-00001	Flow regulator H.P. hose	1	
10	69012037	30387-00003	Middle cylinder connector	1	
11	69124132	GB1235-30*3.5-G	O-ring 30*3.5	1	
12	69002918	15386-01000	Flow regulator	1	
13	69124131	GB1235-22*2.4-G	O-ring 22*2.4	1	
14	69016646	30386-01000	Lift cylinder tee connector	1	
15	69020534	15386-00001	H.P. hose	1	
16	69124142	GB/T3452.1-17*2.65-G	O-ring 17*2.65	1	

图42/Fig. 42 二级全自由门架管路系统(二联)/HYDRAULIC SYSTEM MAST(FULL FREE 2-STAGE MAST ZM) (2 spool valve)

FB13S-MJZ
 FB16S-MJZ
 FB18S-MJZ
 FB20S-MJZ

管路系统选用件-硬管总成(件3)
 Mast Piping Optional Parts

起升高度 LIFTING HEIGHT	PART-3		备注 REMARK
	ID.	30387-01000 Pipe ass'y	
2000	69012923	30387-01000/1	



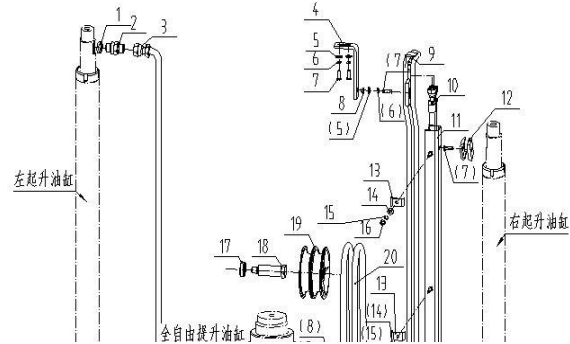
2500	69012924	30387-01000/2		
2700	69012925	30387-01000/3		
3000	69012926	30387-01000/4		
3300	69012927	30387-01000/5		
3500	69012928	30387-01000/6		
3700	69012930	30387-01000/8		
4000	69012931	30387-01000/9		
4500	69012933	30387-01000/11		
5000	69012935	30387-01000/13		
5500	69012936	30387-01000/14		
6000	69012937	30387-01000/15		

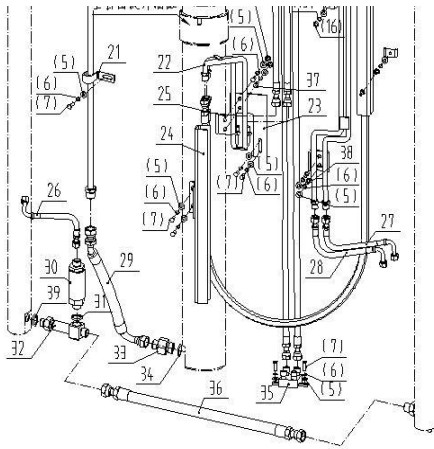
图43/Fig. 43

二级全自由门架管路系统(三联)/HYDRAULIC SYSTEM MAST(FULL FREE 2-STAGE MAST ZM) (3 spool valve)

- FB13S-MJZ**
- FB16S-MJZ**
- FB18S-MJZ**
- FB20S-MJZ**

序号 Item No.	物料ID ID.	代号 Part No.	名称 Description	数量 Q'ty	备注 Remark
A	N/A	—	Mast hydraulic system	1	
1	69022457	GB/T1235-24*2.4	O-ring 24*2.4	1	
2	69001443	35387-00001	Lift cylinder connector	1	
3	N/A	30387-01000	Pipe ass'y	1	AS NEEDED
4	69016706	30387S-00003	Positioning plate	1	
5	69000259	GB/T97.1-8	Washer 8	14	
6	69000062	GB/T93-8	Washer 8	14	
7	69000309	GB/T5783-M8*16-8.8J	Bolt M8*16	11	
8	69000112	GB/T6170-M8-8J	Nut M8	1	
9	N/A	15387S-01000	Guider pipe I	1	AS NEEDED
10	N/A	30387S-01000	Guider H.P. hose	2	AS NEEDED



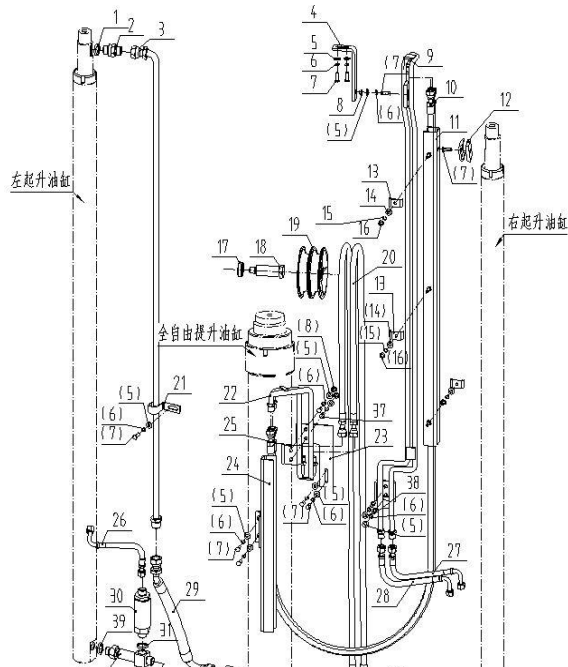


11	N/A	15387S-03000	Guider II	1	AS NEEDED
12	69056648	30387S-07001	Pipe clip	1	
-	69056702	30387S-07002	Pipe clip	1	
13	69016708	30387S-00004	Pipe clip II	3	
14	69000258	GB/T97.1-6	Washer 6	3	
15	69000060	GB/T93-6	Washer 6	3	
16	69000111	GB/T6170-M6-8J	Nut M6	3	
17	69000579	30386S-00004(8)	Sleeve	3	
18	69016660	30386S-00003	Step Bolt	1	
19	69016659	30386S-00002	Pulley	2	
20	N/A	16887S-01000	Middle cylinder hose	2	AS NEEDED
21	69016689	30387-00004	Pipe clip	1	

图43/ Fig. 43

二级全自由门架管路系统(三联)/HYDRAULIC SYSTEM MAST(FULL FREE 2-STAGE MAST ZM) (3 spool valve)

FB13S-MJZ
 FB16S-MJZ
 FB18S-MJZ
 FB20S-MJZ



序号 Item No.	物料ID ID.	代号 Part No.	名称 Description	数量 Q'ty	备注 Remark
A	N/A	—	Mast hydraulic system	1	
22	69015802	15387S-04000	Cross connector I	1	
23	69016705	30387S-00002	Cross connector fixed plate	1	
24	69046620	15387S-02000	Guider I	1	
25	69016703	30387S-00001	Plate	2	
26	69001400	16886-00001	Flow regulator H.P. hose	1	
27	69016667	30386S-00007	Adjusting pipe H.P. hose III	1	
28	69016668	30386S-00008	Adjusting pipe H.P. hose IV	1	
29	69016686	30387-00001	Middle cylinder H.P. hose	1	
30	69002918	15386-01000	Flow regulator	1	
31	69124131	GB1235-22*2.4-G	O-ring 22*2.4	1	
32	69016646	30386-01000	Lift cylinder tee connector	1	
33	69012037	30387-00003	Middle cylinder connector	1	
34	69124132	GB1235-30*3.5-G	O-ring 30*3.5	1	
35	69012712	30387S-08000	Cross connector II	1	
36	69020534	15386-00001	H.P. hose	1	
37	69000206	GB/T5783-M8*40-8.8J	Bolt M8*40	2	
38	69000218	GB/T5783-M8*60-8.8J	Bolt M8*60	2	
39	69124142	GB/T3452.1-17*2.65-G	O-ring 17*2.65	1	

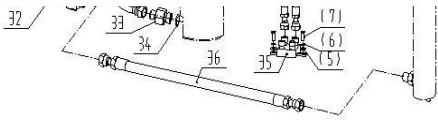
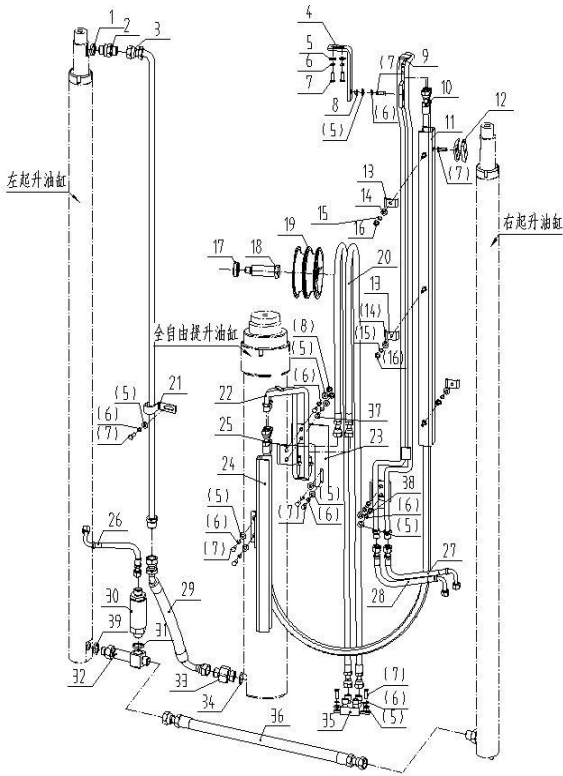


图43/fig. 43

二级全自由门架管路系统(三联)/HYDRAULIC SYSTEM MAST(FULL FREE 2-STAGE MAST ZM) (3 spool valve)

- FB13S-MJZ
- FB16S-MJZ
- FB18S-MJZ
- FB20S-MJZ

管路系统选用件-导槽硬管 I、导槽油管 (件9、10)
Mast Piping Optional Parts



起升高度 LIFTING HEIGHT HT	PART-9		PART-10	备注 REMARK
	ID.	15387S-01000 Guider pipe I	ID.	
2000	69015761	15387S-01000/1	69012989	
2500	69017034	20387S-02000/2	69012991	
2700	69012971	30387S-03000/3	69012992	
3000	69017037	20387S-02000/5	69012994	
3300	69015768	15387S-01000/8	69012995	
3500	69012976	30387S-03000/8	69012997	
3700	69012977	30387S-03000/9	69012998	
4000	69017119	35387S-03000/13	69013002	
4500	69017038	20387S-02000/15	69013015	
5000	69017040	20387S-02000/17	69013006	
5500	69015779	15387S-01000/19	69013007	
6000	69015780	15387S-01020	69017076	

图43/fig. 43

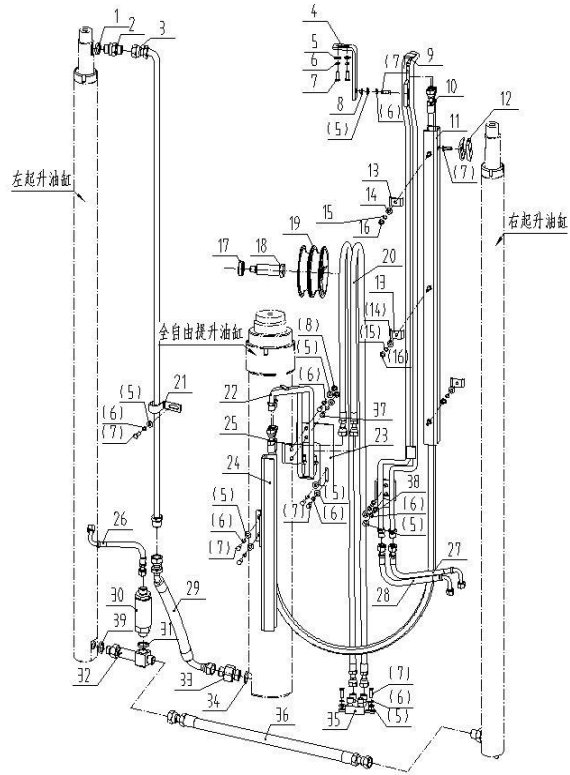
二级全自由门架管路系统(三联)/HYDRAULIC SYSTEM MAST(FULL FREE 2-STAGE MAST ZM) (3 spool valve)

- FB13S-MJZ
- FB16S-MJZ
- FB18S-MJZ

管路系统选用件-导槽 II、自由缸胶管 (件11、20)
Mast Piping Optional Parts

起升高度	PART-11	PART-20	备注

FB20S-MJZ

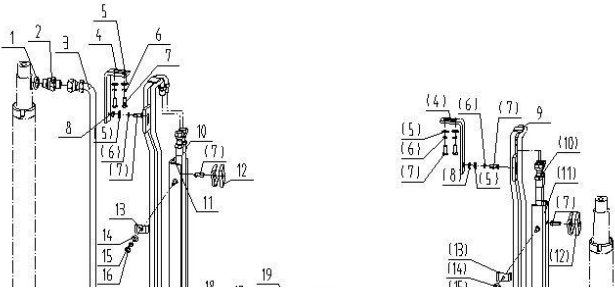


LIFTING HEIGHT	ID.	15387S-03000 Guide slot II	ID.	备注 REMARK
2000	69015782	15387S-03001	69012989	
2500	69013020	30387S-05002	69012991	
2700	69013022	30387S-05004	69012993	
3000	69013023	30387S-05005	69012993	
3300	69017130	35387S-04005	69012994	
3500	69013027	30387S-05008	69036320	
3700	69013028	30387S-05009	69013012	
4000	69017132	35387S-04013	69013001	
4500	69017049	20387S-03015	69016772	
5000	69017051	20387S-03017	69017072	
5500	69015800	15387S-03019	69016889	
6000	69015801	15387S-03020	69016650	

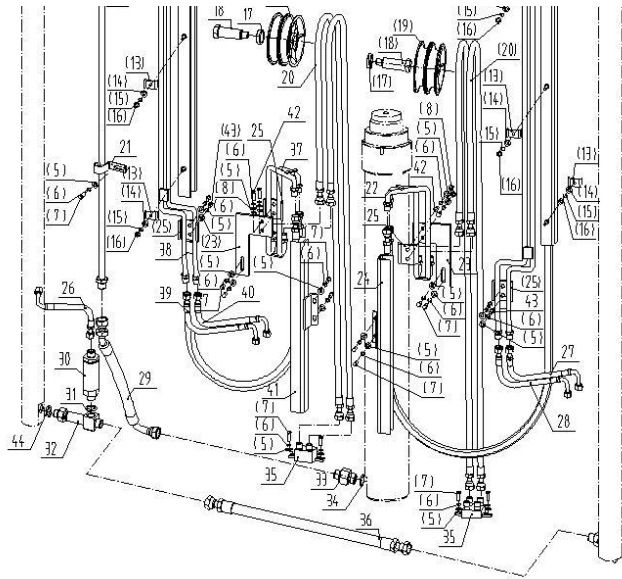
图44/Fig. 44

二级全自由门架管路系统(四联)/HYDRAULIC SYSTEM MAST(FULL FREE 2-STAGE MAST ZM)(4 spool valve)

FB13S-MJZ
FB16S-MJZ
FB18S-MJZ
FB20S-MJZ



序号 Item No.	物料ID ID.	代号 Part No.	名称 Description	数量 Q'ty	备注 Remark
A	N/A	—	Mast hydraulic system	1	
1	69022457	GB/T1235-24*2.4	O-ring 24*2.4	1	
2	69001443	35387-00001	Lift cylinder connector	1	
3	N/A	30387-01000	Pipe ass'y	1	AS NEEDED
4	69016706	30387S-00003	Positioning plate	2	
5	69000259	GB/T97.1-8	Washer 8	28	
6	69000062	GB/T93-8	Washer 8	28	
7	69000309	GB/T5783-M8*16-8.8J	Bolt M8*16	22	
8	69000112	GB/T6170-M8-8J	Nut M8	2	

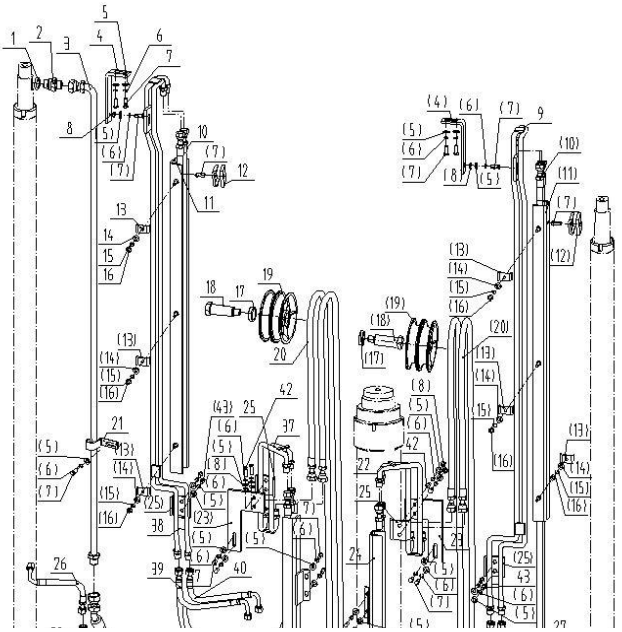


9	N/A	15387S-01000	Guider pipe I	1	AS NEEDED
10	N/A	30387S-01000	Guider H.P. hose	4	AS NEEDED
11	N/A	15387S-03000	Guider II	2	AS NEEDED
12	69056648	30387S-07001	Pipe clip	2	
-	69056702	30387S-07002	Pipe clip	2	
13	69016708	30387S-00004	Pipe clip II	6	
14	69000258	GB/T97.1-6	Washer 6	6	
15	69000060	GB/T93-6	Washer 6	6	
16	69000111	GB/T6170-M6-8J	Nut M6	6	
17	69000579	30386S-00004(8)	Sleeve	6	
18	69016660	30386S-00003	Step Bolt	2	
19	69016659	30386S-00002	Pulley	4	
20	N/A	16887S-01000	3rd spool H.P. hose	4	AS NEEDED
21	69016689	30387-00004	Pipe clip	1	

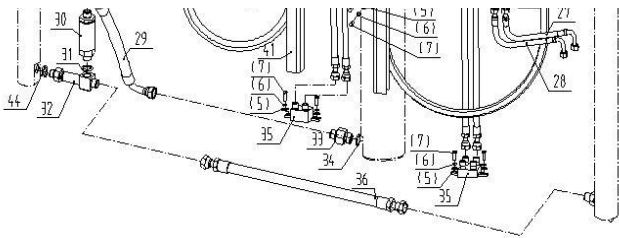
图44/Fig. 44

二级全自由门架管路系统(四联)/HYDRAULIC SYSTEM MAST(FULL FREE 2-STAGE MAST ZM)(4 spool valve)

FB13S-MJZ
 FB16S-MJZ
 FB18S-MJZ
 FB20S-MJZ



序号 Item No.	物料ID ID.	代号 Part No.	名称 Description	数量 Q'ty	备注 Remark
A	N/A	—	Mast hydraulic system	1	
22	69015802	15387S-04000	Cross connector I	1	
23	69016705	30387S-00002	Cross connector fixed plate	2	
24	69046620	15387S-02000	Guider I	1	
25	69016703	30387S-00001	Plate	4	
26	69001400	16886-00001	Flow regulator H.P. hose	1	
27	69016667	30386S-00007	Adjusting pipe H.P. hose III	1	
28	69016668	30386S-00008	Adjusting pipe H.P. hose IV	1	
29	69016686	30387-00001	Middle cylinder H.P. hose	1	
30	69002918	15386-01000	Flow regulator	1	
31	69124131	GB1235-22*2.4-G	O-ring 22*2.4	1	
32	69016646	30386-01000	Lift cylinder tee connector	1	
33	69012037	30387-00003	Middle cylinder connector	1	
34	69124132	GB1235-30*3.5-G	O-ring 30*3.5	1	
35	69012712	30387S-08000	Cross connector II	2	
36	69020534	15386-00001	H.P. hose	1	
37	69042640	15387SS-02000	Cross connector II	1	



38	N/A	15387SS-01000	Guider pipe II	1	AS NEEDED
39	69016683	30386SS-00003	Adjusting pipe H.P. hose III	1	
40	69016795	30386SS-00004	Adjusting pipe H.P. hose I	1	
41	69021862	15387SS-03000	Guider I	1	
42	69000206	GB/T5783-M8*40-8.8J	Bolt M8*40	4	
43	69000218	GB/T5783-M8*60-8.8J	Bolt M8*60	4	
44	69124142	GB/T3452.1-17*2.65-G	O-ring 17*2.65	1	

图44/Fig. 44

二级全自由门架管路系统(四联)/HYDRAULIC SYSTEM MAST(FULL FREE 2-STAGE MAST ZM)(4 spool valve)

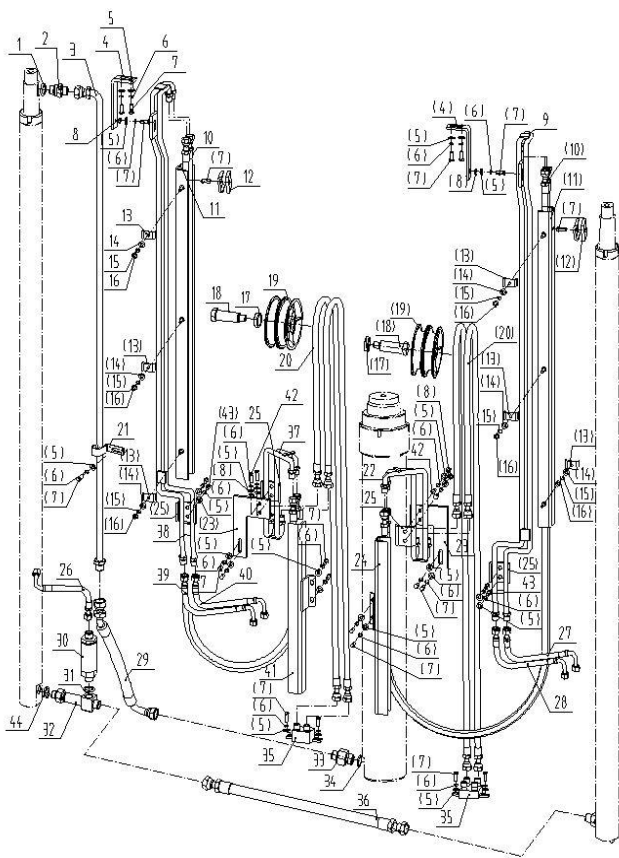
FB13S-MJZ

FB16S-MJZ

FB18S-MJZ

FB20S-MJZ

管路系统选用件-导槽硬管 II (件41)
Mast Piping Optional Parts

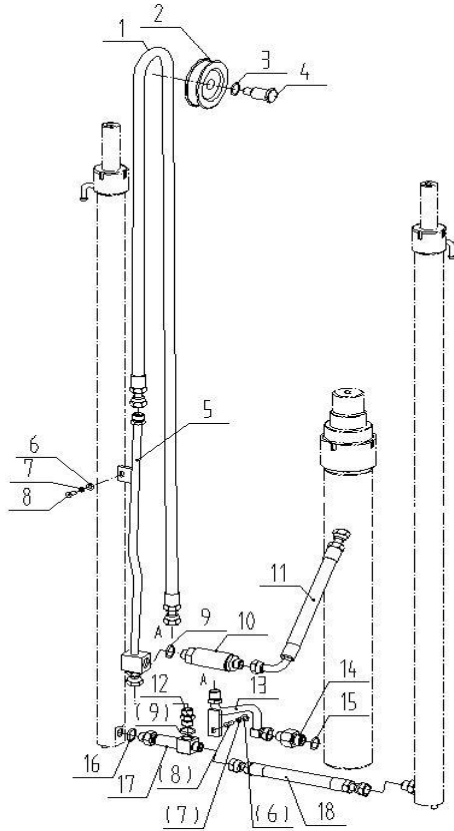


起升高度 LIFTING HEIGHT	PART-41		备注 REMARK
	ID.	15387SS-01000 Guide slot hose II	
2000	69021857	15387SS-01001	
2500	69017056	20387SS-01000/2	
2700	69016092	30387SS-01000/3	
3000	69017059	20387SS-01000/5	
3300	69043097	15387SS-01000/8	
3500	69016097	30387SS-01000/8	
3700	69016098	30387SS-01000/9	
4000	69017146	35387SS-01000/13	
4500	69017060	20387SS-01000/15	
5000	69017062	20387SS-01000/17	
5500	69021860	15387SS-01000/19	
6000	69021861	15387SS-01000/20	

图45/Fig. 45

三级全自由门架管路系统(二联)/HYDRAULIC SYSTEM MAST(FULL FREE 3-STAGE MAST ZM)(2 spool valve)

FB13S-MJZ
 FB16S-MJZ
 FB18S-MJZ
 FB20S-MJZ

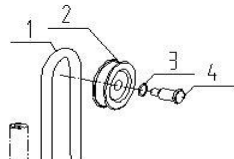


序号 Item No.	物料ID ID.	代号 Part No.	名称 Description	数量 Q'ty	备注 Remark
A	N/A	—	Mast hydraulic system	1	
1	N/A	16888-01000	Middle cylinder H.P. hose	1	
2	69012027	30388SS-00002	Pulley	1	
3	69000579	30386S-00004(8)	Sleeve	3	
4	69016768	30388-00004	Step Bolt	1	
5	69015144	16888-02000	Flow regulator connector	1	
6	69000259	GB/T97.1-8	Washer 8	2	
7	69000062	GB/T93-8	Washer 8	2	
8	69000309	GB/T5783-M8*16-8.8J	Bolt M8*16	2	
9	69022457	GB/T1235-24*2.4	O-ring 24*2.4	1	
10	69002918	15386-01000	Flow regulator	1	
11	69011951	15388-00001	Flow regulator H.P. hose	1	
12	69016767	30388-00003	Connector	1	
13	69012314	16888-03000	Middle cylinder pipe	1	
14	69006260	30388-00005	Middle cylinder connector	1	
15	69124132	GB1235-30*3.5-G	O-ring 30*3.5	1	
16	69124142	GB/T3452.1-17*2.65-G	O-ring 17*2.65	1	
17	69016646	30386-01000	Lift cylinder tee connector	1	
18	69020534	15386-00001	H.P. hose	1	

图45/Fig. 45

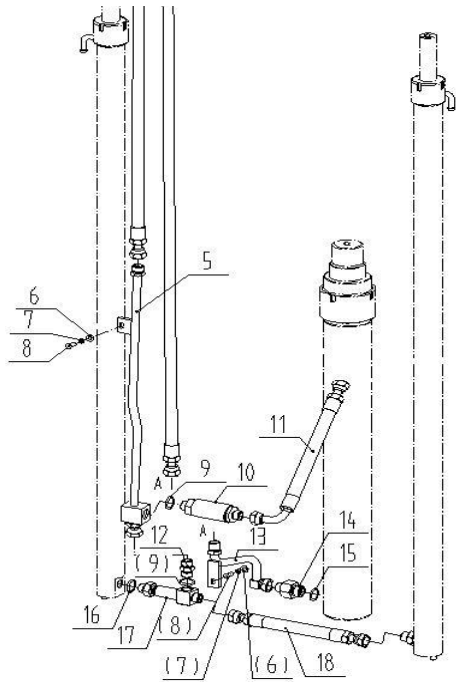
三级全自由门架管路系统(二联)/HYDRAULIC SYSTEM MAST(FULL FREE 3-STAGE MAST ZM) (2 spool valve)

FB13S-MJZ
 FB16S-MJZ
 FB18S-MJZ
 FB20S-MJZ



管路系统选用件-全自由缸进油胶管(件1)
 Mast Piping Optional Parts

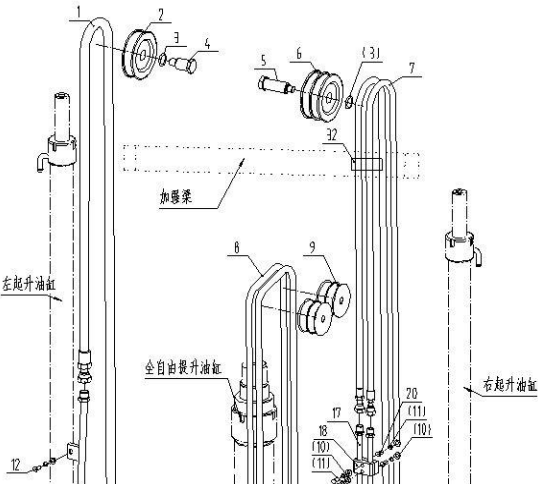
起升高度 LIFTINGHEI GHT	PART-1			备注 REMARK
	ID.	16888-01000 Lateral shift hose I		
3600	69012316	16888-01001		
4000	69012317	16888-01002		
4350	69012315	16888-01003		
4500	69012318	16888-01004		



4800	69012319	16888-01005		
5000	69012320	16888-01006		
5400	69012321	16888-01007		
5500	69012322	16888-01008		
6000	69012323	16888-01009		
6500	69012324	16888-01010		

图46/Fig. 46 三级全自由门架管路系统(三联)/HYDRAULIC SYSTEM MAST(FULL FREE 3-STAGE MAST ZM) (3 spool valve)

FB13S-MJZ
 FB16S-MJZ
 FB18S-MJZ
 FB20S-MJZ



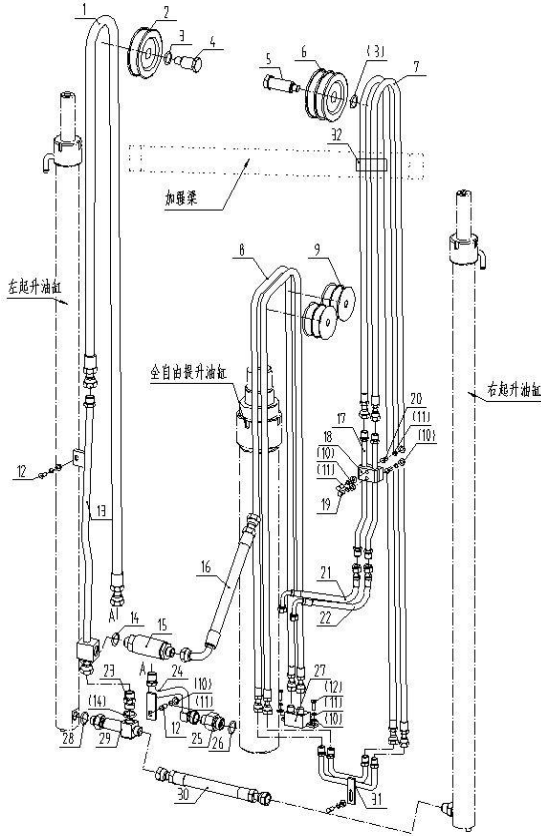
序号 Item No.	物料ID ID.	代号 Part No.	名称 Description	数量 Q'ty	备注 Remark
A	N/A	—	Mast hydraulic system	1	
1	N/A	16888-01000	Middle cylinder H.P. hose	1	AS NEEDED
2	69012027	30388SS-00002	Pulley	1	
3	69000579	30386S-00004(8)	Sleeve	5	
4	69016768	30388-00004	Step Bolt	1	
5	69016660	30386S-00003	Step Bolt	1	
6	69004319	15388S-00001	Double groove pulley	1	
7	N/A	16888S-01000	Pulley H.P. hose I	2	AS NEEDED
8	N/A	16888S-02000	Pulley H.P. hose II	2	AS NEEDED
9	69000686	15388S-00002	Double groove pulley	2	
10	69000259	GB/T97.1-8	Washer 8	4	
11	69000062	GB/T93-8	Washer 8	4	
12	69000309	GB/T5783-M8*16-8.8J	Bolt M8*16	4	
13	69015144	16888-02000	Flow regulator connector	1	

图46/ Fig. 46

三级全自由门架管路系统(三联)/HYDRAULIC SYSTEM MAST(FULL FREE 3-STAGE MAST ZM) (3 spool valve)

- FB13S-MJZ
- FB16S-MJZ
- FB18S-MJZ
- FB20S-MJZ

管路系统选用件-侧移胶管 I、侧移胶管 II (件7、8)
Mast Piping Optional Parts

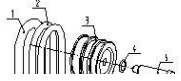


起升高度 LIFTING HEIGHT GHT	PART-7		PART-8	备注 REMARK
	ID.	16888S-01000 Pitch hose I	ID.	
3600	69016819	30388S-02005	69016866	
4000	69016786	30388S-02004	69013001	
4350	69016629	20388S-01007	69016639	
4500	69016889	30388S-02008	69013002	
4800	69013007	30387S-01019	69016820	
5000	69016793	30388S-02010	69016785	
5400	69016652	30386S-01011	69017072	
5500	69016780	30388S-01008	69016643	
6000	69016653	30386S-01013	69016629	
6500	69016908	35388S-01009	69013017	

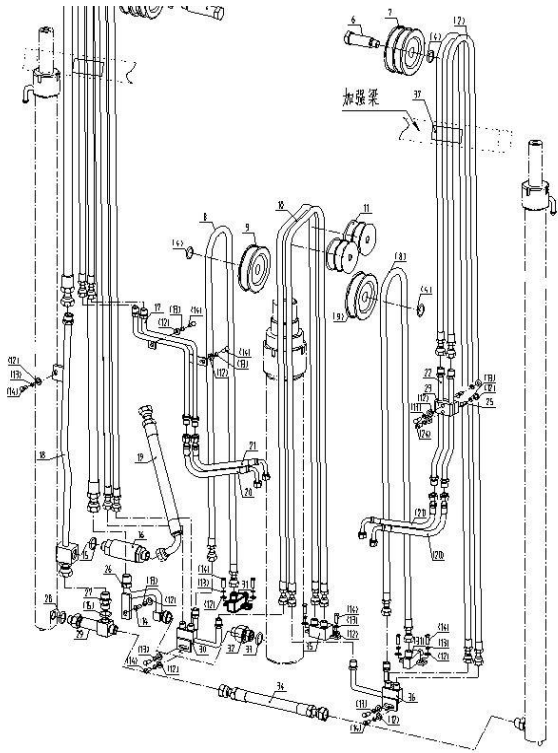
图47/ Fig. 47

三级全自由门架管路系统(四联)/HYDRAULIC SYSTEM MAST(FULL FREE 3-STAGE MAST ZM) (4 spool valve)

- FB13S-MJZ
- FB16S-MJZ
- FB18S-MJZ
- FB20S-MJZ



序号 Item No.	物料ID ID.	代号 Part No.	名称 Description	数量 Q'ty	备注 Remark
A	N/A	—	Mast hydraulic system	1	
1	N/A	16888-01000	Middle cylinder H.P. hose	1	AS NEEDED
2	N/A	16888S-01000	Pulley H.P. hose I	4	AS NEEDED
3	69010371	15388S-00002	Pulley	1	

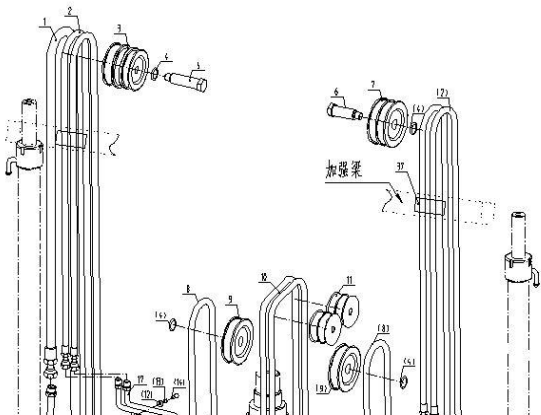


4	69000579	30386S-00004(8)	Sleeve	5	
-	69008450	30386S-00004(11.5)	Sleeve	2	
5	69020998	15388SS-00001	Step Bolt	1	
6	69016660	30386S-00003	Step Bolt	1	
7	69004319	15388S-00001	Double groove pulley	2	
8	N/A	15388S-02000	Pulley H.P. hose II	2	AS NEEDED
9	69012027	30388SS-00002	Pulley	1	
10	N/A	16888S-02000	Pulley H.P. hose II	2	AS NEEDED
11	69000686	15388S-00002	Double groove pulley	2	
12	69000259	GB/T97.1-8	Washer 8	16	
13	69000062	GB/T93-8	Washer 8	16	
14	69000309	GB/T5783-M8*16-8.8J	Bolt M8*16	12	
15	69022457	GB/T1235-24*2.4	O-ring 24*2.4	1	
16	69002918	15386-01000	Flow regulator	1	
17	69023907	15388SS-04000	Connecting pipe	1	
18	69015144	16888-02000	Flow regulator connector	1	
19	69011951	15388-00001	Flow regulator H.P. hose	1	
20	69016667	30386S-00007	Adjusting pipe H.P. hose III	2	
21	69016668	30386S-00008	Adjusting pipe H.P. hose IV	2	

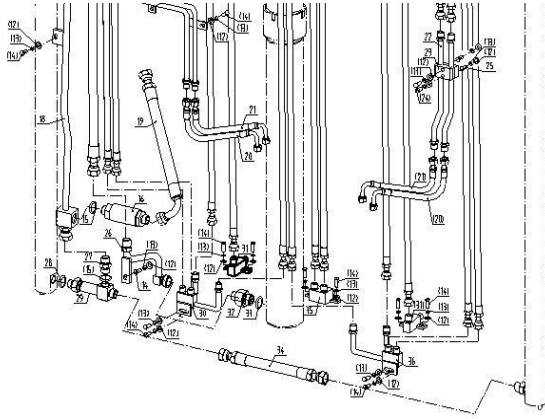
图47/Fig. 47

三级全自由门架管路系统(四联)/HYDRAULIC SYSTEM MAST(FULL FREE 3-STAGE MAST ZM) (4 spool valve)

FB13S-MJZ
 FB16S-MJZ
 FB18S-MJZ
 FB20S-MJZ



序号 Item No.	物料ID ID.	代号 Part No.	名称 Description	数量 Q'ty	备注 Remark
A	N/A	—	Mast hydraulic system	1	
22	69016675	30386S-02000	Adjusting pipe	2	
23	69066450	30386S-00001/B	Clip	1	
24	69000203	GB/T5783-M8*30-8.8J	Bolt M8*30	2	
25	69000200	GB/T5783-M8*25-8.8J	Bolt M8*25	2	
26	69012314	16888-03000	Middle cylinder pipe	1	
27	69006260	30388-00005	Middle cylinder connector	1	
28	69124142	GB/T3452.1-17*2.65-G	O-ring 17*2.65	1	
29	69016646	30386-01000	Lift cylinder tee connector	1	
30	69011782	15388SS-02000	Cross connector II	1	
31	69016830	30388SS-07000	Quick change two-way	2	
32	69006260	30388-00005	Middle cylinder connector	1	



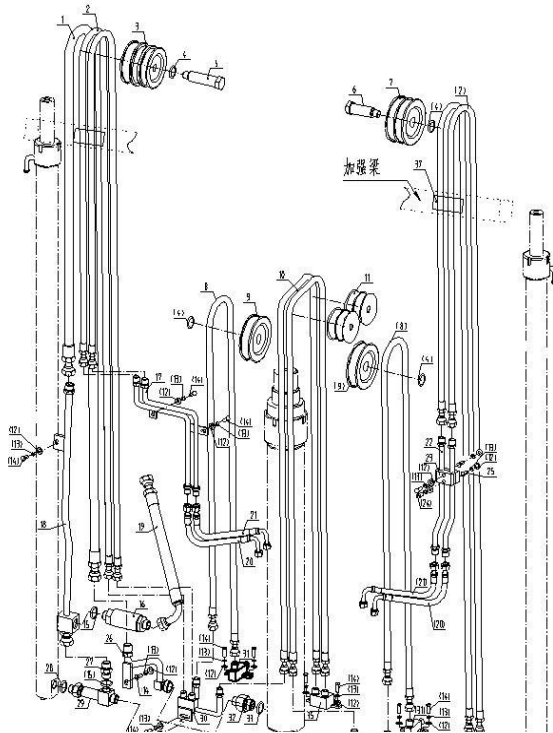
33	69124132	GB1235-30*3.5-G	O-ring 30*3.5	1	
34	69020534	15386-00001	H.P. hose	1	
35	69012712	30387S-08000	Cross connector II	1	
36	69011781	15388SS-03000	Cross connector II	1	
37	69069602	S30488S-00003	Clip	2	

图47/Fig.47

三级全自由门架管路系统(四联)/HYDRAULIC SYSTEM MAST(FULL FREE 3-STAGE MAST ZM) (4 spool valve)

FB13S-MJZ
 FB16S-MJZ
 FB18S-MJZ
 FB20S-MJZ

管路系统选用件-侧移胶管 II (件2)
 Mast Piping Optional Parts



起升高度 LIFTING HEIGHT	PART-8		备注 REMARK
	ID.	15388S-02000 Lateral shift hose II	
3600	69012998	30387S-01010	
4000	69017069	30386S-01002	
4350	69016639	20388SS-01005	
4500	69017070	30386S-01003	
4800	69013015	30387S-02009	
5000	69016786	30388S-02004	
5400	69016643	20388SS-01009	
5500	69013016	30387S-02010	
6000	69067309	35BJ88S-01001	
6500	69013007	30387S-01019	

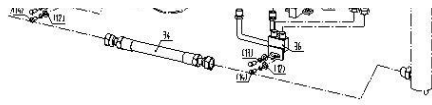


图48/Fig. 48

标牌安装(一)内销/Decal assemble (sale in domestic market)

FB13S-MJZ FB16S-MJZ FB18S-MJZ FB20S-MJZ	序号 Item No.	代号 Part No.	名称 Description	数量 Q'ty	备注 Remart	
	1	69136434	M3039100001	Safety decal	2	
	2	69136445	M2579100001	Lubrication chart decal	1	
	3	69000725	M3039100002-1	Mast decal(maximal)	2	
	4	69089822	MS1679100002	Model decal	2	FB16S-MJZ
	—	69089823	MS1879100001	Model decal	2	FB18S-MJZ
	—	69096263	MS2079100008	Model decal	2	FB20S-MJZ 借用
	5	69085830	M2579100005	Nameplate	1	
	—	69089376	M2579100014	Nameplate	1	
	—	69089376	M2579100014	Nameplate	1	
	6	69136436	M3039100013	Standing forbidden decal	1	
	7	69074028	A25791-00004-1	Brand decal	1	
	8	69138782	M3039100003	Turning lights decal	1	
	9	69136435	M3039100004	Sling decal (small)	1	
	10	69136249	M3039100033	Mast caution'	1	
	11	69136437	M3039100021	Sling decal	1	
	12	69136429	M2579100007	Operation instruction decal	1	
	13	69136430	M2579100009	Battery operation rules decal	1	
	14	69136431	M2579100010	Charging instruction	1	
	15	69136432	M2579100011	Battery maintenance instruction	1	
	16	69085873	MS1679100004-2	Load chart decal	1	三支点.1.6T三级门架.中文
	—	69005678	MS1679100004-1	Load chart decal	1	三支点.1.6T标准门架.中文
	—	69085877	MS1879100004-2	Load chart decal	1	三支点.1.8T三级门架.中文
	—	69085874	MS1879100004-1	Load chart decal	1	三支点.1.8T标准门架.中文

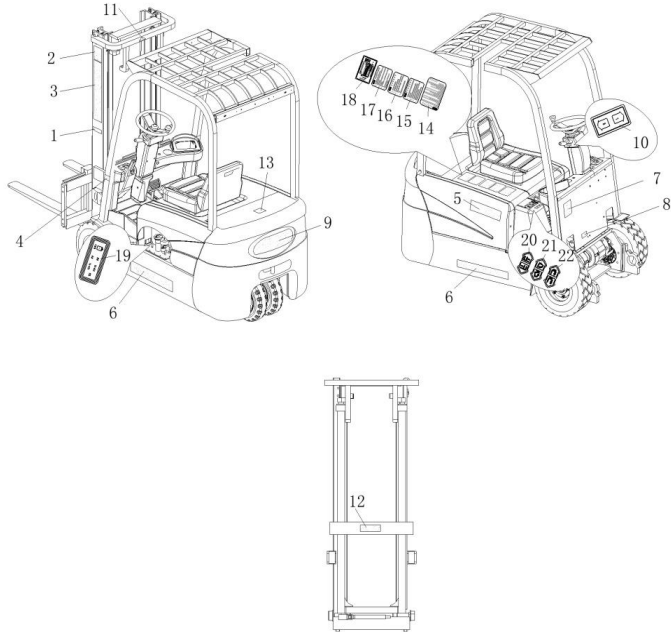
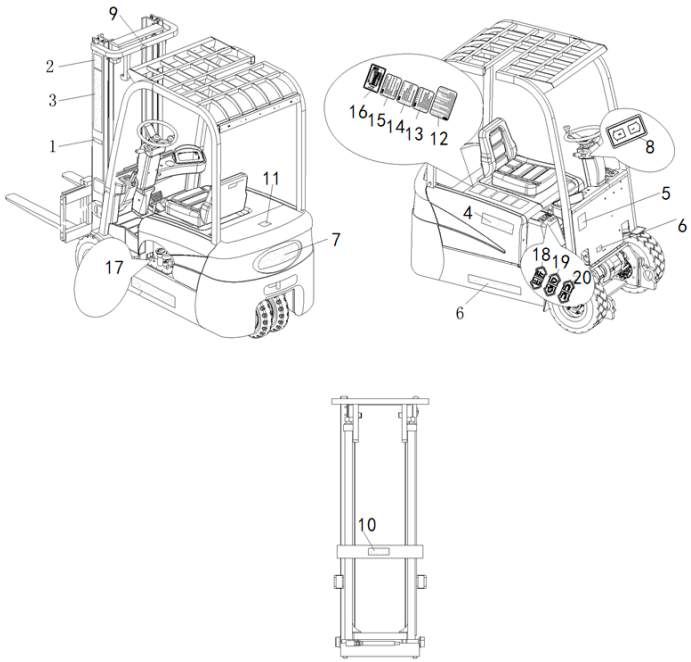


图48/Fig. 48

标牌安装(一)内销/Decal assemble (sale in domestic market)

FB13S-MJZ FB16S-MJZ FB18S-MJZ FB20S-MJZ	序号 Item No.	代号 Part No.	名称 Description	数量 Q'ty	备注 Remart	
	—	69085878	MS2079100004-2	Load chart decal	1	三支点.2.0T三级门架.中文
	—	69085881	MS2079100004-1	Load chart decal	1	三支点.2.0T标准门架.中文

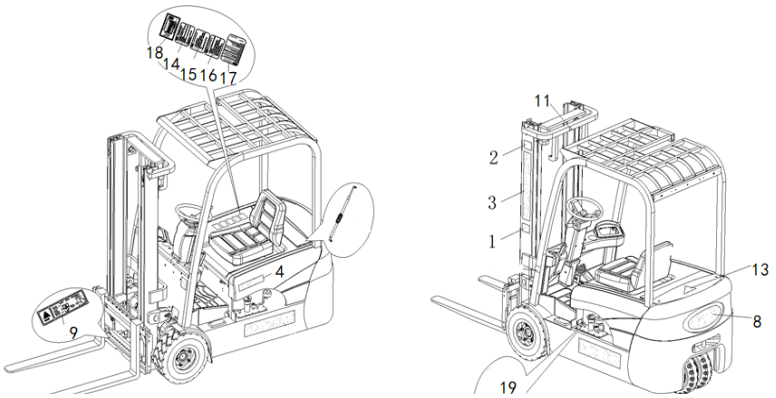


17	69020452	15Q91C-00006	Hydraulic oil decal	1	
18		M3039100016	Operation decal (sideshift)	1	
19		M3039100015	Operation decal (tilt)	1	
20		M3039100017	Operation decal (lift & lowering)	1	

图49/Fig. 49 标牌安装(一) 外销/Decal assemble (sale in overseas market)

FB13S-MJZ
FB16S-MJZ
FB18S-MJZ
FB20S-MJZ

序号 Item No.		代号 Part No.	名称 Description	数量 Q'ty	备注 Remart
1	69136434	M3039100001	Safety decal	2	
2		M25791W00001	Lubrication chart decal	1	
3	69000725	M3039100002-1	Mast decal(maximal)	2	
4	69089822	MS1679100002	Model decal	2	FB16S-MJZ
—	69089823	MS1879100001	Model decal	2	FB18S-MJZ
—	69096263	M2079100002	Model decal	2	FB20S-MJZ/MJD
5	69095815	M25791W00003-1	Nameplate	1	
—	69089374	M25791W00008	Nameplate	1	
—	69089375	M25791W00009	Nameplate	1	
—	69088850	M25791W00003	Nameplate	1	
—	69090179	M25791W00013	Nameplate	1	
—	69089372	M25791W00010	Nameplate	1	



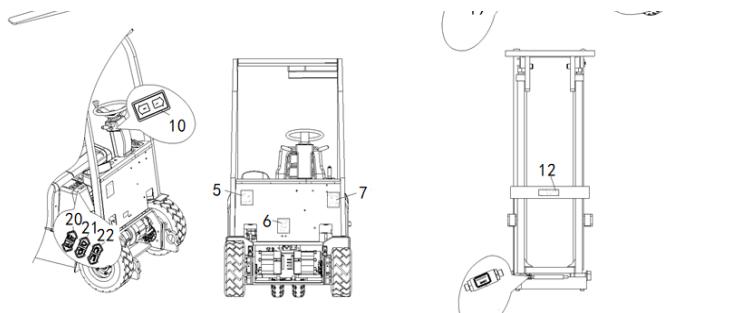
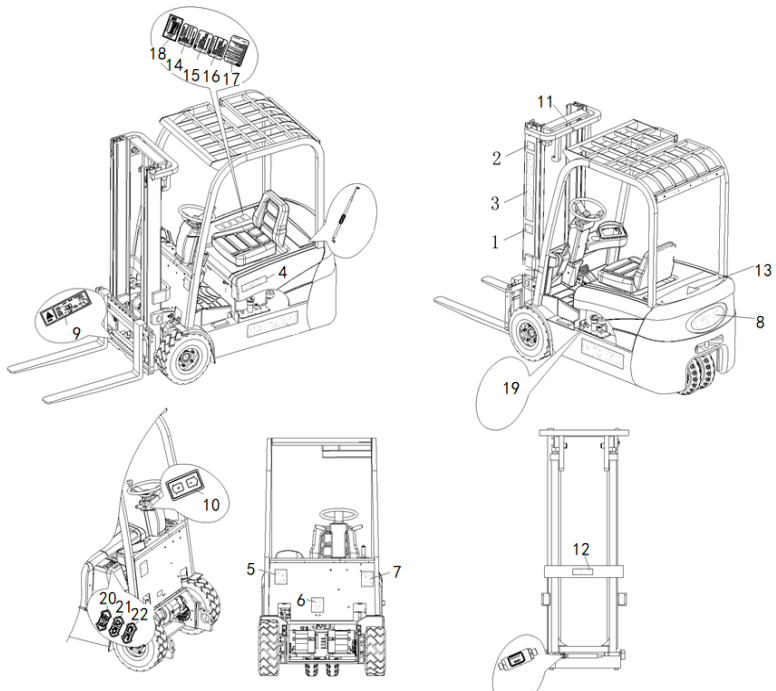


图49/ Fig. 49

标牌安装(一) 外销/Decal assemble (sale in overseas market)

FB13S-MJZ
FB16S-MJZ
FB18S-MJZ
FB20S-MJZ



序号 Item No.	代号 Part No.	名称 Description	数量 Q'ty	备注 Remart	
6	69136436	M3039100013	Standing forbidden decal	1	
7		M30391W00016	CE decal	1	
8	69009047	M3039100007-1	Brand decal	1	
9	N/A	M30391W00020	Hook adjusting decal	2	停用CANCEL
10	69138782	M3039100003	Turning lights decal	1	
11	69136435	M3039100004	Sling decal (small)	1	
12	69136249	M3039100033	Pinch caution decal	1	
13	69136437	M3039100021	Sling decal	1	
14		M25791W00004	Operation instruction decal	1	
15		M25791W00005	Battery operation rules decal	1	
16		M2579100006	Charging instruction	1	
17		M25791W00007	Battery maintenance instruction	1	
18	69085872	MS16791W00004-2	Load chart decal	1	三支点.1.6T三级门架.英文
—	69085871	MS16791W00004-1	Load chart decal	1	三支点.1.6T标准门架.英文
—	69085876	MS18791W00004-2	Load chart decal	1	三支点.1.8T三级门架.英文
—	69085875	MS18791W00004-1	Load chart decal	1	三支点.1.8T标准门架.英文
—	69085879	MS20791W00004-2	Load chart decal	1	三支点.2.0T三级门架.英文
—	69085880	MS20791W00004-1	Load chart decal	1	三支点.2.0T标准门架.英文
19	69138787	M2039100004	Hydraulic oil decal	1	
20		M3039100016	Operation decal (sideshift)	1	
21		M3039100015	Operation decal (tilt)	1	
22		M3039100017	Operation decal (lift & lowering)	1	